

# ADBL-A321 Optical Finger Navigation Lens



## Data Sheet



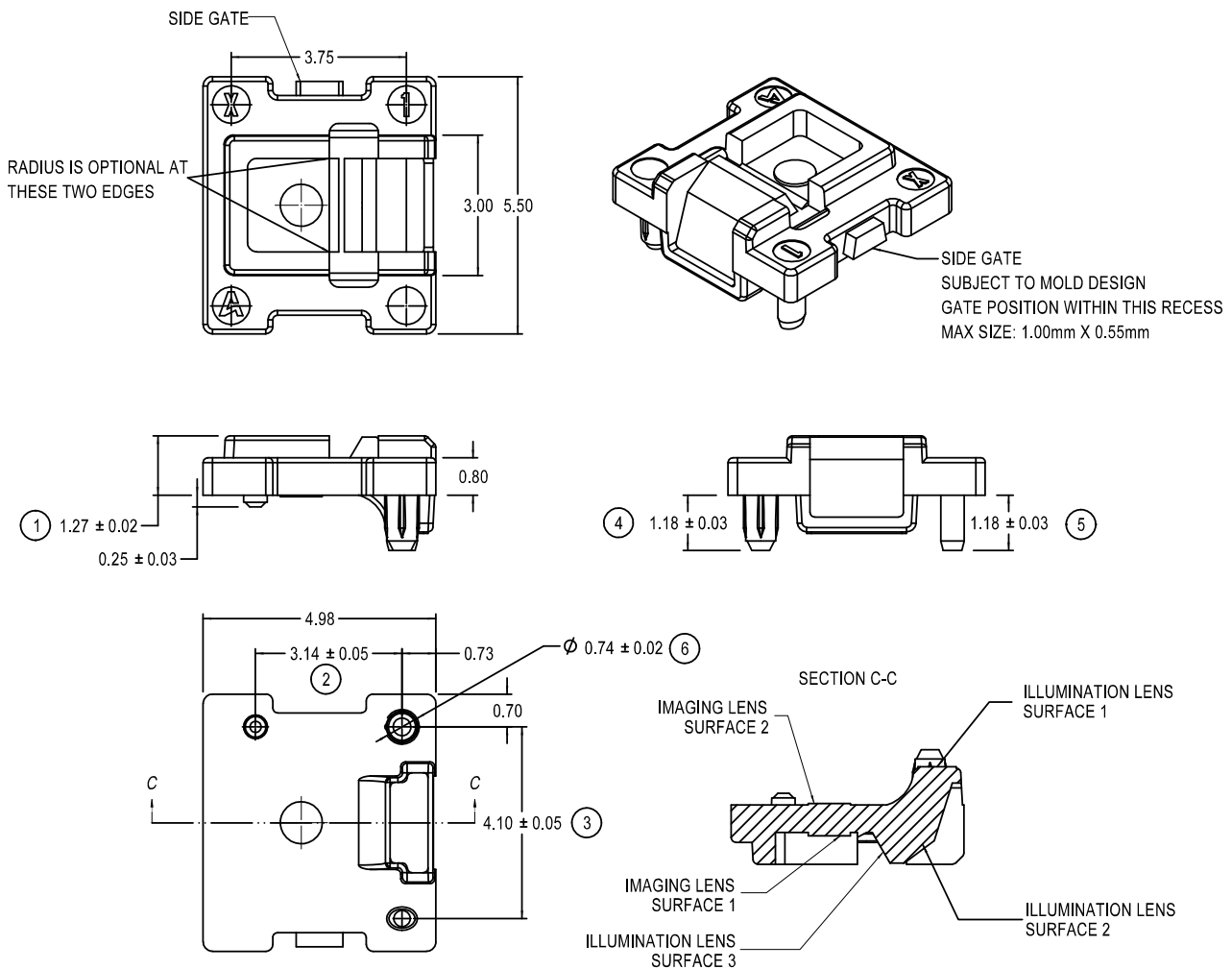
Lead (Pb) Free  
RoHS 6 fully  
compliant



### Description

The ADBL-A321 Optical Finger Navigation Lens is designed for use with Avago Technologies ADBS-A320 Optical Finger Navigation sensor. The ADBL-A321 lens provides the direct illumination and optical imaging necessary for proper operation of the sensor. ADBL-A321 lens is a precision molded optical component and should be handled with care to avoid scratching of the optical surfaces. The lens material is polycarbonate. Cyanoacrylate based adhesives should not be used as they will cause lens material deformation.

Lens should not be subjected to temperatures higher than 85°C for 30 minutes during assembly. Lens can be operated in a temperature range from -20°C to 80°C.



#### NOTES:

1. DIMENSIONS IN MILLIMETERS.
2. DIMENSIONAL TOLERANCES : ± 0.1mm UNLESS OTHERWISE SPECIFIED.
3. ANGULAR TOLERANCES : ± 3°.
4. MAXIMUM FLASH : + 0.2mm.
5. ALL CRITICAL DIMENSIONS ARE INDICATED BY A NUMBER ENCLOSED IN A CIRCLE.

Figure 1. ADBL-A321 Optical Finger Navigation lens outline drawings and details

## Mounting Instructions for the ADBL-A321 Lens to the Base Plate

An IGES format drawing file with design specifications for mouse base plate features is available.

These features are useful in maintaining proper positioning and alignment of the ADBL-A321 when used with the Avago Technologies Optical Sensor. This file can be obtained by contacting your local Avago Technologies sales representative.

## Handling Instructions for the ADBL-A321 Lens

Several careful handling instructions must be observed when handling lens. They are listed below:-

1. Pick up the lens at the lens side using a pair of tweezers from the tray. See figure 2.
2. Do not touch the optical surfaces as highlighted in red of the lens. See figure 3a, 3b.
3. It is recommended to use clean dry air CDA air blow system to clean the lens before assembly to minimize particle contamination.



Figure 2. Handling lens

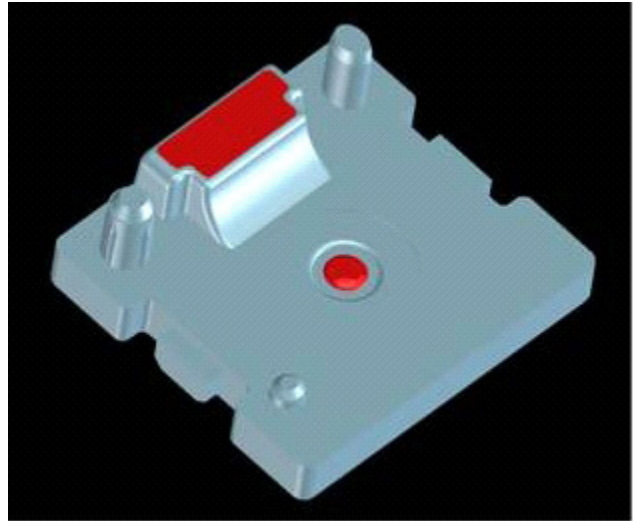


Figure 3a. Lens bottom view

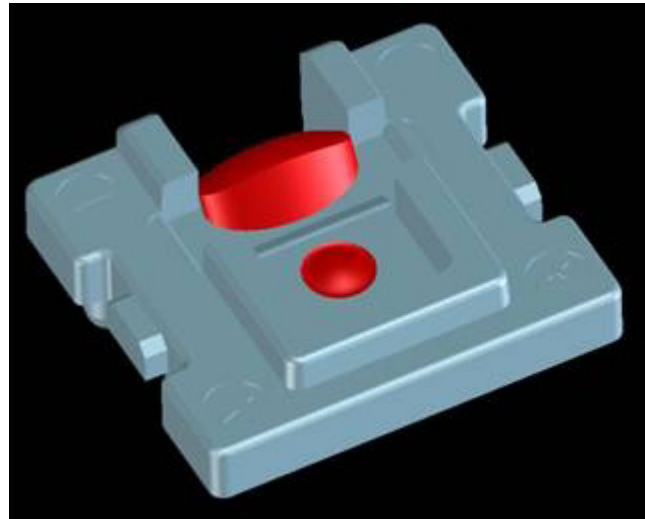


Figure 3b. Lens top view

## Packaging information

There are two type of lens packaging-lens tray type 1 and type 2. The lens packaging information shown below.

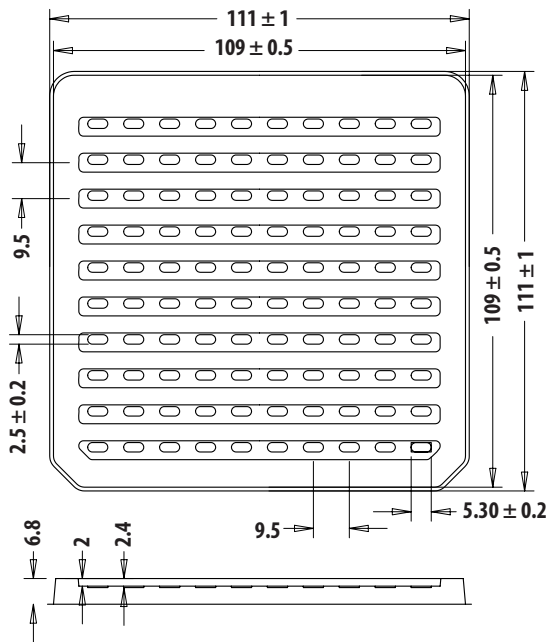


Figure 4a. Lens tray type 1 - top cover

### Notes:

1. Max draft to be 5 deg. unless stated
2. All radii to be 1.25 unless otherwise stated
3. All surface resistivity  $>10e12$  Ohm/sq unless otherwise stated
4. All cells are identical

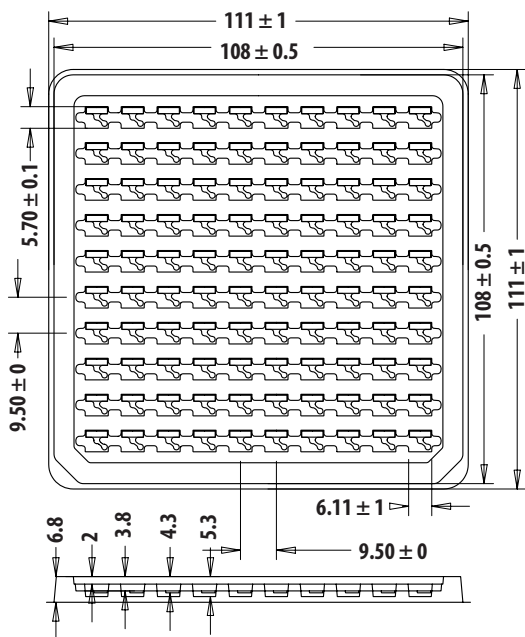


Figure 4b. Lens tray type 1 - base

### Notes:

1. Max draft to be 5 deg. unless stated
2. All radii to be 1.25 unless otherwise stated
3. All surface resistivity  $>10e12$  Ohm/sq unless otherwise stated
4. All cells are identical

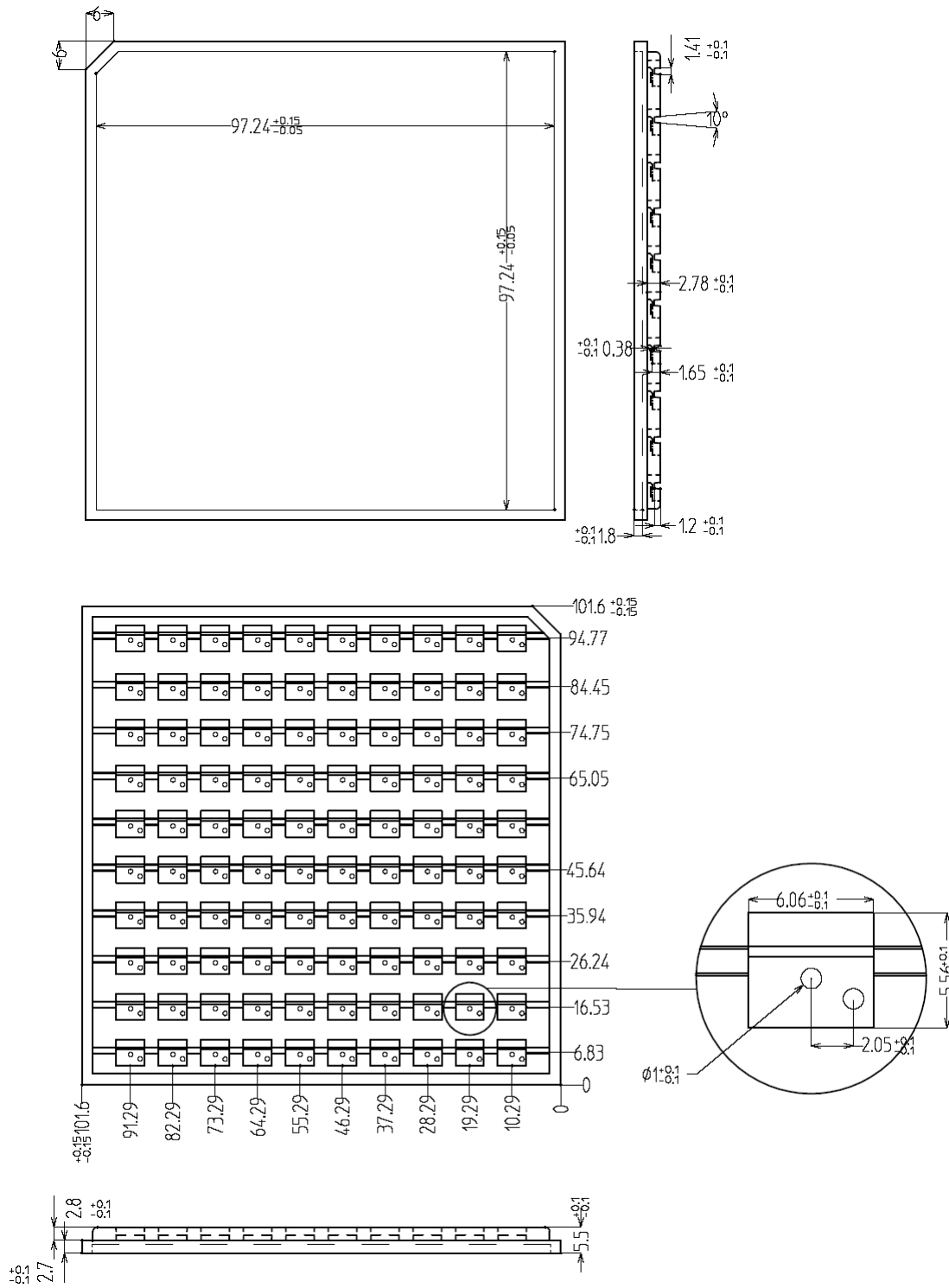


Figure 5. Lens tray type 2

For product information and a complete list of distributors, please go to our web site: [www.avagotech.com](http://www.avagotech.com)

Avago, Avago Technologies, and the A logo are trademarks of Avago Technologies in the United States and other countries. Data subject to change. Copyright © 2005-2010 Avago Technologies. All rights reserved. AV02-1911EN - December 21, 2010

