

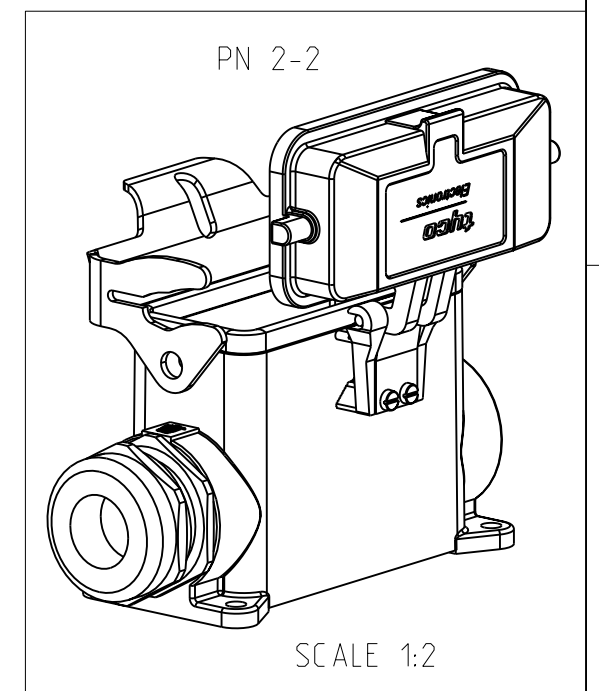
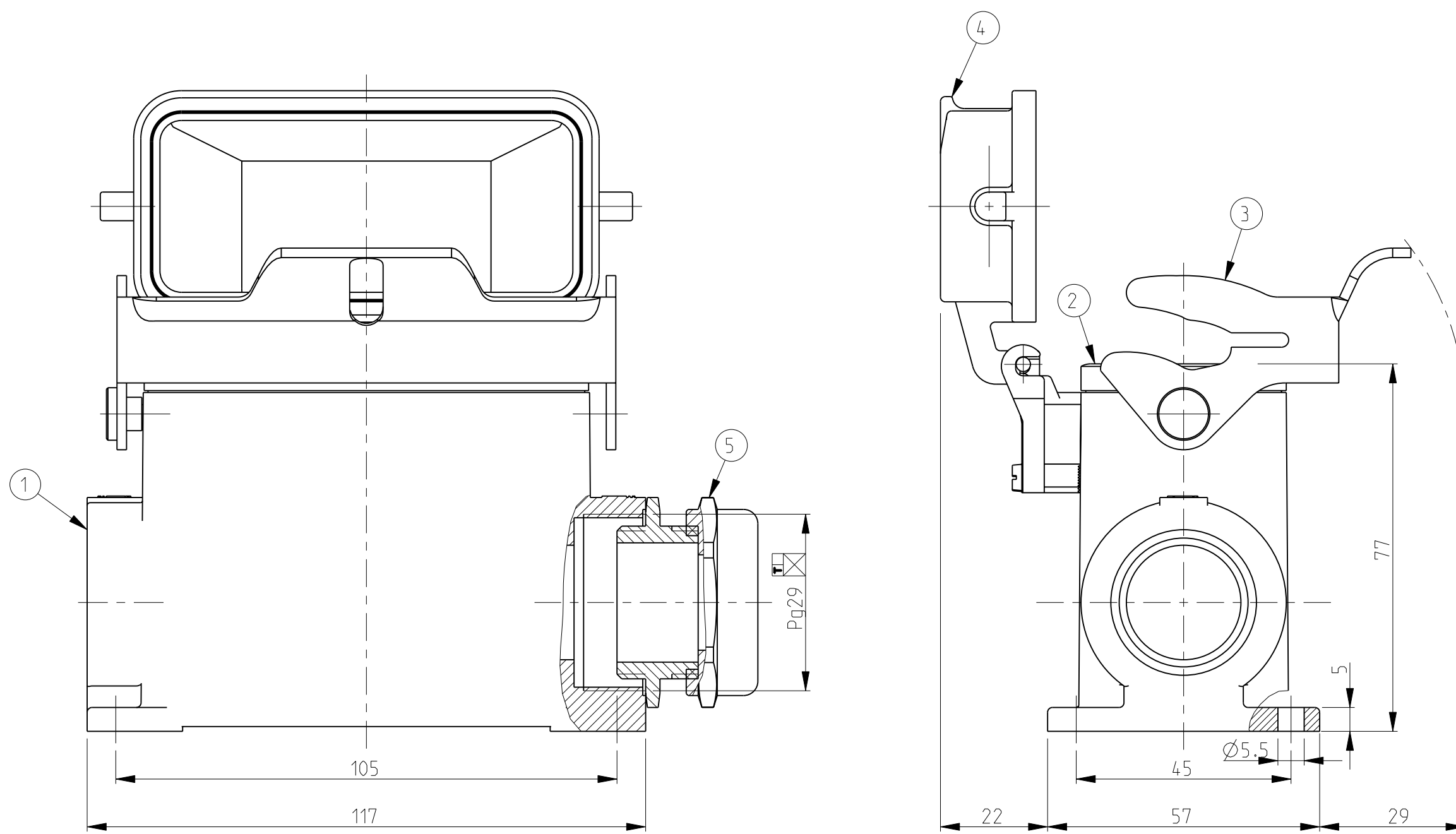
THIS DRAWING IS UNPUBLISHED. RELEASED FOR PUBLICATION .2000.  
 © COPYRIGHT 1998 BY TYCO ELECTRONICS CORPORATION. ALL RIGHTS RESERVED.

LOC	DIST	REVISIONS				
P	LTR	DESCRIPTION	DATE	DWN	APVD	
A1	-					
A2		Released as per ECR-08-015813	23.JUN.2008	SP	TS	

NOTES.

- 1 Material:Housing:Aluminium Diecasting Alloy  
Seals:Neoprene
- 2 Surface:Varnish grey  
-Aluminium Oxide +Varnish Black
- 3 Varnish on the inside not necessary
- 4 Packaging  
Quantity 5 Pieces in a box

PN 2-2



QTY	DESCRIPTION	MATERIAL	SURFACE	COLOR	ITEM NO	REMARKS
1	Gland fitting	Brass	Nickel plated	Blue	5	Pg29
1	Cover HB	Aluminium	Aluminium oxide	Black	4	
1	LB-Side clip	Stainless steel	Blank		3	
1	Profile seal	Neoprene		Black	2	
1	Surface mounted housing side entry HD-K	Aluminium	Aluminium oxide	Black	1	

ORDERING TEXT  
 HD-K.40.SGD-LB.1.29

THIS DRAWING IS A CONTROLLED DOCUMENT FOR TYCO ELECTRONICS CORPORATION. IT IS SUBJECT TO CHANGE AND THE CONTROLLING ENGINEERING ORGANIZATION SHOULD BE CONTACTED FOR THE LATEST REVISION.		DWN Schneider 23.09.03	Tyco Electronics Tyco Electronics,AMP.GmbH D-53819,Neunkirchen,Germany	
DIMENSIONS: mm		CHK Schweiger 23.09.03	NAME Surface mounted housing side entry HD-K.40.SGD-LB.1.29	
TOLERANCES UNLESS OTHERWISE SPECIFIED: h11D g6/f7 h13D g9/f8 h14D g9/f8 h16D g9/f8 h18D g9/f8 h20D g9/f8 h24D g9/f8 h30D g9/f8 h40D g9/f8 h48D g9/f8 h60D g9/f8 h80D g9/f8 h100D g9/f8 ANGLES ±		APVD -	PRODUCT SPEC	RESTRICTED TO
MATERIAL FINISH		APPLICATION SPEC	WEIGHT	SIZE CAGE CODE DRAWING NO
		CUSTOMER DRAWING	A2	A2 00779 C-1102592
		SCALE 1:1	SHEET 1 OF 1	REV A2