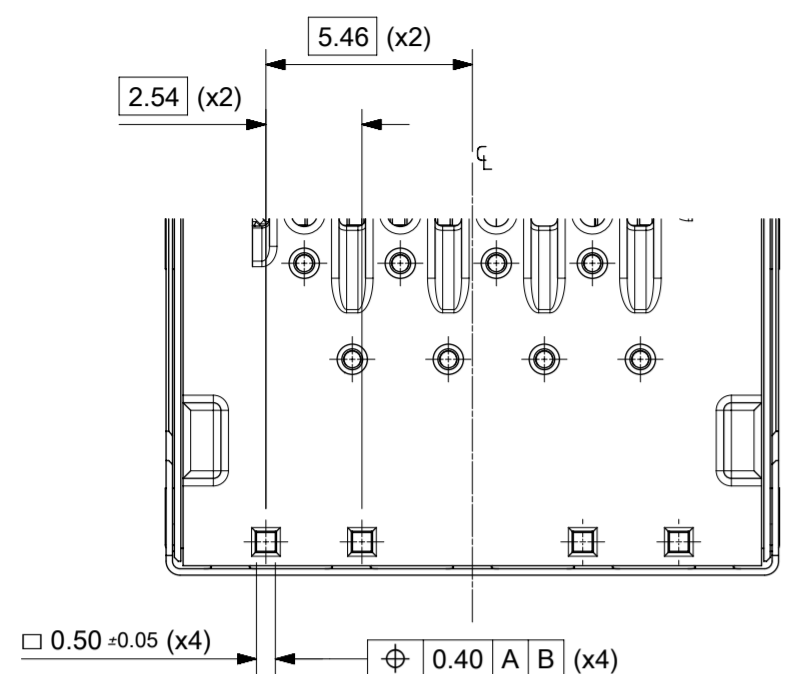
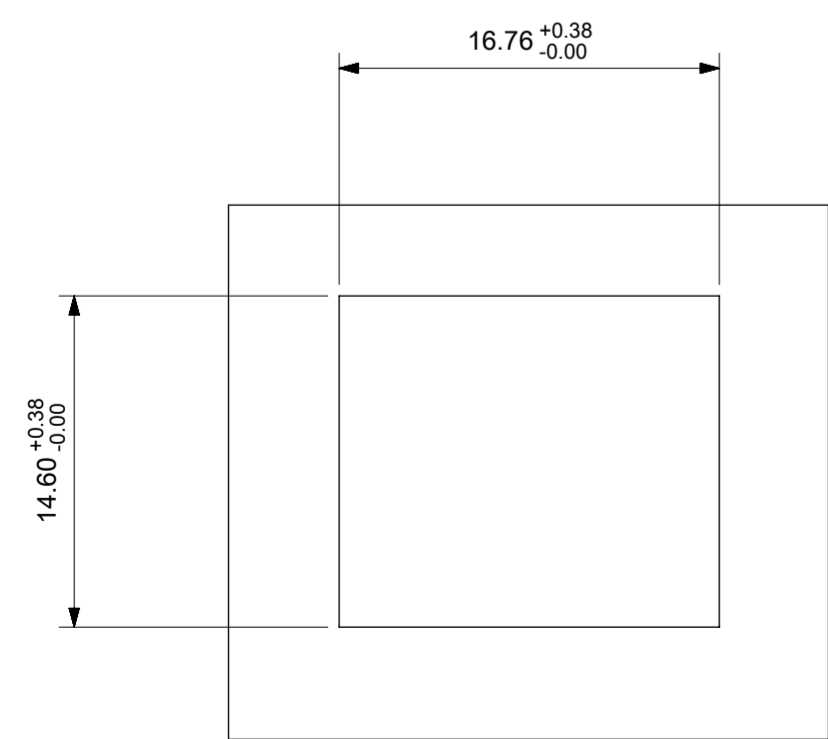
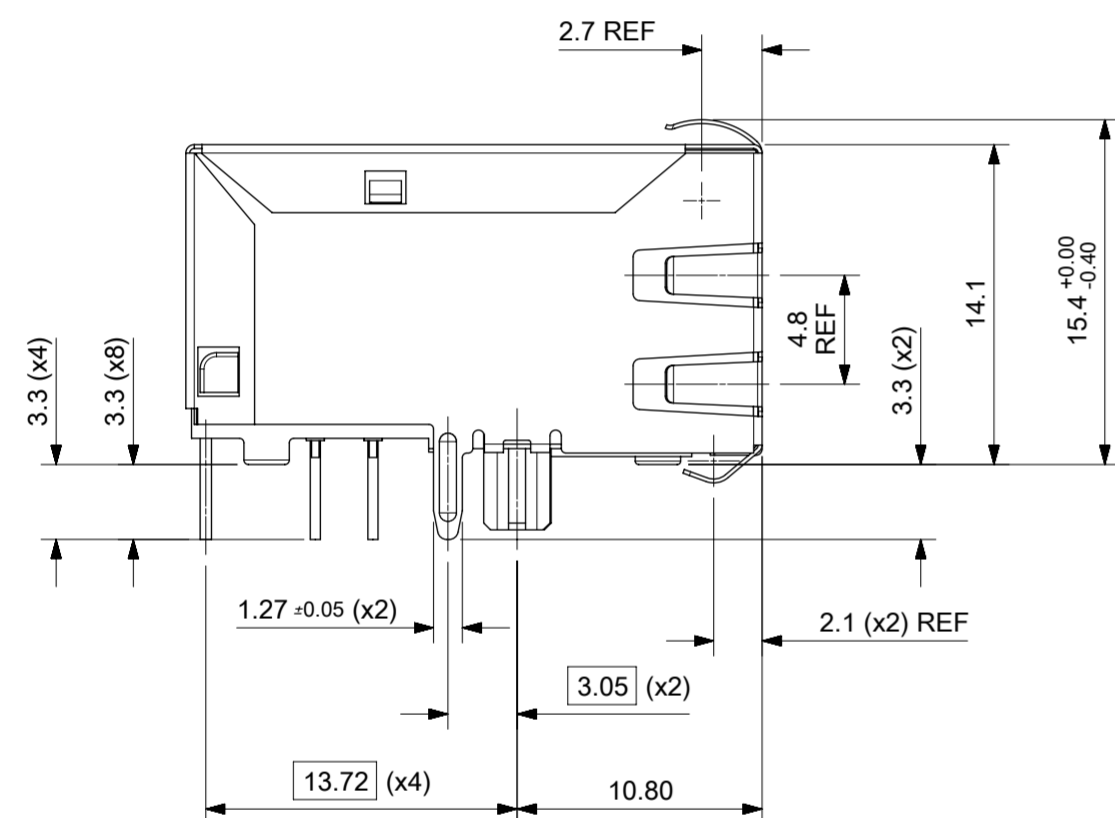


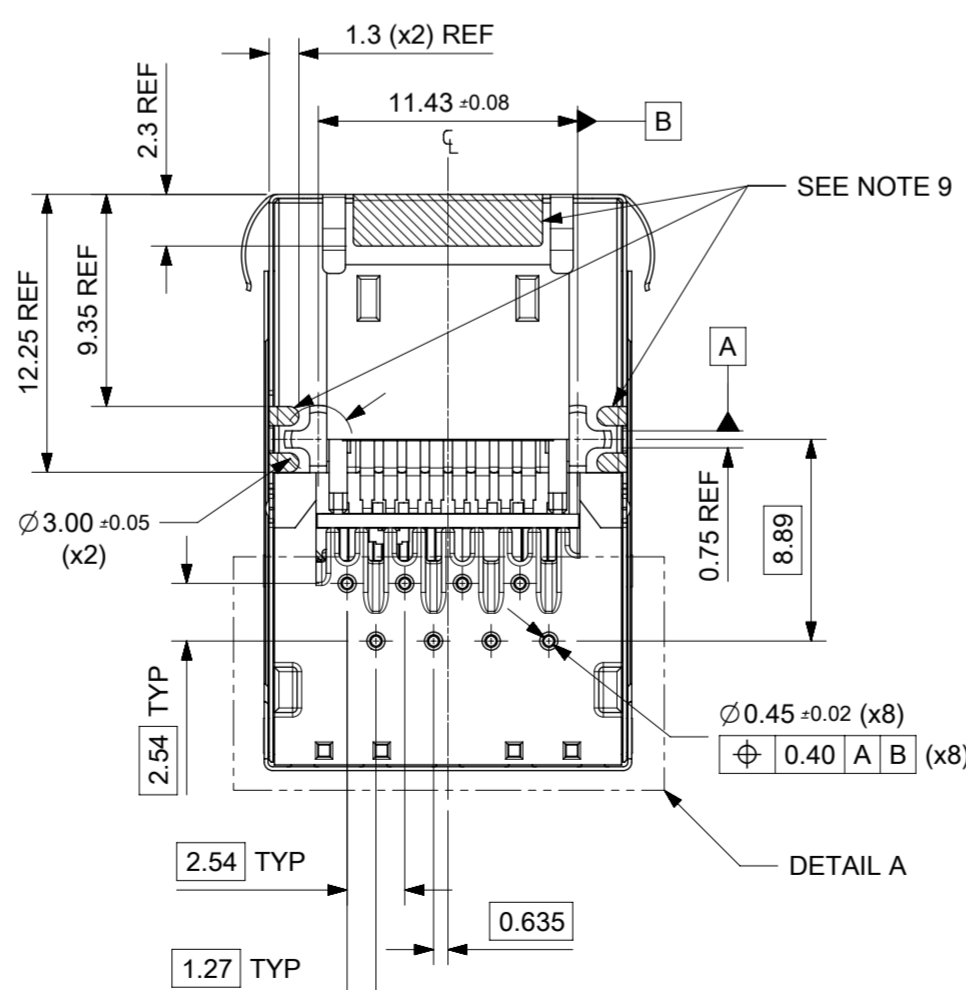
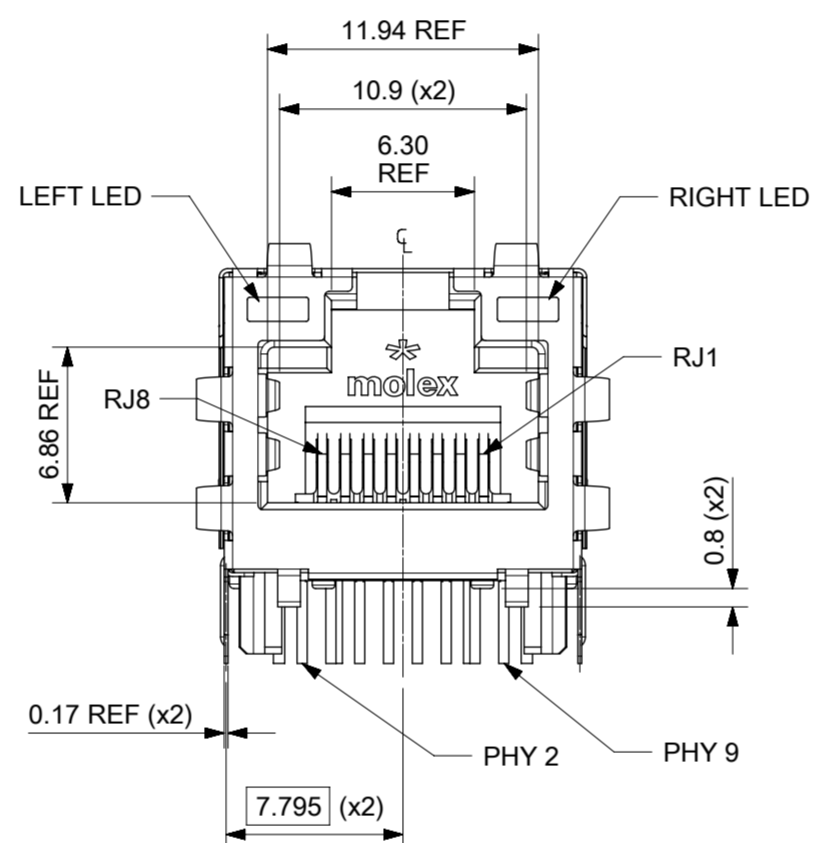
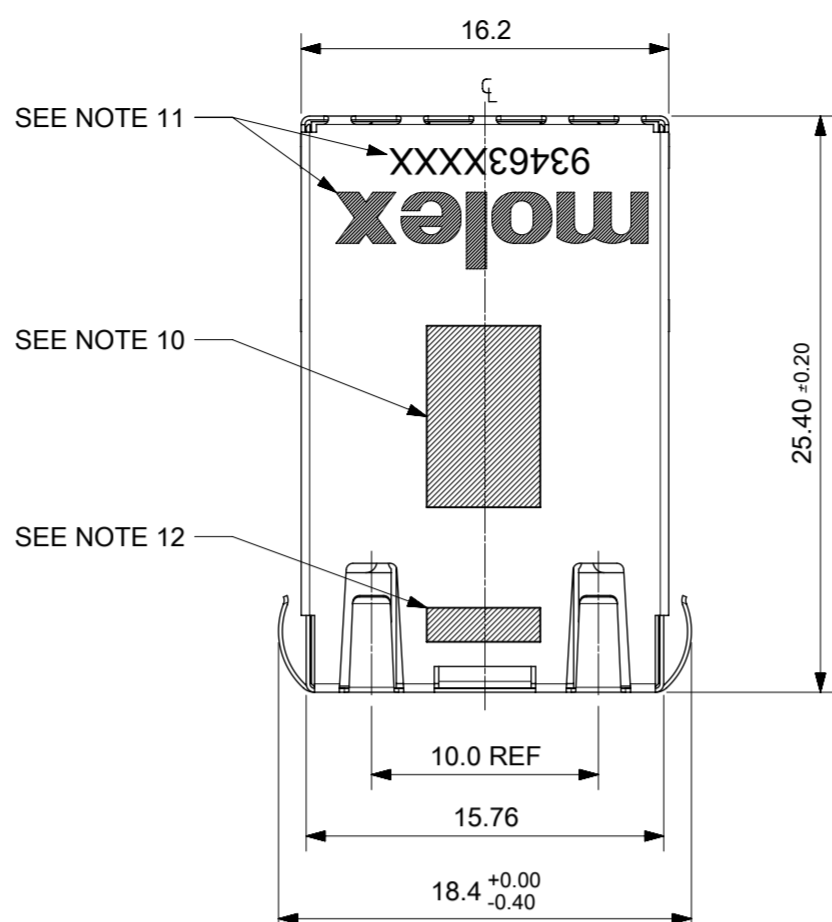
INVERTED PROFILE MAGNETIC JACK
FAST ETHERNET W/LED
AND W/SHIELD TABS TOP, SIDE AND BOTTOM



DETAIL A
SCALE 5:1

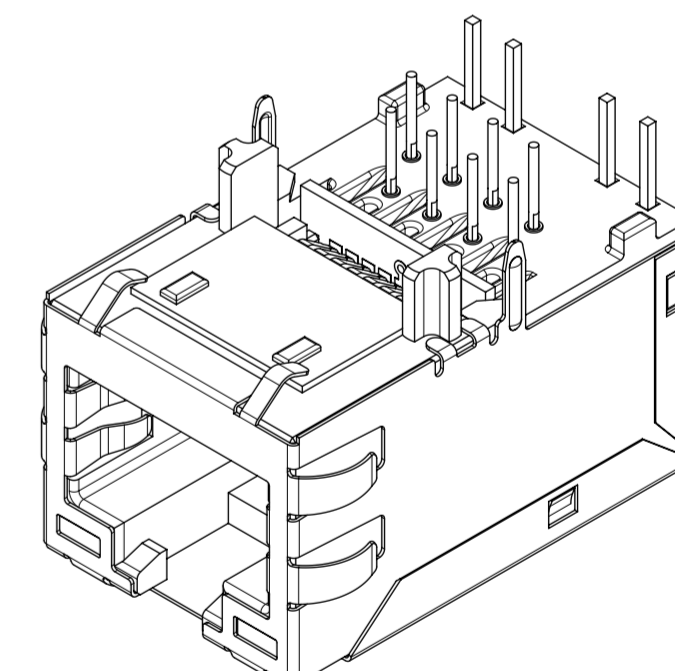
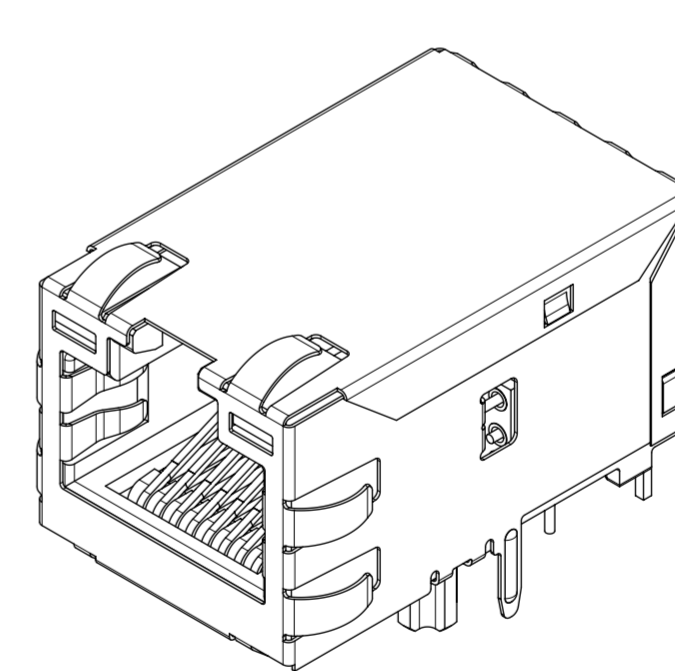


SUGGESTED PANEL CUT-OUT

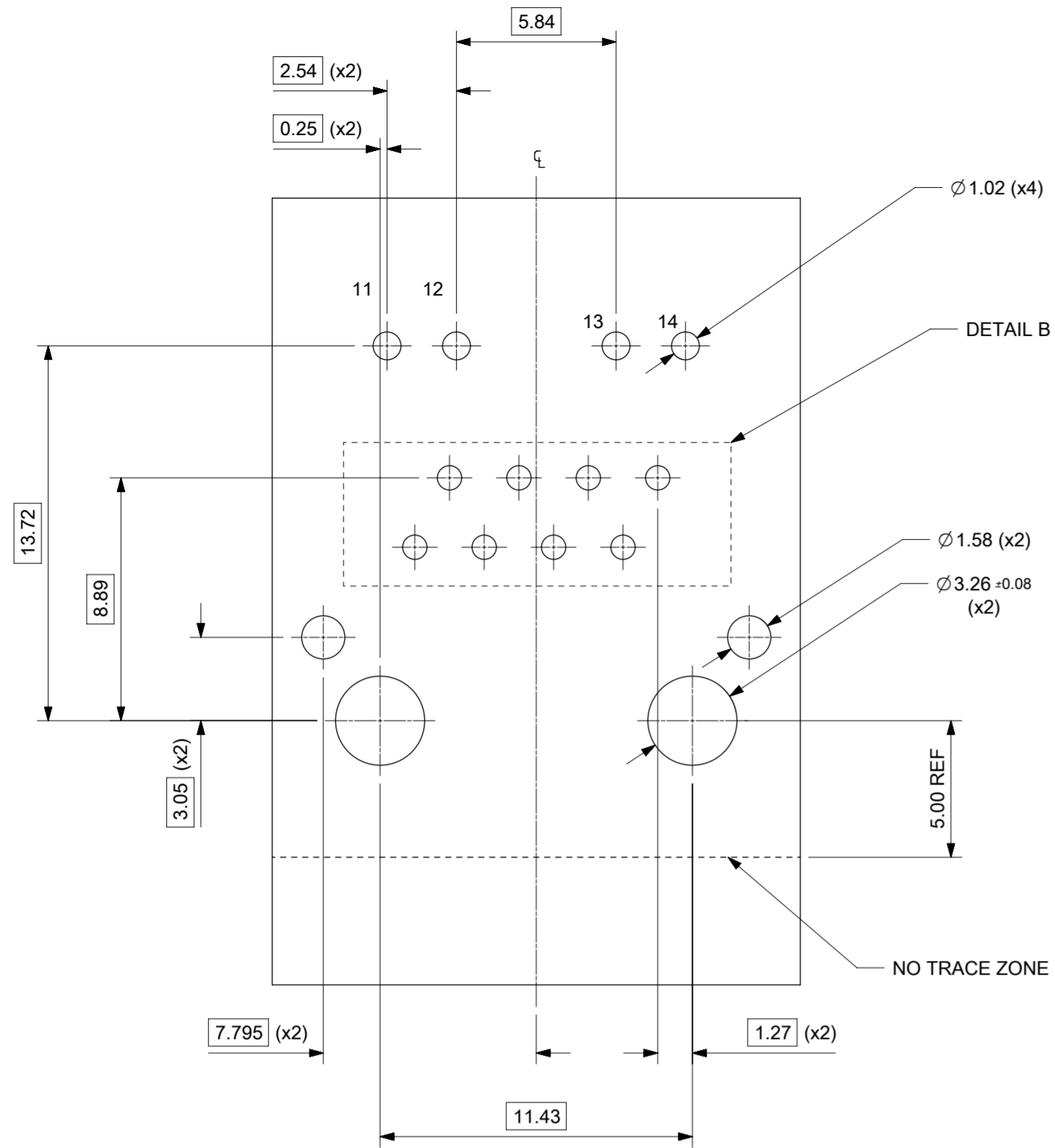


NOTES:

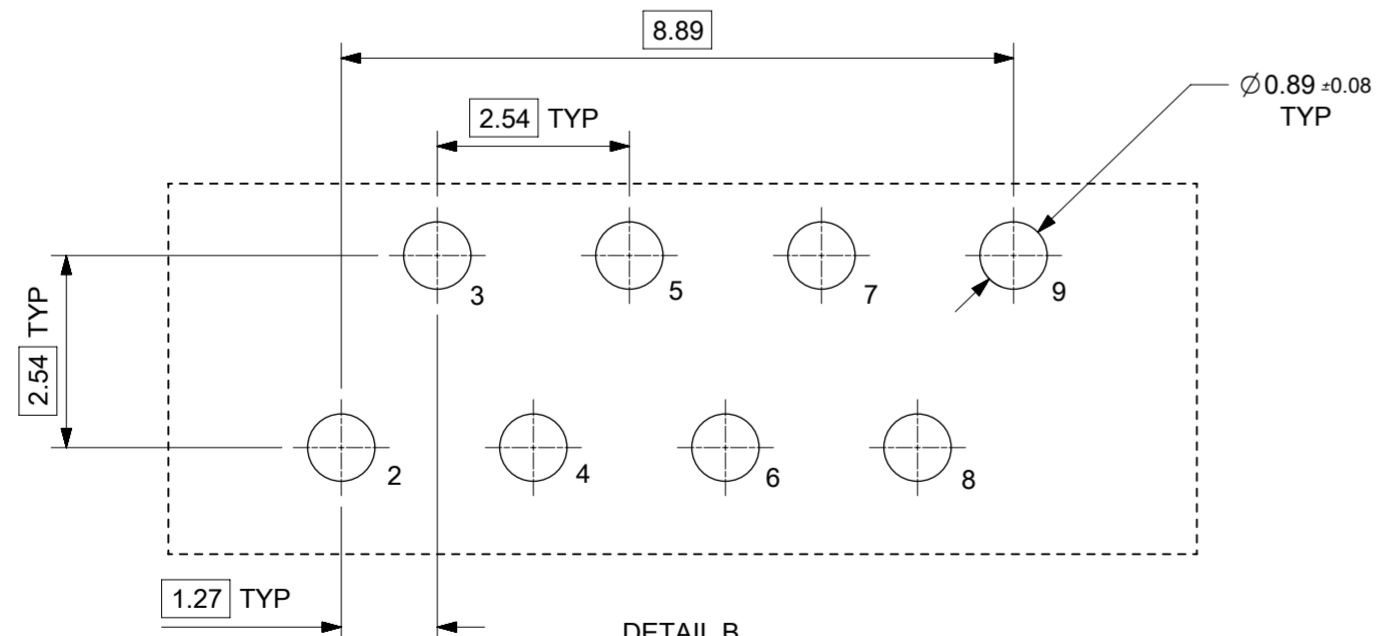
- 1 - SHIELD MATERIAL: 0.17 mm THICK BRASS PRE-PLATED WITH NICKEL.
SOLDER TABS POST DIPPED WITH MIN. 1.27 μm TIN
- 2 - HOUSING MATERIAL: LCP, BLACK, UL 94V-0
- 3 - TERMINALS MATERIAL: PHOSPHOR BRONZE
RJ45 CONTACT PLATING: BASE NICKEL, GOLD FLASH OVER PALLADIUM NICKEL
PHY SOLDER TAILS: COPPER ALLOY REFER TO 934620001 PSP
- 4 - MATING INTERFACE ACCORDING TO IEC 60603-7 & TIA-1096-A
- 5 - PRODUCT SPECIFICATION: 934620001 PSP
- 6 - PACKAGING SPECIFICATION: 934620001 PSK TRAY
- 7 - STAND OFF TO SYSTEM BOARD 0.30 mm MIN
- 8 - RECOMMENDED PCB THICKNESS: 1.57 mm REF
- 9 - SHIELD: AVOID ROUTING TRACES OR PLACING ANY VIAS BELOW THESE AREAS.
- 10 - AREA FOR PICK AND PLACE: 5.0 mm x 8.0 mm
- 11 - INSCRIPTION MARKED BY LASER:
1st : MOLEX
2st : P/N (SEE BOM)
- 12 - INSCRIPTION MARKED BY LASER:
DATE CODE(DAY/WEEK/YEAR)
- 13 - MATERIAL COMPLIANT TO RoHS DIRECTIVE 2002/95/EC



THIS DRAWING CONTAINS INFORMATION THAT IS PROPRIETARY TO MOLEX ELECTRONIC TECHNOLOGIES, LLC AND SHOULD NOT BE USED WITHOUT WRITTEN PERMISSION					
UPDATED SCHEMATIC EC NO: 167044 DRWN: KREILLY CHKD: DSHEA REV: APPR: DBYRNES	2017/10/23	GENERAL TOLERANCES (UNLESS SPECIFIED)	DIMENSION UNITS	SCALE	
	2017/10/31	ANGULAR TOL ± 2.0 °	mm	3:1	
	2017/11/22	4 PLACES ±	DRWN BY	DATE	
		3 PLACES ±	KREILLY	2015/09/08	
		2 PLACES ± 0.1	CHK'D BY	DATE	1" MXMAG 4 CORE FE COM
		1 PLACE ± 0.2	DBYRNES	2016/09/19	
		0 PLACES ±	APPR BY	DATE	PRODUCT CUSTOMER DRAWING
			JALEXANDER	2016/01/07	
		DRAFT WHERE APPLICABLE MUST REMAIN WITHIN DIMENSIONS	DRAWING SIZE	THIRD ANGLE PROJECTION	SERIES
			A2		93463
					MATERIAL NUMBER
					SEE TABLE ON SHEET 2
					CUSTOMER
					GENERAL MARKET
					DOCUMENT NUMBER
					934630001
					DOC TYPE
					PSD
					DOC PART
					000
					SHEET NUMBER
					1 OF 3



SUGGESTED BOARD LAYOUT
FAST ETHERNET
VIEW FROM COMPONENT SIDE
ALL DIMS ARE REFERENCE



DETAIL B
SCALE 10:1

PIN CONFIGURATION
FOR FAST ETHERNET

PART NUMBER	LEFT LED	RIGHT LED
934633214	YELLOW	GREEN

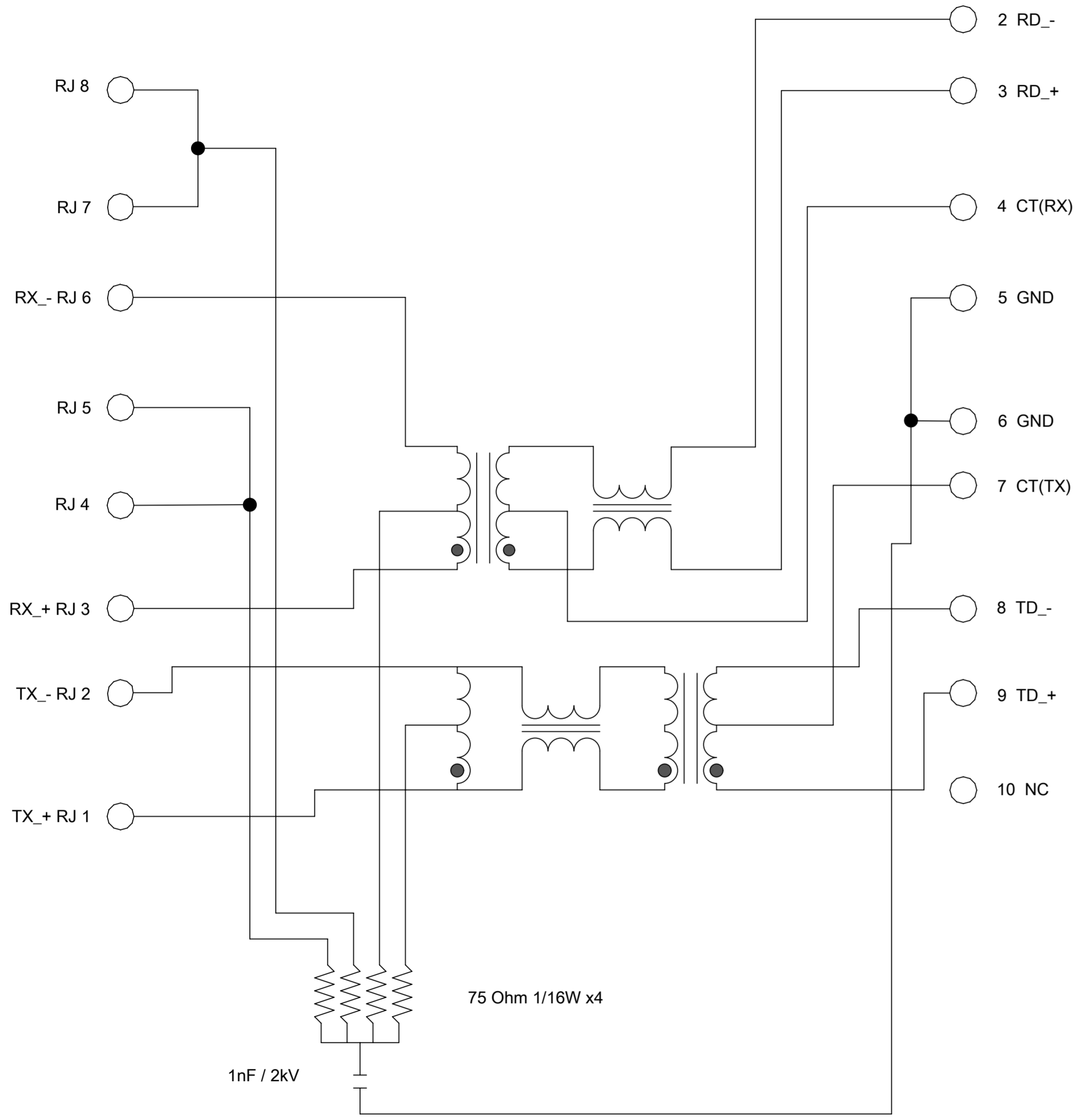
THIS DRAWING CONTAINS INFORMATION THAT IS PROPRIETARY TO MOLEX ELECTRONIC TECHNOLOGIES, LLC AND SHOULD NOT BE USED WITHOUT WRITTEN PERMISSION									
UPDATED SCHEMATIC EC NO: 167044 DRWN: KREILLY CHKD: DSHEA REV / APPR: DBYRNES	2017/10/23	GENERAL TOLERANCES (UNLESS SPECIFIED)	DIMENSION UNITS	SCALE	molex				
	2017/10/31	(UNLESS SPECIFIED)	mm	5:1					
	2017/11/22	ANGULAR TOL ± 2.0 °	DRWN BY	DATE	1" MXMAG 4 CORE FE COM				
			KREILLY	2015/09/08					
		4 PLACES ±	CHK'D BY	DATE	PRODUCT CUSTOMER DRAWING				
	3 PLACES ±	DBYRNES	2016/09/19						
	2 PLACES ± 0.1	APPR BY	DATE	SERIES MATERIAL NUMBER CUSTOMER					
	1 PLACE ± 0.2	JALEXANDER	2016/01/07						
	0 PLACES ±	DRAWING SIZE	THIRD ANGLE PROJECTION	93463		SEE TABLE ON SHEET 2		GENERAL MARKET	
	DRAFT WHERE APPLICABLE MUST REMAIN WITHIN DIMENSIONS	A2		DOCUMENT NUMBER		DOC TYPE		DOC PART SHEET NUMBER	
C				934630001		PSD		000 2 OF 3	

RJ-45 CONTACTS

WIRE SIDE / RJ 45

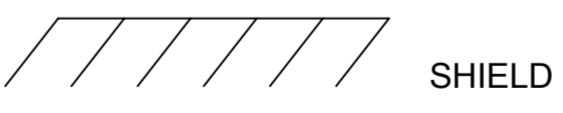
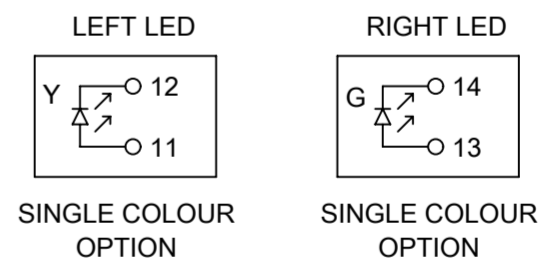
ETHERNET MAGNETICS

PHY SIDE / PCB SIDE



Description	Value	
OCL @100 kHz, 0.1 V, 8 mA DC bias 0°C to +70°C)	350 μH min.	
Turns ratio	1CT:1CT	
Transmission characteristics @ 25°C, all four pairs		
Insertion Loss		
Frequency f, (MHz)	Limits (dB max.)	Typical Values (dB max.)
1.0-9.9	0.4+0.1*log (f)	0.5 @ 10 MHz
10-49.9	0.5+0.3*log (f/10)	0.7 @ 50 MHz
50-79.9	1+1.4*log (f/80)	1.0 @ 80 MHz
80-100	1.3+3*log (f/100)	1.3 @ 100 MHz
Return Loss		
Frequency f, (MHz)	Limits (dB min.)	Typical Values (dB min.)
1.0-39.9	18	18 @ 40 MHz
40-100	12-20*log (f/80)	10 @ 100 MHz
CMR		
Frequency f, (MHz)	Limits (dB min.)	Typical Values (dB min.)
1.0-100	30	30 @ 100 MHz
NEXT		
Frequency f, (MHz)	Limits (dB min.)	Typical Values (dB min.)
1.0-39.9	35	35 @ 40 MHz
40-100	33-20*log (f/50)	27 @ 100 MHz
Isolation PHY to wire side	2.25 kV DC/60 s	

ETHERNET TERMINALS



THIS DRAWING CONTAINS INFORMATION THAT IS PROPRIETARY TO MOLEX ELECTRONIC TECHNOLOGIES, LLC AND SHOULD NOT BE USED WITHOUT WRITTEN PERMISSION

UPDATED SCHEMATIC EC NO: 167044 DRWN: KREILLY CHKD: DSHEA REV / APPR: DBYRNES	2017/10/23	GENERAL TOLERANCES (UNLESS SPECIFIED)	DIMENSION UNITS	SCALE	
	2017/10/31	ANGULAR TOL ± 2.0 °	mm	1:1	
	2017/11/22	4 PLACES ±	DRWN BY	DATE	
		3 PLACES ±	KREILLY	2015/09/08	
	2 PLACES ± 0.1	CHK'D BY	DATE		
	1 PLACE ± 0.2	DBYRNES	2016/09/19		
	0 PLACES ±	APPR BY	DATE		
		JALEXANDER	2016/01/07		
		DRAFT WHERE APPLICABLE MUST REMAIN WITHIN DIMENSIONS	DRAWING SIZE	THIRD ANGLE PROJECTION	
			A2		

PRODUCT CUSTOMER DRAWING		
SERIES	MATERIAL NUMBER	CUSTOMER
93463	SEE TABLE ON SHEET 2	GENERAL MARKET
DOCUMENT NUMBER	DOC TYPE	DOC PART SHEET NUMBER
934630001	PSD	000 3 OF 3