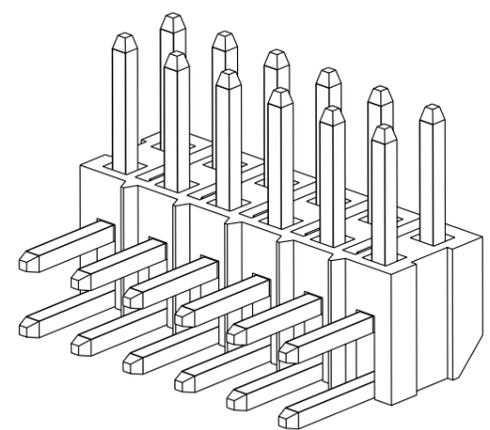
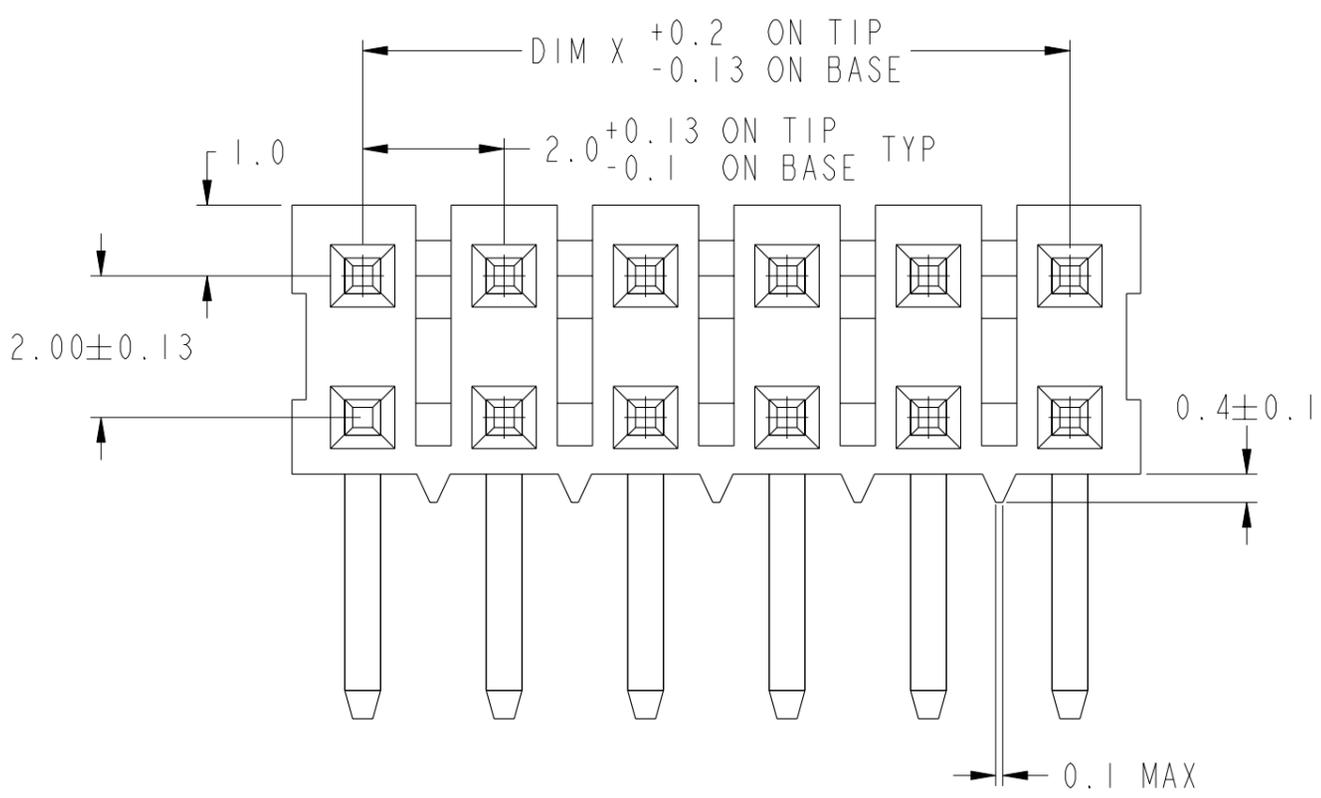
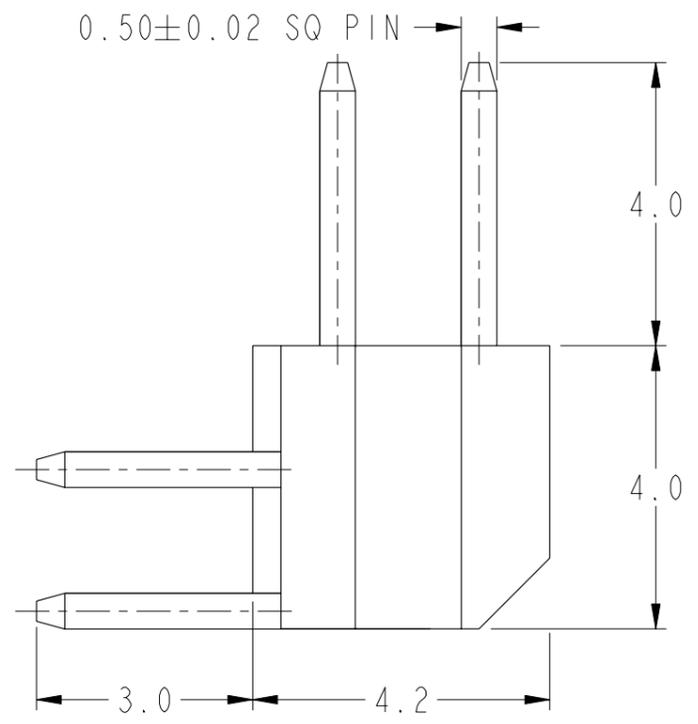
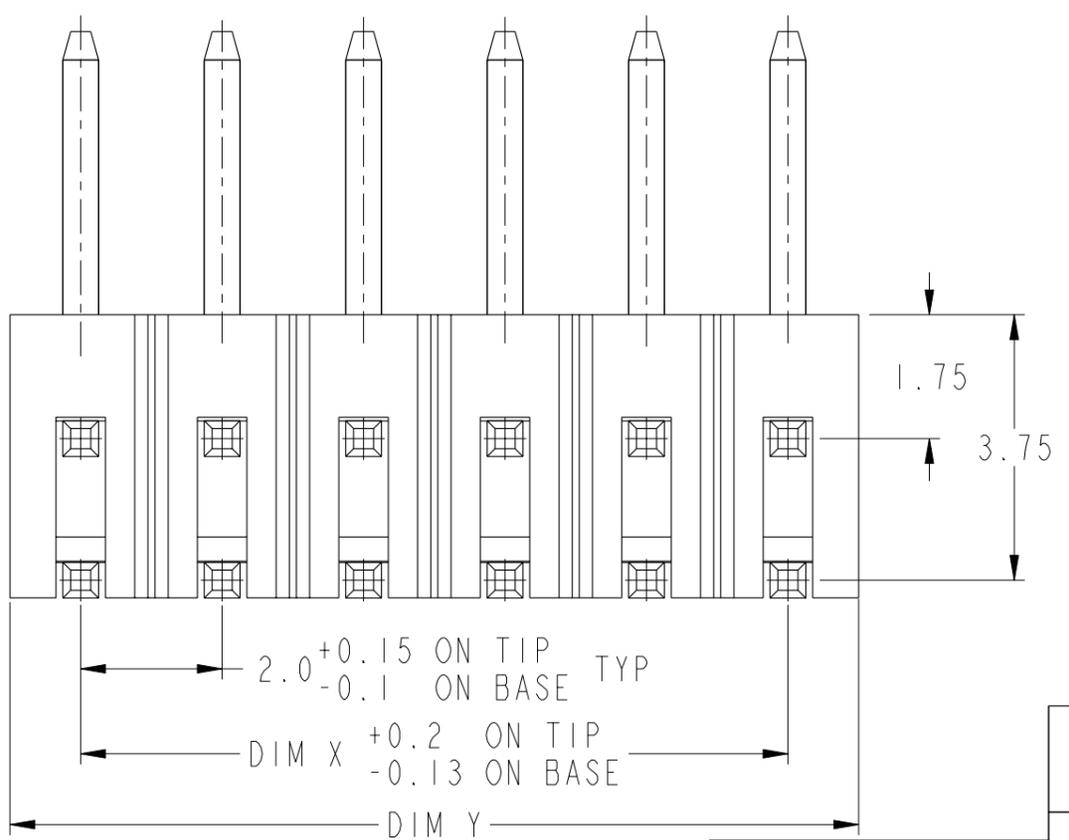




Copyright FCI.



SCALE 5:1



CONFIDENTIAL

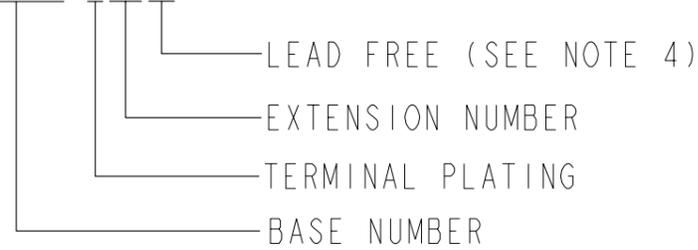
rev	ecn no	dr	date
A	S40287	BSL	1994-11-22
B	S05-0057	KBM	2005-02-25
C	S10-0205	NBR	2010-01-18
-	-	-	-
-	-	-	-
-	-	-	-

www.fciconnect.com		surface - ✓ ISO 1302	tolerance std ISO 406 ISO 1101	projection MM
		TOLERANCES UNLESS OTHERWISE SPECIFIED		
Dr	BS LOW	1994-11-18	ANGULAR	0.X ±
Eng	BS LOW	1994-11-18	LINEAR	0.XX ±0.25
Chr	KH LEE	2010-01-18	0° ±3°	0.XXX ±
Appr	JOEY NG	2010-01-18	Product family	size A3
				ECN S10-0205
				Spec ref -
FCI		title MINITEK II R/A HEADER		Rev. C
		dwg no	94277	
catalog no		CUSTOMER		sheet 1 of 2

PRODUCT NO	POS	DIM X	DIM Y
94277-X04	2 X 2	2	4
X06	2 X 3	4	6
X08	2 X 4	6	8
X10	2 X 5	8	10
X12	2 X 6	10	12
X14	2 X 7	12	14
X16	2 X 8	14	16
X18	2 X 9	16	18
X20	2 X 10	18	20
X22	2 X 11	20	22
X24	2 X 12	22	24
X26	2 X 13	24	26
X28	2 X 14	26	28
X30	2 X 15	28	30
X32	2 X 16	30	32
X34	2 X 17	32	34
X36	2 X 18	34	36
X38	2 X 19	36	38
X40	2 X 20	38	40
X42	2 X 21	40	42
X44	2 X 22	42	44
X46	2 X 23	44	46
X48	2 X 24	46	48
X50	2 X 25	48	50

PRODUCT DESCRIPTION CODE :

XXXXX-XXXLF



PLATING	DESCRIPTION
0	0.20µm Au OVER Ni
1	0.76µm Au OVER Ni
3	0.38µm Au OVER Ni
5	0.38µm PdNi W Au FLASH OVER Ni
6	0.76µm PdNi W Au FLASH OVER Ni

NOTES:

- MATERIAL:  
BODY : HIGH TEMPERATURE PLASTIC UL 94V-0 BLACK  
PIN : COPPER ALLOY
- TOLERANCE UNLESS OTHERWISE NOTED ±0.25
- ③ STAND-OFF DESIGN FOR 2X2 POS. REFERS TO FIG. 1.
- ④ P/N:94277-XXXLF IS SAME AS P/N:94277-XXX. THE SUFFIX 'LF' IS ADDED JUST FOR EASY LEAD FREE IDENTIFICATION
- THE HOUSING WILL WITHSTAND EXPOSURE TO 255°C PEAK TEMPERATURE FOR 10 SECONDS IN A CONVECTION, INFRA-RED OR VAPOR PHASE REFLOW OVEN.
- THE HOUSING WILL WITHSTAND EXPOSURE TO 260°C PEAK TEMPERATURE FOR 10 SECONDS IN A WAVE SOLDER APPLICATION WITH A 1.57MM MINIMUM THICK CIRCUIT BOARD.
- THIS PRODUCT MEETS EUROPEAN UNION DIRECTIVES AND OTHER COUNTRY REGULATIONS AS DESCRIBED IN GS-22-008.
- ① A ① SYMBOL WILL BE NEXT TO ANY DIMENSION, VIEW OR NOTE WHICH HAS BEEN MODIFIED WITH THE CURRENT DRAWING REVISION.

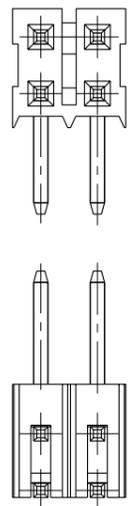
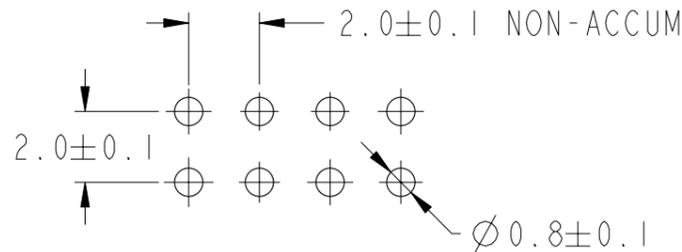


FIG. 1

SEE NOTE 3



RECOMMENDED HOLE LAYOUT  
SCALE 5:1

www.fciconnect.com			surface - ✓ ISO 1302	tolerance std ISO 406 ISO 1101	projection MM	<b>CONFIDENTIAL</b>	
			TOLERANCES UNLESS OTHERWISE SPECIFIED		size A3	Scale 10:1	
Dr	BS LOW	1994-11-18	ANGULAR	0.X	±-	ECN S10-0205	
Eng	BS LOW	1994-11-18	LINEAR	0.XX	±0.25		
Chr	KH LEE	2010-01-18	0° ±3°	0.XXX	±-		
Appr	JOEY NG	2010-01-18	Product family		Spec ref		
FCI			MINITEK II R/A HEADER		dwg no 94277		Rev. C
catalog no			-		CUSTOMER		sheet 2 of 2