

General-purpose CMOS Logic IC Series (BU4S,BU4000B Series)

Single Gate CMOS Logic ICs

<Analog Switch>



BU4S66G2

No. 09050JAT02

● **Description**

The BU4S66G2 is a 1ch analog switch IC encapsulated in an SSOP5 package, and can replace 1 circuit of the general-purpose CMOS two-way analog switch BU4066B IC.

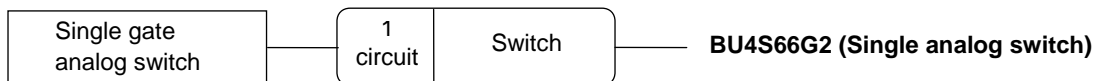
● **Features**

- 1) Low power consumption
- 2) Surface mount package (SSOP5)
- 3) Broad operating supply voltage range: 3V-16V
- 4) L-TTL2 and LS-TTL1 inputs can be driven directly
- 5) Function compatible with BU4066BC series (1ch).
- 6) Excellent linearity

● **Applications**

Can be used as a digital/analog switch, ON/OFF switch, or changeover switch in a high speed line, with no deterioration of the analog signals. Connection to a low impedance circuit is possible, due to the low ON resistance.

● **Lineup**



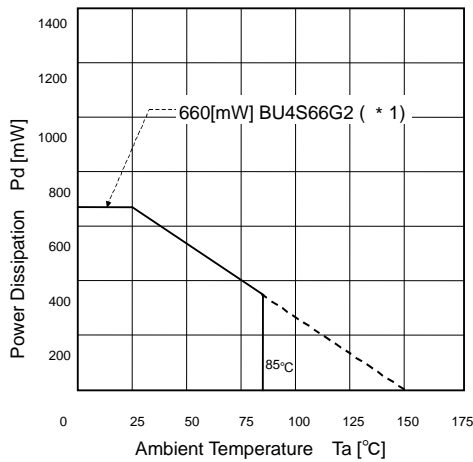
●Absolute Maximum Ratings

Parameter	Symbol	Limit	Unit
Power Supply Voltage	VDD	-0.3 to 18	V
Supply Current	Iin	±10	mA
Operating Temperature	Topr	-40 to 85	°C
Storage Temperature	Tstg	-55 to 150	°C
Input Voltage	VIN	-0.3 to VDD+0.3	V
Maximum Junction Temperature	Tjmax	150	°C

●Recommended Operating Conditions

Parameter	Symbol	Limit	Unit
Operating Power Supply	VDD	3 to 16	V
Input Voltage	VIN	0 to VDD	V

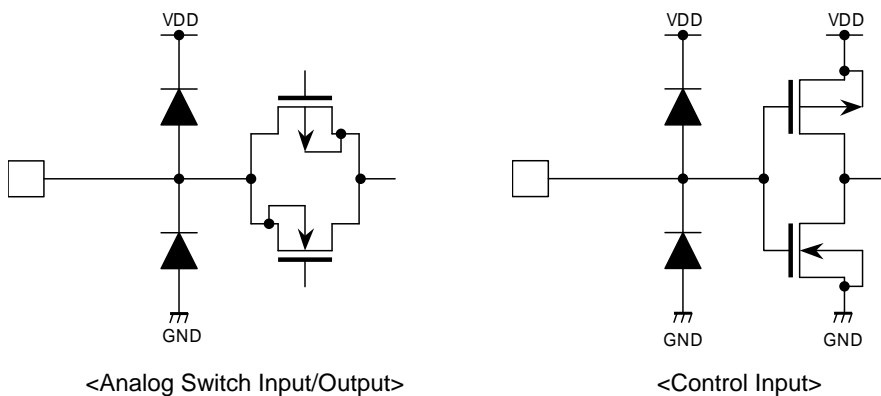
●Thermal Derating Curve



(*1)	Unit
5.3	mW/°C

Reduced per 1C at Ta>25°C. Power Dissipation measured when sample mounted on a 70mmx70mmx1.6mm FR4 glass-epoxy PCB (copper area less than 3%)

●Input / Output Equivalent Circuits



●Electrical Characteristics (BU4S66G2)

DC Characteristics (Unless otherwise noted : VSS=0[V], Ta=25[°C])

Parameter	Symbol	Limits			Unit	VDD[V]	Condition	Fig.No
		Min	Typ	Max				
Control "H"input voltage	VIH	3.5	—	—	V	5	Current between in and out=10[μA]	—
		7.0	—	—		10		
		11.0	—	—		15		
Control "L"input voltage	VIL	—	—	1.5	V	5	Current between in and out =10[μA]	—
		—	—	3.0		10		
		—	—	4.0		15		
ON resistance	RON	—	290	950	Ω	5	0 ≤ VIN ≤ VDD RL=10[kΩ]	1
		—	120	250		10		
		—	85	160		15		
Channel-OFF Leakage current	LOFF	—	—	0.3	μA	15	VIN=15[V], VOUT=0[V]	—
		—	—	-0.3		15	VIN=0[V], VOUT=15[V]	
Static supply current	IDD	—	—	1.0	μA	5	VIN=VDD or GND	—
		—	—	2.0		10		
		—	—	4.0		15		
Input capacitance(control input)	CC	—	8	—	pF	—	f=1[MHz]	—
Input capacitance(switch input)	CS	—	10	—	pF	—	f=1[MHz]	—

Switching Characteristics (Unless otherwise noted : VSS=0[V], Ta=25[°C], CL=50[pF])

Parameter	Symbol	Limits			Unit	VDD[V]	Condition	Fig.No
		Min	Typ	Max				
Propagation delay time (I/O→O/I)	tPLH	—	15	—	ns	5	RL=10[kΩ] CL=50[pF]	2
		—	8	—		10		
		—	5	—		15		
	tPHL	—	15	—	ns	5	RL=10[kΩ] CL=50[pF]	3
		—	8	—		10		
		—	5	—		15		
Propagation delay time (CONTROL→O/I)	tPHZ	—	100	—	ns	5	RL=10[kΩ] CL=50pF	4
		—	70	—		10		
		—	65	—		15		
	tPLZ	—	100	—	ns	5	RL=10[kΩ] CL=50[pF]	5
		—	70	—		10		
		—	65	—		15		
	tPZH	—	80	—	ns	5	RL=10[kΩ] CL=50[pF]	6
		—	35	—		10		
		—	25	—		15		
	tPZL	—	80	—	ns	5	RL=10[kΩ] CL=50[pF]	7
		—	35	—		10		
		—	25	—		15		
Maximum control frequency	fmax (C)	—	10	—	MHz	5	RL=1[kΩ] CL=50[pF]	—
		—	12	—		10		
		—	12	—		15		
Maximum propagation frequency	Fmax (I-O) ^{*1}	—	30	—	MHz	5	VSS=-5[V], RL=1[kΩ] CL=50[pF]	—
Feedthrough attenuation	FT ^{*2}	—	600	—	kHz	5	VSS=-5[V], RL=1[kΩ]	—
Sine wave distortion (1[kHz])	THD ^{*3}	—	0.05	—	%	5	VSS=-5[V], RL=10[kΩ] CL=50[pF]	—
Cross talk (CONTROL→O/I)	CTc	—	200	—	mV	5	RIN=1[kΩ]	—
		—	400	—	mV	10	ROUT=10[kΩ]	
		—	600	—	mV	15	CL=15[pF]	

*1 Frequency where 20log(VOUT/VIN)=3[dB]

*2 Frequency where 20log(VOUT/VIN)=50[dB]

*1 *2 *3 Must be sine wave of VIN±2.5[Vp-p].

● Electrical Characteristics Curves

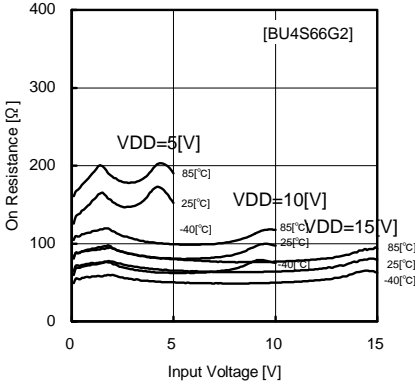


Fig.1 Output current-voltage

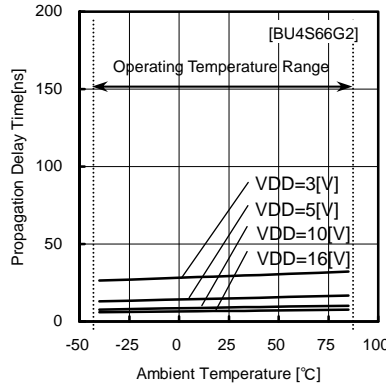


Fig.2 Propagation delay tPLH (IN-OUT)

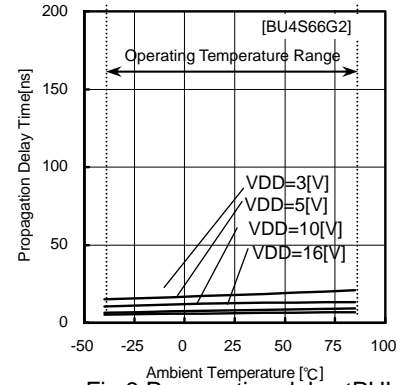


Fig.3 Propagation delay tPHL (IN-OUT)

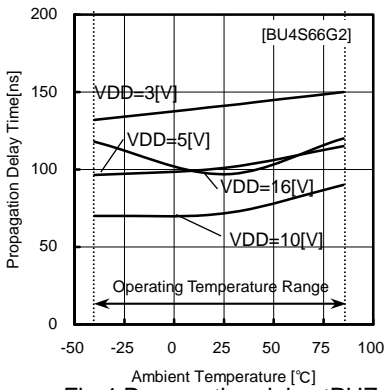


Fig.4 Propagation delay tPHZ (CONT-OUT)

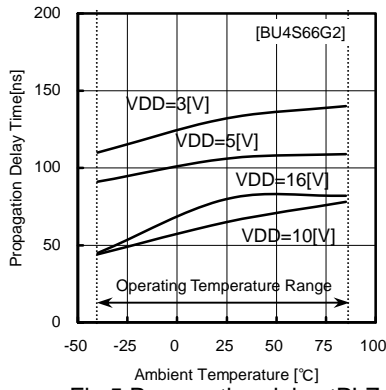


Fig.5 Propagation delay tPLZ (CONT-OUT)

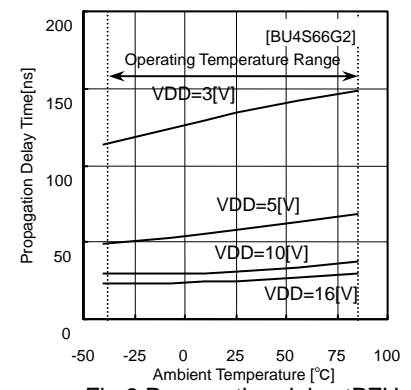


Fig.6 Propagation delay tPZH (CONT-OUT)

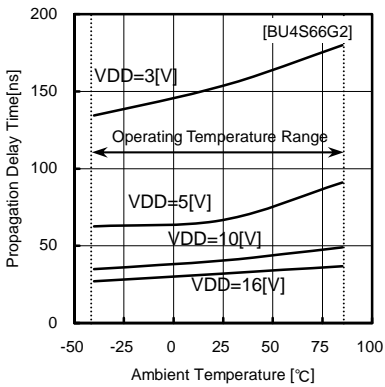
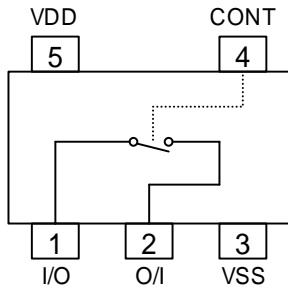


Fig.7 Propagation delay tPZL (CONT-OUT)

● Pinout Diagram • Pin Description • Input / Output Table

Pinout Diagram



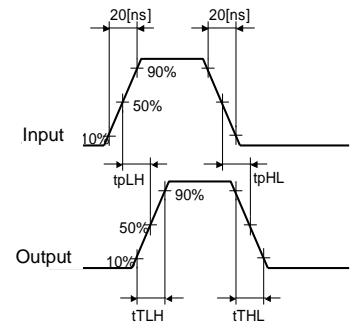
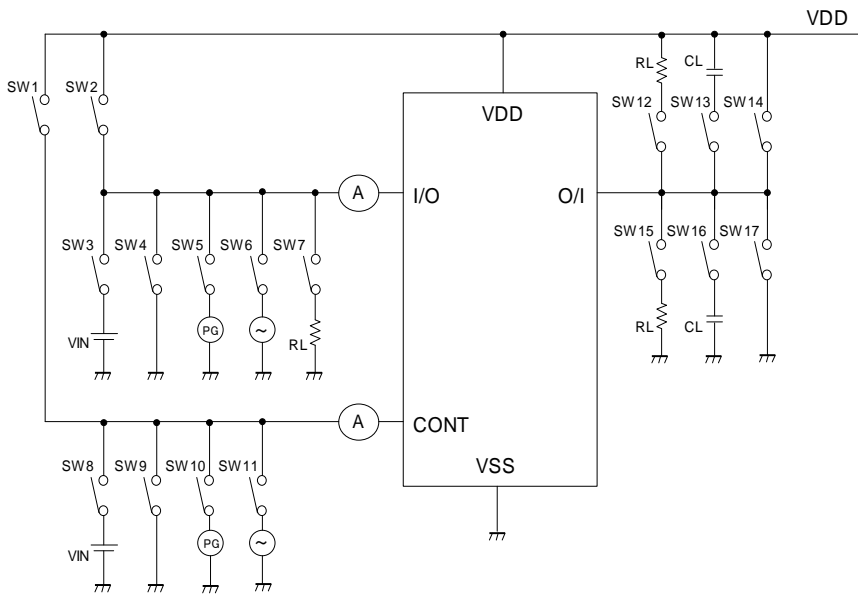
Input / Output Table

CONT	SW
L	OFF
H	ON

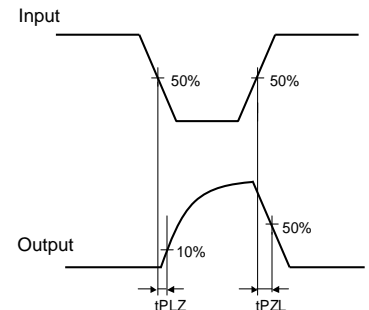
Pin Description

Pin No	Symbol	I/O	Function
1	I/O	I/O	Analog Switch Input / Output
2	O/I	I/O	Analog Switch Input / Output
3	VSS	—	Power supply(-)
4	CONT	I	Control Input
5	VDD	—	Power supply(+)

● Measurement Circuit



Switching Characteristics



Propagation delay

● Switching Table

Parameter	SW 1	SW 2	SW 3	SW 4	SW 5	SW 6	SW 7	SW 8	SW 9	SW 10	SW 11	SW 12	SW 13	SW 14	SW 15	SW 16	SW 17
Input voltage/current	OFF	ON	OFF	OFF	OFF	OFF	OFF	ON	OFF	OFF	OFF	OFF	OFF	OFF	ON	OFF	OFF
ON resistance	ON	OFF	ON	OFF	OFF	OFF	OFF	OFF	OFF	OFF	OFF	OFF	OFF	OFF	ON	OFF	OFF
Channel-OFF Leakage current	OFF	ON	OFF	OFF	OFF	OFF	OFF	OFF	ON	OFF	OFF	OFF	OFF	ON	OFF	OFF	ON
	OFF	OFF	OFF	ON	OFF	OFF	OFF	OFF	ON	OFF	OFF	OFF	OFF	OFF	OFF	OFF	OFF
Switching Characteristics	ON	OFF	OFF	OFF	ON	OFF	OFF	OFF	OFF	OFF	OFF	OFF	OFF	OFF	ON	ON	OFF
Propagation time CONT→OUT	tPLZ	OFF	OFF	OFF	ON	OFF	OFF	OFF	OFF	OFF	OFF	OFF	OFF	OFF	OFF	OFF	OFF
	tPZL	OFF	ON	OFF	OFF	OFF	OFF	OFF	OFF	ON	OFF	ON	ON	OFF	ON	ON	OFF
Sine wave distortion Feedthrough attenuation	ON	OFF	OFF	OFF	OFF	ON	OFF	OFF	OFF	ON	OFF	OFF	OFF	OFF	ON	ON	OFF
	OFF	OFF	OFF	OFF	OFF	ON	OFF	OFF	ON	OFF	OFF	OFF	OFF	OFF	ON	ON	OFF
Control	OFF	OFF	OFF	OFF	OFF	OFF	ON	OFF	OFF	OFF	ON	OFF	OFF	OFF	ON	ON	OFF

●Notes for use

1. Absolute maximum ratings

An excess in the absolute maximum ratings, such as supply voltage, temperature range of operating conditions, etc., can break down the devices, thus making impossible to identify breaking mode, such as a short circuit or an open circuit. If any over rated values will expect to exceed the absolute maximum ratings, consider adding circuit protection devices, such as fuses.

2. Connecting the power supply connector backward

Connecting of the power supply in reverse polarity can damage IC. Take precautions when connecting the power supply lines. An external direction diode can be added.

3. Power supply lines

Design PCB layout pattern to provide low impedance GND and supply lines. To obtain a low noise ground and supply line, separate the ground section and supply lines of the digital and analog blocks. Furthermore, for all power supply terminals to ICs, connect a capacitor between the power supply and the GND terminal. When applying electrolytic capacitors in the circuit, not that capacitance characteristic values are reduced at low temperatures.

4. GND voltage

The potential of GND pin must be minimum potential in all operating conditions.

5. Thermal design

Use a thermal design that allows for a sufficient margin in light of the power dissipation (Pd) in actual operating conditions.

6. Inter-pin shorts and mounting errors

Use caution when positioning the IC for mounting on printed circuit boards. The IC may be damaged if there is any connection error or if pins are shorted together.

7. Actions in strong electromagnetic field

Use caution when using the IC in the presence of a strong electromagnetic field as doing so may cause the IC to malfunction.

8. Testing on application boards

When testing the IC on an application board, connecting a capacitor to a pin with low impedance subjects the IC to stress. Always discharge capacitors after each process or step. Always turn the IC's power supply off before connecting it to or removing it from a jig or fixture during the inspection process. Ground the IC during assembly steps as an antistatic measure. Use similar precaution when transporting or storing the IC.

9. Ground Wiring Pattern

When using both small signal and large current GND patterns, it is recommended to isolate the two ground patterns, placing a single ground point at the ground potential of application so that the pattern wiring resistance and voltage variations caused by large currents do not cause variations in the small signal ground voltage. Be careful not to change the GND wiring pattern of any external components, either.

●Ordering part number

B	U
---	---

Part No.

4	S	6	6
---	---	---	---

Part No.
4S66

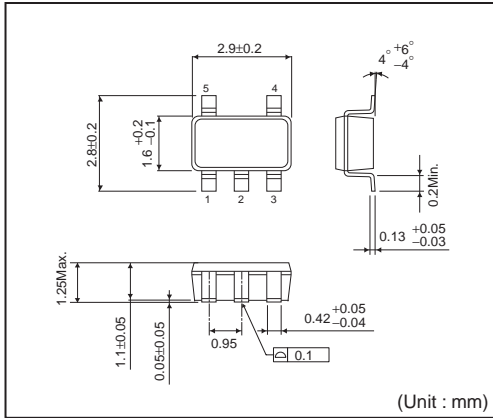
G	2
---	---

Package
G2: SSOP5

T	R
---	---

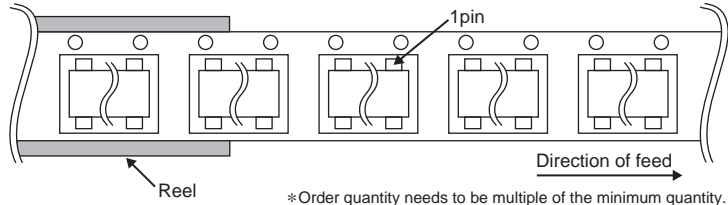
Packaging and forming specification
TR: Embossed tape and reel

SSOP5



<Tape and Reel information>

Tape	Embossed carrier tape
Quantity	3000pcs
Direction of feed	TR (The direction is the 1pin of product is at the upper right when you hold reel on the left hand and you pull out the tape on the right hand)



Notes

No copying or reproduction of this document, in part or in whole, is permitted without the consent of ROHM Co.,Ltd.

The content specified herein is subject to change for improvement without notice.

The content specified herein is for the purpose of introducing ROHM's products (hereinafter "Products"). If you wish to use any such Product, please be sure to refer to the specifications, which can be obtained from ROHM upon request.

Examples of application circuits, circuit constants and any other information contained herein illustrate the standard usage and operations of the Products. The peripheral conditions must be taken into account when designing circuits for mass production.

Great care was taken in ensuring the accuracy of the information specified in this document. However, should you incur any damage arising from any inaccuracy or misprint of such information, ROHM shall bear no responsibility for such damage.

The technical information specified herein is intended only to show the typical functions of and examples of application circuits for the Products. ROHM does not grant you, explicitly or implicitly, any license to use or exercise intellectual property or other rights held by ROHM and other parties. ROHM shall bear no responsibility whatsoever for any dispute arising from the use of such technical information.

The Products specified in this document are intended to be used with general-use electronic equipment or devices (such as audio visual equipment, office-automation equipment, communication devices, electronic appliances and amusement devices).

The Products specified in this document are not designed to be radiation tolerant.

While ROHM always makes efforts to enhance the quality and reliability of its Products, a Product may fail or malfunction for a variety of reasons.

Please be sure to implement in your equipment using the Products safety measures to guard against the possibility of physical injury, fire or any other damage caused in the event of the failure of any Product, such as derating, redundancy, fire control and fail-safe designs. ROHM shall bear no responsibility whatsoever for your use of any Product outside of the prescribed scope or not in accordance with the instruction manual.

The Products are not designed or manufactured to be used with any equipment, device or system which requires an extremely high level of reliability the failure or malfunction of which may result in a direct threat to human life or create a risk of human injury (such as a medical instrument, transportation equipment, aerospace machinery, nuclear-reactor controller, fuel-controller or other safety device). ROHM shall bear no responsibility in any way for use of any of the Products for the above special purposes. If a Product is intended to be used for any such special purpose, please contact a ROHM sales representative before purchasing.

If you intend to export or ship overseas any Product or technology specified herein that may be controlled under the Foreign Exchange and the Foreign Trade Law, you will be required to obtain a license or permit under the Law.



Thank you for your accessing to ROHM product informations.
More detail product informations and catalogs are available, please contact us.

ROHM Customer Support System

<http://www.rohm.com/contact/>