

MATERIALS AND FINISHES

BODY, JAM NUT, CRIMP TUBE BRASS
PLATED GOLD

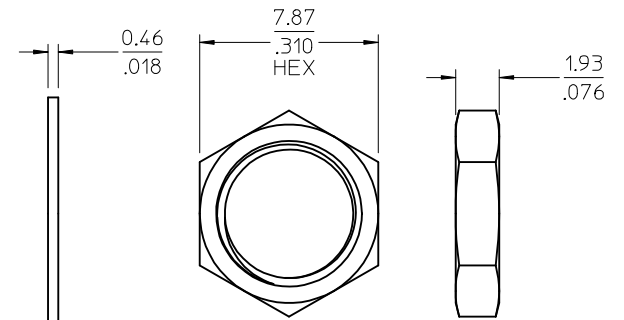
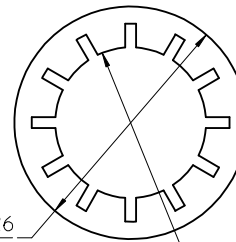
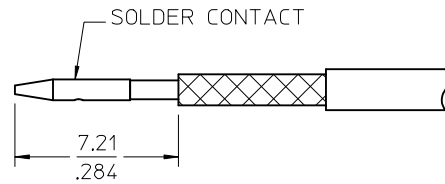
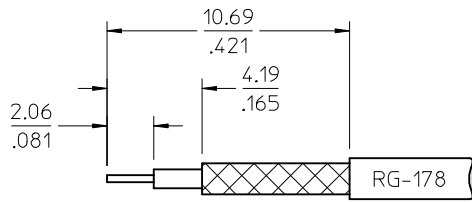
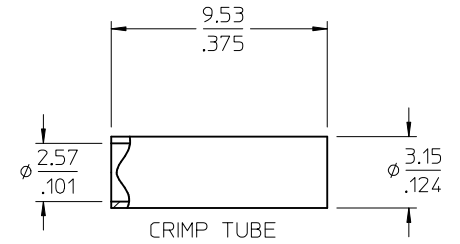
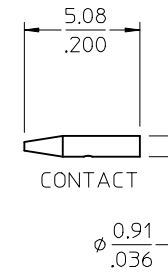
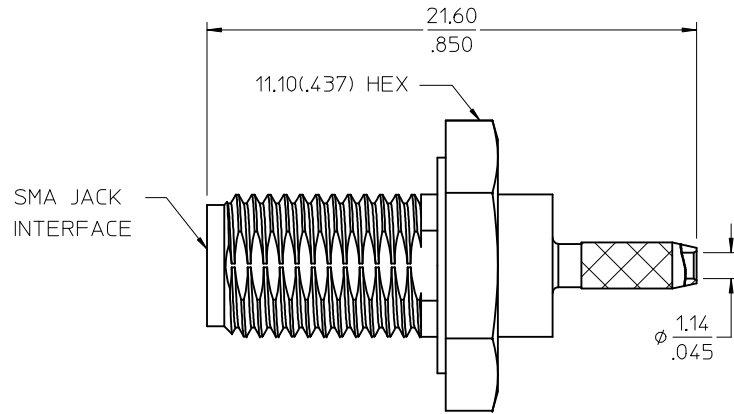
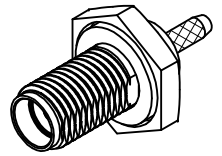
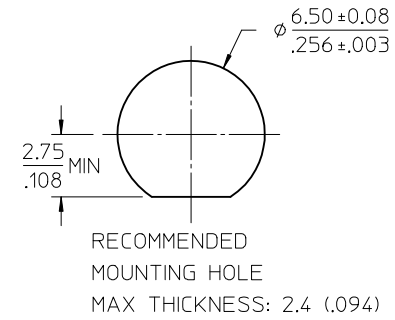
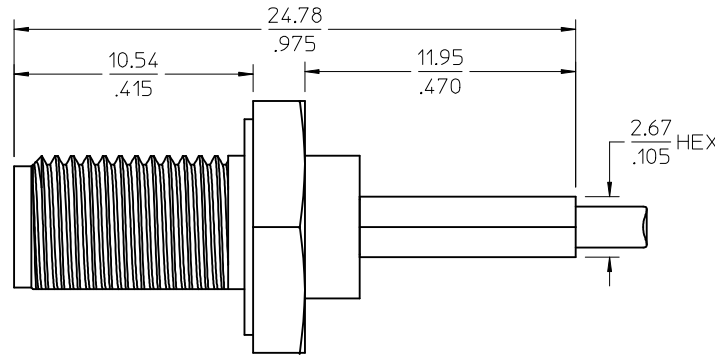
CENTER CONTACT BERYLLIUM COPPER
PLATED GOLD

INSULATOR TEFLON

PIN CONTACT: BRASS
PLATED: GOLD

LOCKWASHER: PHOSPHOR BRONZE
PLATED: GOLD

GASKET: SILICONE RUBBER



MIL-STD-348A, FIG. 310.2	INTERFACE
SPECIFICATION	DESCRIPTION

73251-1481	SINGLE BAG
73251-1480	BULK
PART NO.	PACKAGING

CHG: ADDED CONTACT
SOLDER VIEW
EC NO: URF2015-0310
DRWN: LEE02
CHKD: SSS
APPR: ROBERTSON
REV: A3

QUALITY SYMBOLS
▽=0
▽=0

GENERAL TOLERANCES (UNLESS SPECIFIED)
4 PLACES ± --- ± ---
3 PLACES ± --- ± ---
2 PLACES ± --- ± ---
1 PLACE ± --- ± ---
ANGULAR ± 2 °
DRAFT WHERE APPLICABLE
MUST REMAIN
WITHIN DIMENSIONS

DIMENSION STYLE
MM/IN
DRAWN BY: JM
DATE: 2004/10/12
CHECKED BY: JM
DATE: 2004/10/12
APPROVED BY: JW IENER
DATE: 2010/01/28
MATERIAL NO.
SEE TABLE
SIZE: C

SCALE: DESIGN UNITS METRIC
THIRD ANGLE PROJECTION
TITLE: SMA JACK, BLKHD FOR RG178
50 OHMS, EWR-2608
SMA-JC
MOLEX INCORPORATED
DOCUMENT NO. SD-73251-148
SHEET NO. 1 OF 1
THIS DRAWING CONTAINS INFORMATION THAT IS PROPRIETARY TO MOLEX INCORPORATED AND SHOULD NOT BE USED WITHOUT WRITTEN PERMISSION