

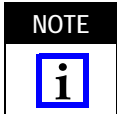
PROPER USE GUIDELINES

Cumulative Trauma Disorders can result from the prolonged use of manually powered hand tools. Hand tools are intended for occasional use and low volume applications. A wide selection of powered application equipment for extended-use, production operations is available.

1. INTRODUCTION

These kits are used to replace Ratchet Pawl 310579-1 in the following hand tools:

TE CONNECTIVITY HAND TOOL	INSTRUCTION SHEET
TETRA-CRIMP Hand Tool 59824-1	408-2823
Platform Tool 58078-3	408-6976
Platform Tool 58078-5	408-4041



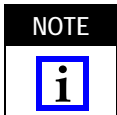
Dimensions on this sheet are in millimeters [with inches in brackets]. Figures and illustrations are for reference only and are not drawn to scale.

2. DESCRIPTION

These retrofit kits include one extension spring (310690-1), two retaining rings (21045-1), a grooved pin (9-59558-0), a ratchet pawl (1583388-1 for kit 2119486-1 and 2119560-1 for kit 2119486-2), a carbide spade drill bit (2119535-1) and a slotted spring pin (3-21028-8). Refer to Figure 3.

3. RATCHET PAWL INSTALLATION (Figure 3)

1. With an applicable punch and a hammer, drive out the pin holding the existing pawls (310579-1). Refer to Figure 1.
2. Discard the pins and ratchet pawls.
3. Leave the extension spring in place.



If needed, a new extension spring is included in the retrofit kit.

4. Enlarge the hole in the tool frame using the included carbide spade bit.

- a. Install the carbide spade bit in a vertical spindle drilling machine.



DO NOT USE A HAND DRILL.

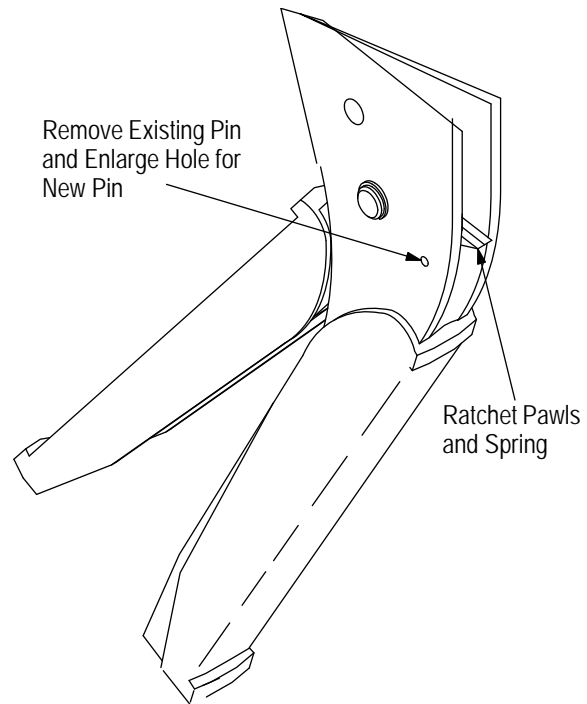
- b. Place the tool on one side and position on the drilling block. (For example, use a wooden or steel drilling block. Refer to Figure 2.

- c. Align the drill bit with the existing hole in the tool frame. **Be sure the tool frame is perpendicular to the drill bit.**

- d. Drill the hole through both sides of the frame.

5. After drilling, be sure to remove burrs and clean the tool thoroughly.

6. Install the new pawl (1583388-1 for kit 2119486-1 or 2119560-1 for kit 2119486-2), pin, retaining rings and spring, if needed, as shown in Figure 3.

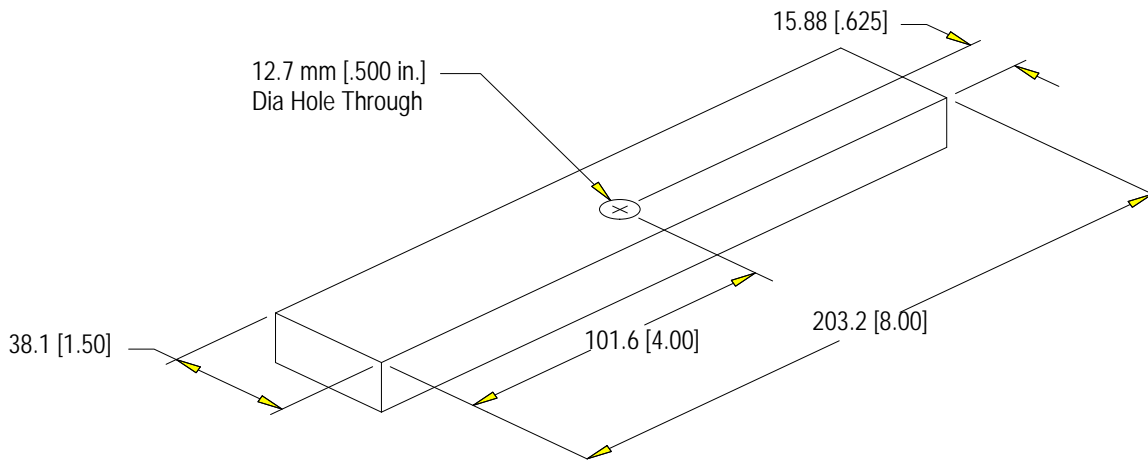


Typical TETRA-CRIMP Tool

Figure 1

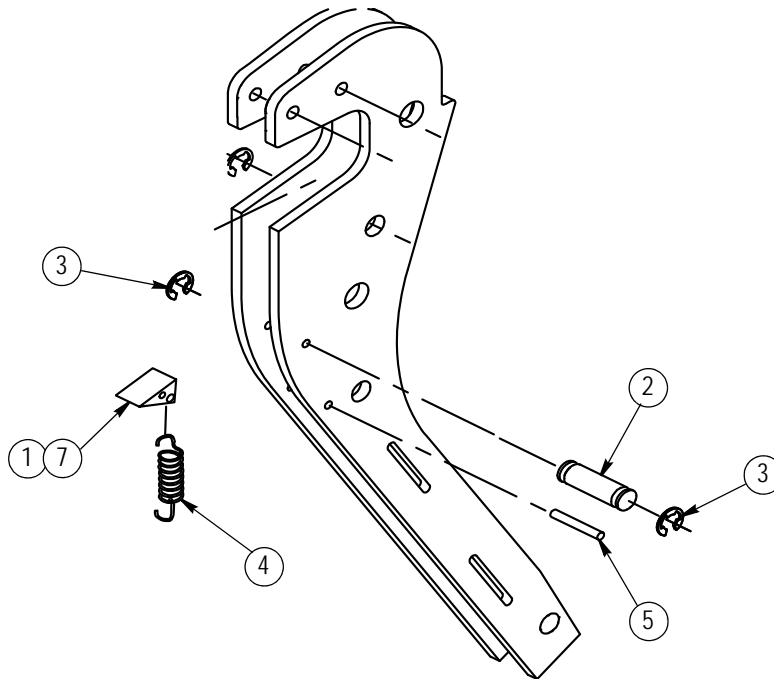
4. REVISION SUMMARY

- Updated document to corporate requirements
- Added new kit 2119486-2 to title
- Added new information to Section 1, INTRODUCTION, Paragraph 3.6, and table in Figure 3



NOTE: Place large pin with E-ring in hole when drilling the frame.

Figure 2



REPLACEMENT PARTS

ITEM	PART NUMBER	DESCRIPTION	QTY PER TOOL
1†	1583388-1	PAWL, Ratchet, (Wide) 9.45 mm [.372 in.] Wide	1†
2	9-59558-0	PIN, Grooved	1
3	21045-1	RING, Retaining	2
4	310690-1	SPRING, Extension	1
5	3-21028-8	PIN, Slotted Spring	Ref
6	2119535-1	Carbide Drill Bit, (Now Shown)	1
7†	2119560-1	PAWL, Ratchet, (Narrow) 4.70 mm [.185 in.] Wide	1†

†Tools with stamped side plates, use Item 1 (9.45 mm [.372 in.] wide); and tools with a solid cast frame, use Item 7 (4.70 mm [.185 in.] wide).

Figure 3