

THIS DRAWING IS UNPUBLISHED. RELEASED FOR PUBLICATION
 © COPYRIGHT BY TYCO ELECTRONICS CORPORATION. ALL RIGHTS RESERVED.

LOC	DIST	REVISIONS					
FT	0	P	LTR	DESCRIPTION	DATE	DWN	APVD
		G1		REVISED PER ECR 10-016010	09AUG10	JR	SM

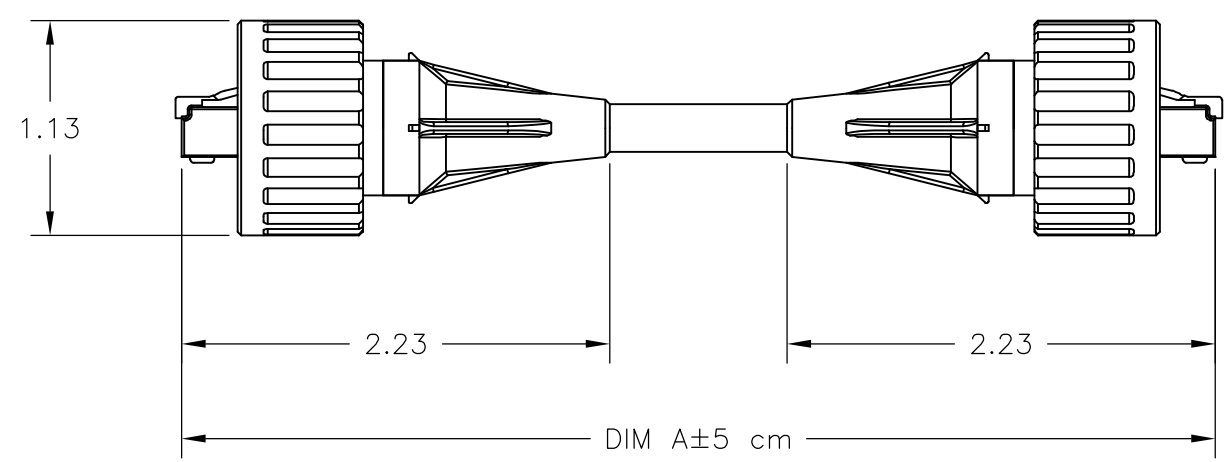
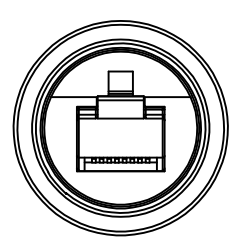


FIGURE 1

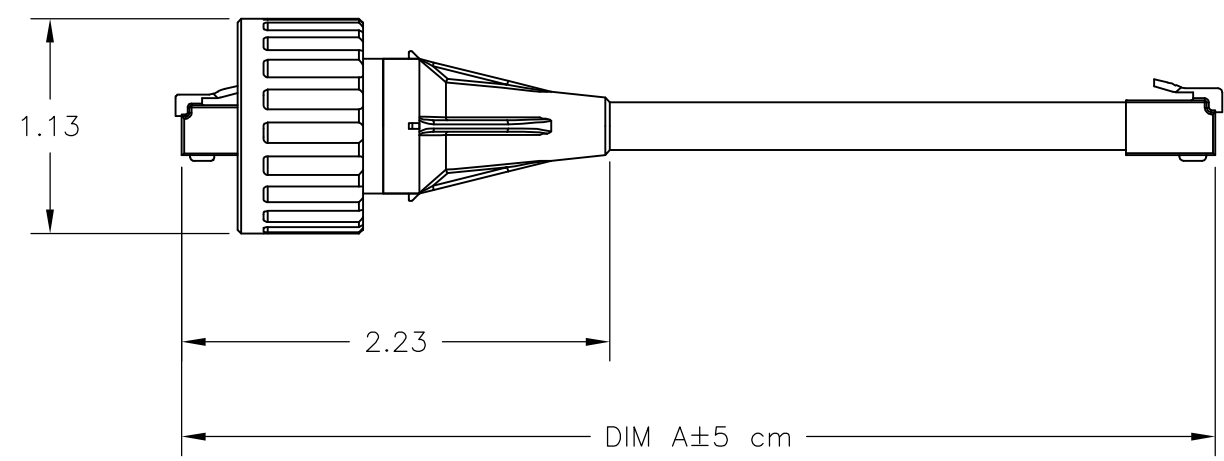
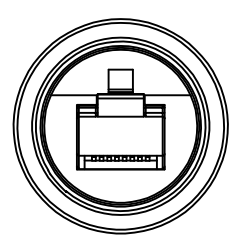
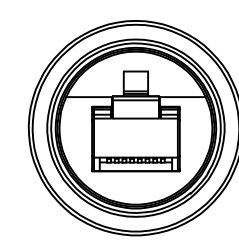


FIGURE 2

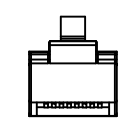


	FIG 1	22.86 M +14/-0 CM	1-1546451-5
	FIG 2	2 METERS+8.89/-0 CM	1-1546451-4
	FIG 1	10 METERS+31.75/-0 CM	1-1546451-3
	FIG 1	5 METERS+16.51/-0 CM	1-1546451-2
	FIG 1	1 METER+5.56/-0 CM	1-1546451-1
SUPERSEDED	FIG 2	2 METERS	1546451-4
SUPERSEDED	FIG 1	10 METERS	1546451-3
SUPERSEDED	FIG 1	5 METERS	1546451-2
SUPERSEDED	FIG 1	1 METER	1546451-1
	FIGURE	DIM A	PART NO.

THIS DRAWING IS A CONTROLLED DOCUMENT.		DWN S SCHLEGEL 12NOV02	Tyco Electronics Corporation Harrisburg, PA 17105	
DIMENSIONS: INCHES		CHK H WAKEEM 11/12/02		
TOLERANCES UNLESS OTHERWISE SPECIFIED: 0 PLC ± - 1 PLC ± - 2 PLC ± .02 3 PLC ± .005 4 PLC ± - ANGLES ± 2'		APVD H WAKEEM 11/12/02	NAME INDUSTRIAL ETHERNET CORDSET, SOLID CORE, DOUBLE ENDED INDUSTRIAL	
MATERIAL -		FINISH -	PRODUCT SPEC -	APPLICATION SPEC -
		WEIGHT -	SIZE A3	CAGE CODE 00779
		DRAWING NO C-1546451		RESTRICTED TO -
CUSTOMER DRAWING		SCALE NTS	SHEET 1 OF 1	REV G1