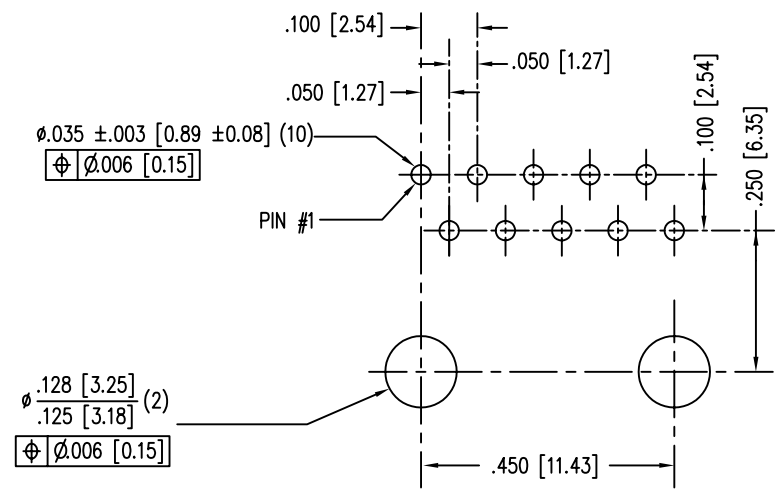
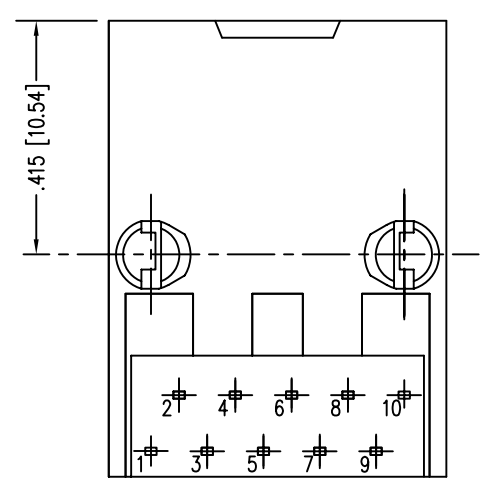
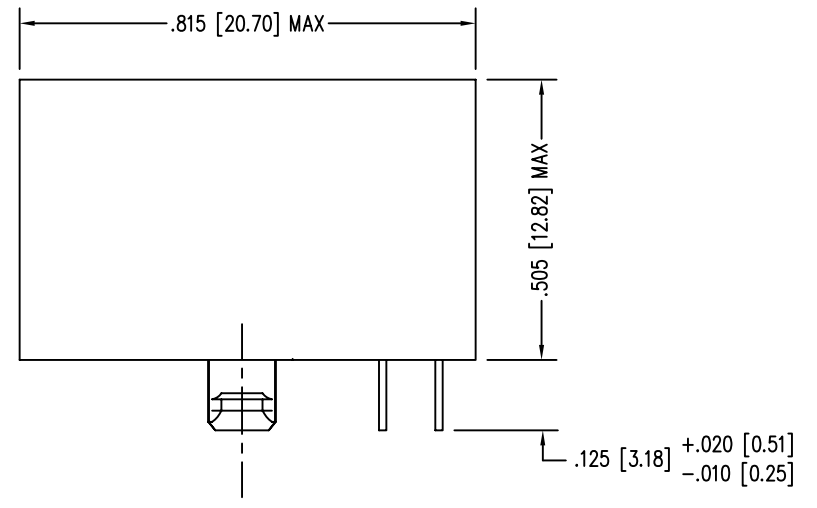
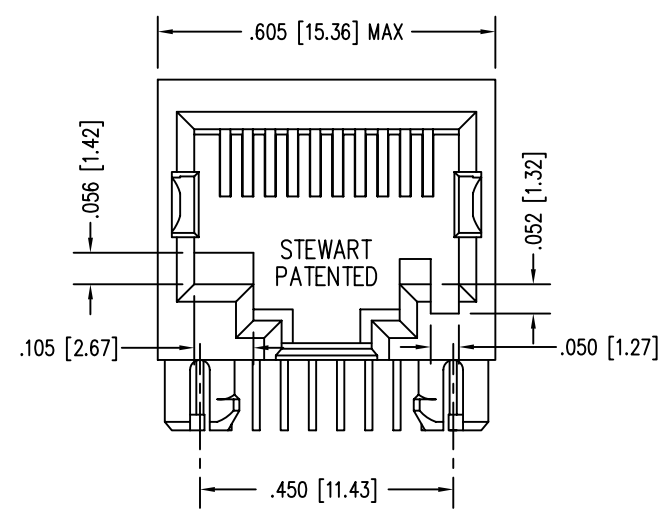


| DATE | REV | ECN | APP'D. BY |
|----------|-----|------|-----------|
| 03-18-05 | A0 | - | - |
| 1-17-06 | A1 | 7435 | JM |



P.C.B. RECOMMENDED HOLE LAYOUT
SEEN FROM COMPONENT SIDE

ALL CENTERLINE DIMENSIONS ARE BASIC.

NOTES:

- CONNECTOR MATERIALS:
HOUSING: THERMOPLASTIC UL94 V-0
CONTACTS: COPPER ALLOY
CONTACT PLATING: SELECTIVE GOLD IN CONTACT AREA
SEE CHART FOR PART NUMBER
- TOLERANCES COMPLY WITH F.C.C. DIMENSION REQUIREMENTS.
- FOR PRODUCT SPECIFICATIONS SEE PR022-01

| | |
|-----------------------------------|--------------|
| 30 MICRO-INCHES [0.76um] | SS64100-036F |
| CONTACT PLATING IN MATING AREA | PART NUMBER |

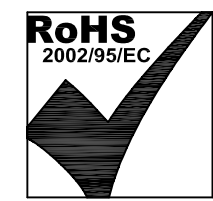
THIRD ANGLE PROJECTION

DO NOT SCALE DRAWING
DRAWING IS SUBJECT TO
CHANGE WITHOUT NOTICE

DIMENSIONS: INCHES [METRIC]

UNLESS OTHERWISE SPECIFIED
TOLERANCES ARE ± 0.05 [0.13]
ANGLES ARE $\pm 1^\circ$

SHEET NO. 1 OF 1



Bel Stewart Connector

11118 Susquehanna Trail South
Glen Rock, PA 17327-9199
(717) 235-7512 Fax: (717) 235-7954 <http://www.stewartconnector.com>

TITLE: TEN CONTACT, TEN POSITION JACK
NON-FLANGE, RMK KEY OPTION

| | |
|-------------------|---------------|
| DRN BY: RVO | DATE 03-18-05 |
| CKD BY: DHG | DATE 03-21-05 |
| APPD BY: RGC | DATE 03-21-05 |
| DWG NO. CT640075F | REV. A1 |

THIS DRAWING AND THE SUBJECT MATTER SHOWN THEREON ARE CONFIDENTIAL AND THE PROPRIETARY PROPERTY OF BEL STEWART CONNECTOR AND SHALL NOT BE REPRODUCED, COPIED, OR USED IN ANY MANNER WITHOUT PRIOR WRITTEN CONSENT OF BEL STEWART CONNECTOR. THE SUBJECT MATTER MAY BE PATENTED OR A PATENT MAY BE PENDING.