


MATERIAL AND FINISHES:

SEE SD-85305-0232

P/N: 73415-6180: THIS IS P/N: 85305-0232 PLACED IN A SINGLE BAG  
 73415-6181: THIS IS P/N: 85305-0232 PLACED IN TAPE AND REEL  
 WITH KAPTON TAPE

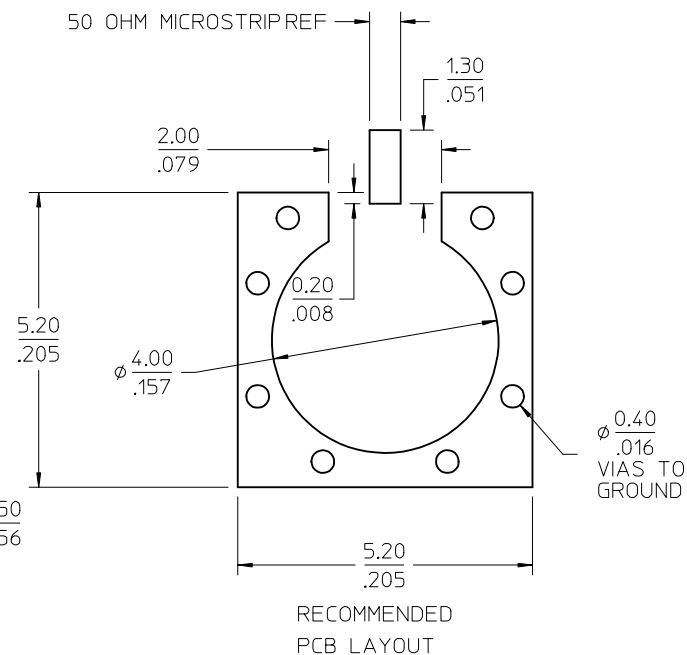
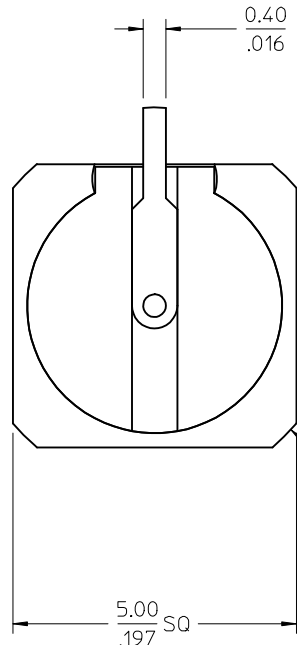
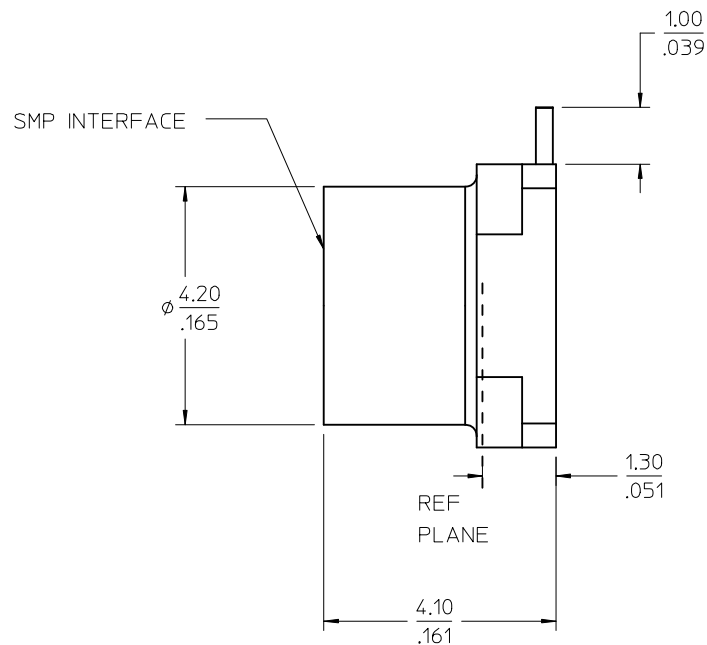
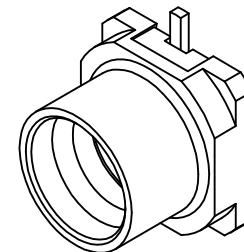
CHG: ADDED-6181 EC NO: URF2010-0353 DRWN: JLEE02 2009/12/15 CHKD: SSS 2009/12/15 APPR: WIENER 2009/12/15	DESCRIPTION REV	QUALITY SYMBOLS ▼=0 ▽=0	GENERAL TOLERANCES (UNLESS SPECIFIED)		DIMENSION STYLE MM/IN		SCALE	DESIGN UNITS METRIC	THIRD ANGLE PROJECTION	
			4 PLACES ± --- ± --- 3 PLACES ± --- ± --- 2 PLACES ± --- ± --- 1 PLACE ± --- ± ---	mm INCH	DRAWN BY DATE SSS 2007/05/11	TITLE SMP, PLUG SMT LIMITED DETENT SMP-P/PCB				
			ANGULAR ± 2 °	CHECKED BY DATE AZR 2007/05/11	APPROVED BY DATE JDW 2007/05/11		 MOLEX INCORPORATED			
		DRAFT WHERE APPLICABLE MUST REMAIN WITHIN DIMENSIONS	MATERIAL NO. 734156180	DOCUMENT NO. SD-73415-618	SHEET NO. 1 OF 1					

MATERIALS AND FINISHES

BODY, CONTACT: BRASS  
 PLATED GOLD (30u")  
 OVER NICKEL (100u")

INSULATOR: LCP  
 UL FLAMMABILITY RATING 94 V-0

TAPE: SHEET 2  
 REEL: SHEET 3



MIL-STD-348A, FIG. 326.3	INTERFACE
SPECIFICATION	DESCRIPTION

73415-6181	TAPE AND REEL WITH KAPTON TAPE
73415-6180	85305-0232, ONE PER BAG
85305-0232	TAPE AND REEL
PART NO.	PACKAGING

CHG: MATERIAL WAS PEEK OR LCP

EC NO: URF2013-0558

DRWN: JWIENER 2013/04/08

CHKD: SSS 2013/04/08

APPR: JWIENER 2013/04/15

REV: B8

QUALITY SYMBOLS

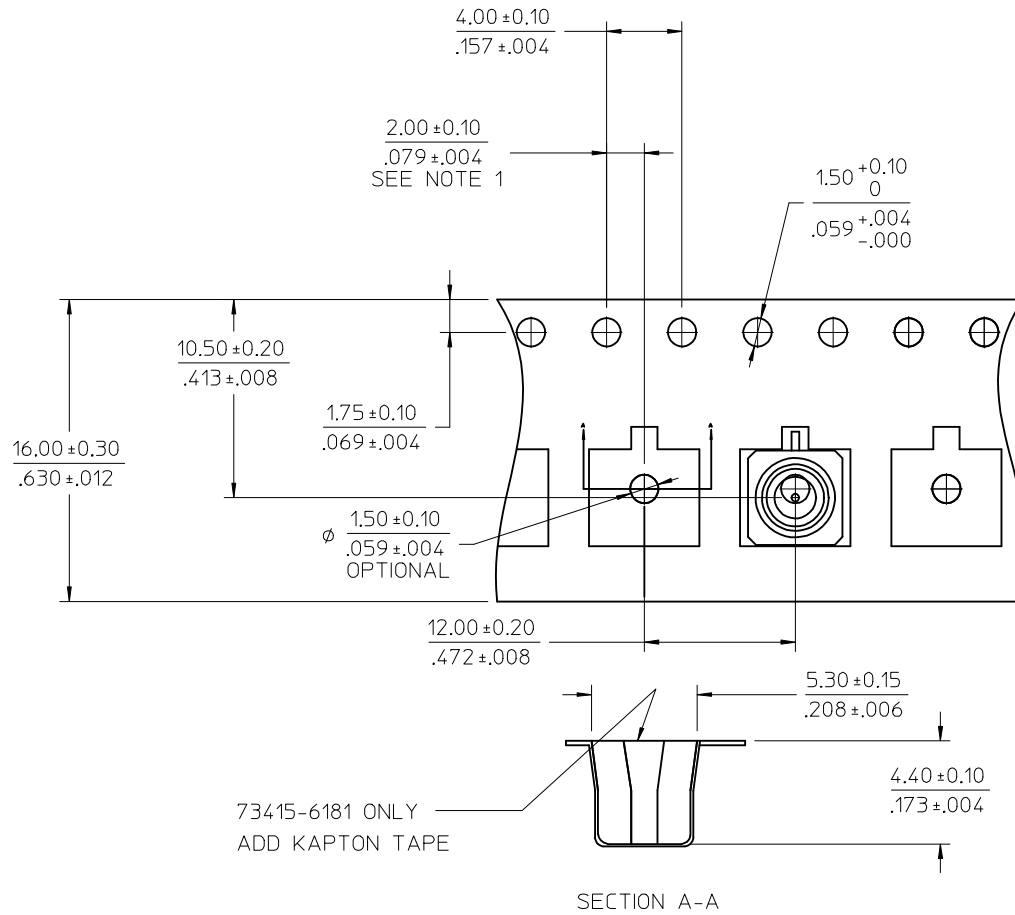
▽=0

▽=0

DESCRIPTION

GENERAL TOLERANCES (UNLESS SPECIFIED)	DIMENSION STYLE MM/IN	SCALE	DESIGN UNITS METRIC	THIRD ANGLE PROJECTION
4 PLACES ± --- ± ---	DRAWN BY LMB	DATE 2005/07/29	TITLE SMP, PLUG SMT LIMITED DETENT SMP-P/PCB	
3 PLACES ± --- ± ---	CHECKED BY GMH	DATE 2005/07/29	MOLEX INCORPORATED	
2 PLACES ± --- ± ---	APPROVED BY GMH	DATE 2005/07/29	DOCUMENT NO. SD-85305-0232	SHEET NO. 1 OF 3
1 PLACE ± --- ± ---	MATERIAL NO. SEE TABLE	SIZE C	THIS DRAWING CONTAINS INFORMATION THAT IS PROPRIETARY TO MOLEX INCORPORATED AND SHOULD NOT BE USED WITHOUT WRITTEN PERMISSION	
ANGULAR ± 2 °				
DRAFT WHERE APPLICABLE MUST REMAIN WITHIN DIMENSIONS				

NOTE:  
1. 10 PITCHES CUMULATIVE TOLERANCE ±0.20(.008)



CHG:  
ADDED KAPTON TAPE

EC NO: URF2013-0558  
DRAWN: JWIENER 2013/04/08  
CHKD: SSS 2013/04/08  
APPR: JWIENER 2013/04/15

QUALITY SYMBOLS  
▽=0  
▽=0

GENERAL TOLERANCES (UNLESS SPECIFIED)

	mm	INCH
4 PLACES	± .10	± .004
3 PLACES	± .15	± .006
2 PLACES	± .20	± .008
1 PLACE	± .30	± .012

ANGULAR ± 2 °

DRAFT WHERE APPLICABLE  
MUST REMAIN  
WITHIN DIMENSIONS

DIMENSION STYLE  
MM/IN

DRAWN BY DATE  
LMB 2005/07/29

CHECKED BY DATE  
GMH 2005/07/29

APPROVED BY DATE  
GMH 2005/07/29

MATERIAL NO.  
SEE SHEET 1

SIZE  
C

SCALE  
DESIGN UNITS  
METRIC

THIRD ANGLE PROJECTION

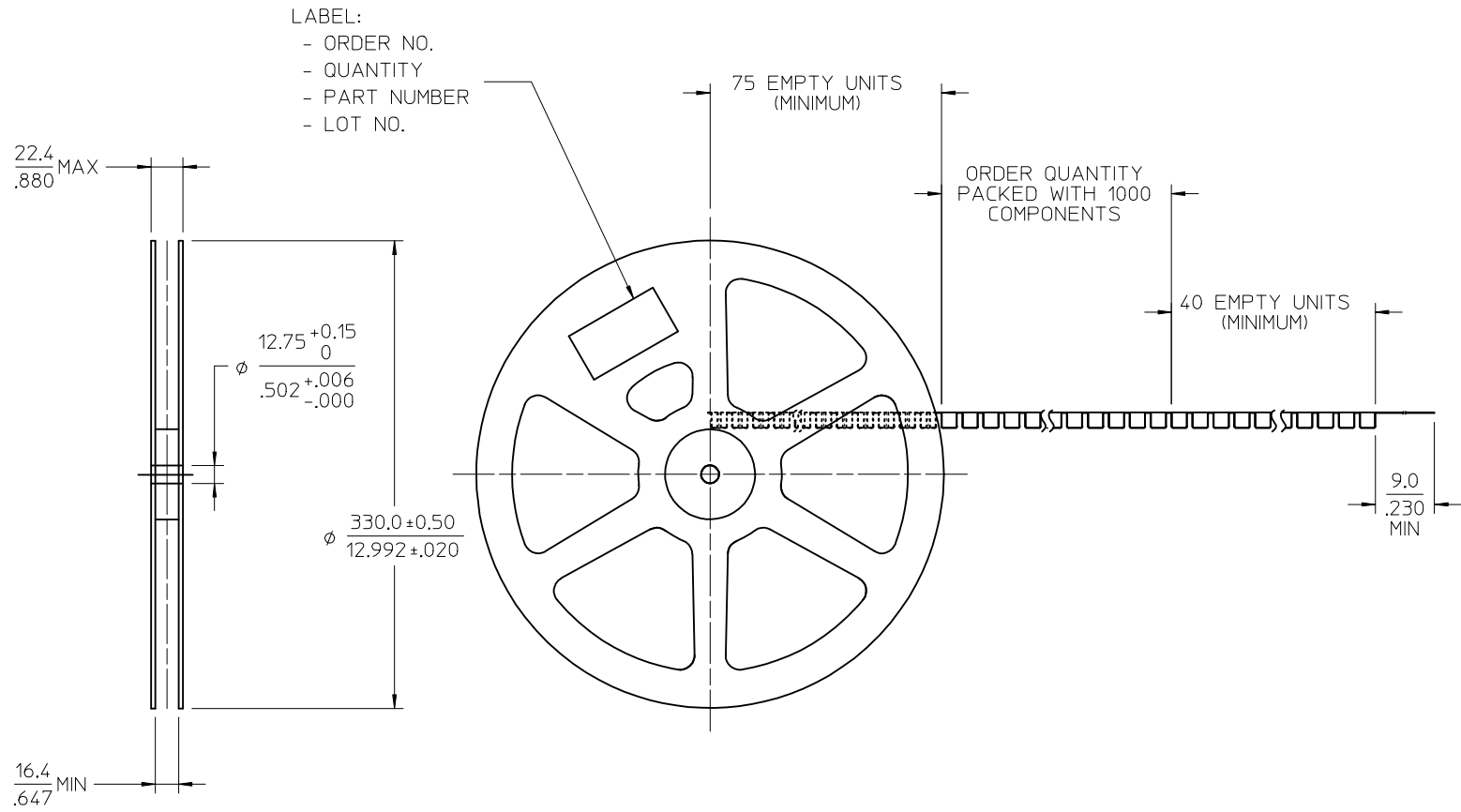
TITLE  
SMP, PLUG SMT  
LIMITED DETENT  
SMP-P/PCB

MOLEX INCORPORATED

DOCUMENT NO.  
SD-85305-0232

SHEET NO.  
2 OF 3

THIS DRAWING CONTAINS INFORMATION THAT IS PROPRIETARY TO MOLEX INCORPORATED AND SHOULD NOT BE USED WITHOUT WRITTEN PERMISSION



CHG: SEE SHEET 1 EC NO: URF2013-0558 DRWN: JWIENER 2013/04/08 CHKD: SSS 2013/04/08 APPR: JWIENER 2013/04/15	QUALITY SYMBOLS ▽=0 ▽=0	GENERAL TOLERANCES (UNLESS SPECIFIED)		DIMENSION STYLE MM/IN		SCALE	DESIGN UNITS METRIC	THIRD ANGLE PROJECTION			
		4 PLACES ± --- ± ---	3 PLACES ± --- ± ---	2 PLACES ± --- ± ---	1 PLACE ± --- ± ---	DRAWN BY LMB	DATE 2005/07/29	TITLE SMP, PLUG SMT LIMITED DETENT SMP-P/PCB			
		ANGULAR ± 2 °				CHECKED BY GMH	DATE 2005/07/29	MOLEX INCORPORATED			
		DRAFT WHERE APPLICABLE MUST REMAIN WITHIN DIMENSIONS				APPROVED BY GMH	DATE 2005/07/29	MATERIAL NO. SEE SHEET 1	DOCUMENT NO. SD-85305-0232	SHEET NO. 3 OF 3	