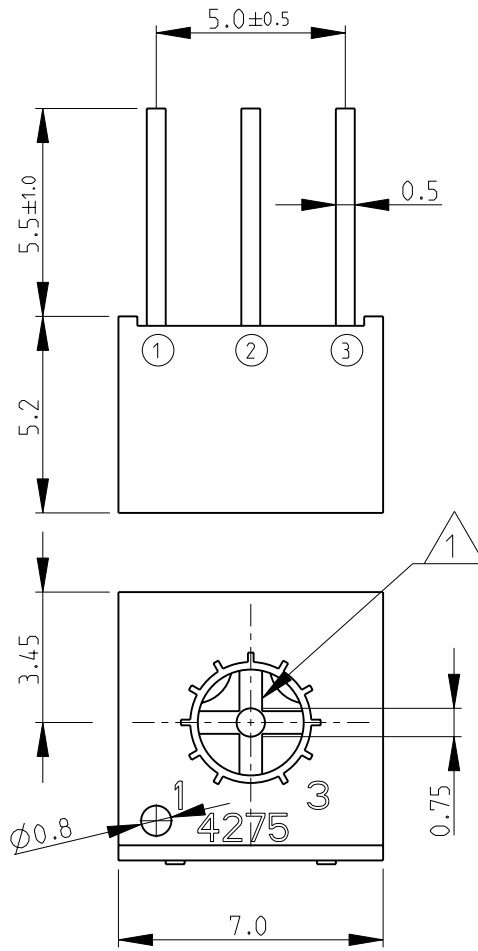
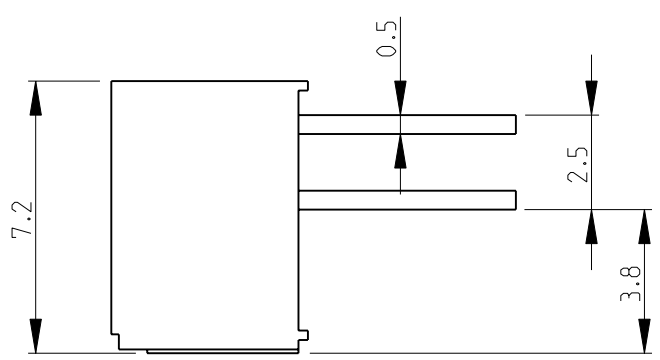


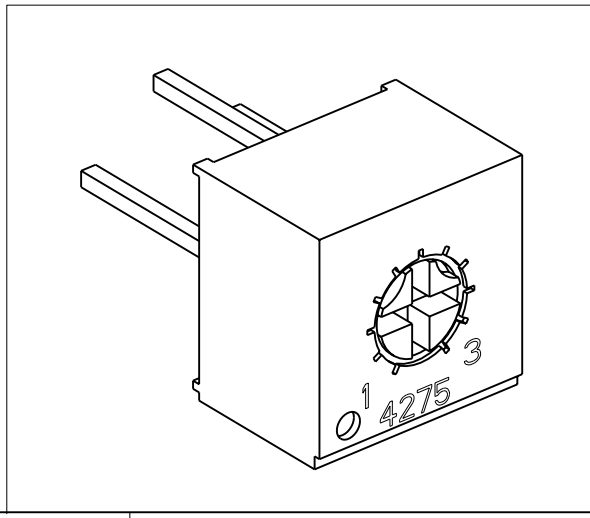
LOC	DIST	REVISIONS			
P	LTR	DESCRIPTION	DATE	DWN	APVD
E	B				
	BA	NEW RELEASE	17-NOV-08	SM	St.P



- 1 TOP ADJUSTMENT SLOT:  
LENGTH- 2.8mm, WIDTH- 0.6mm, DEPTH- 0.9mm
- 2 FOR FURTHER INFORMATION SEE DATA SHEET FOR  
4275 SERIES-PROFESSIONAL TRIMMERS



RoHS Compliant



2008  
 RELEASED FOR PUBLICATION  
 THIS DRAWING IS UNPUBLISHED.  
 COPYRIGHT 2008 BY TYCO ELECTRONICS CORPORATION. ALL RIGHTS RESERVED.

DIMENSIONS: mm  TOLERANCES UNLESS OTHERWISE SPECIFIED: 0 PLC ±0.2 1 PLC ±0.1 2 PLC ± 3 PLC ± 4 PLC ± ANGLES ±5°	DWN SUBHASH.M 17-NOV-08	MATERIAL -	FINISH -
	CHK PRAKASH.S 17-NOV-08	Tyco Electronics Corporation Dorcan, Swindon, SN3 5HH	
	APVD STEPHEN.P 17-NOV-08	NAME PROFESSIONAL TRIMMERS SERIES 4275P	
	PRODUCT SPEC -	SIZE A 4	RESTRICTED TO -
	APPLICATION SPEC -	CAGE CODE 00779	DRAWING NO C-1623900
	WEIGHT 0.6g	SCALE 5:1 SHEET 1 OF 1 REV BA	
CUSTOMER DRAWING			