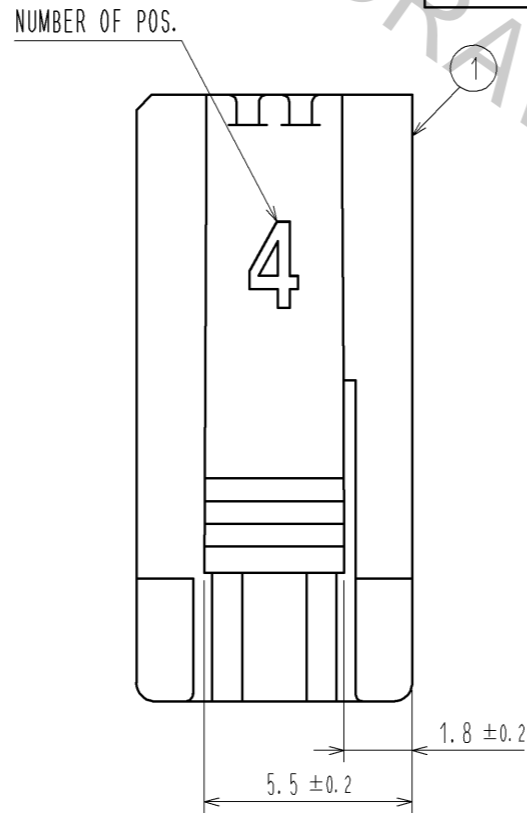
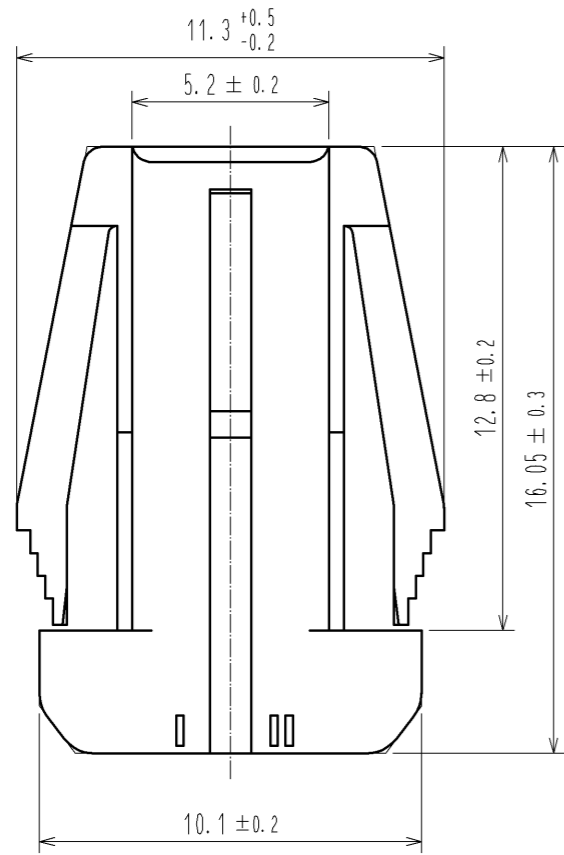
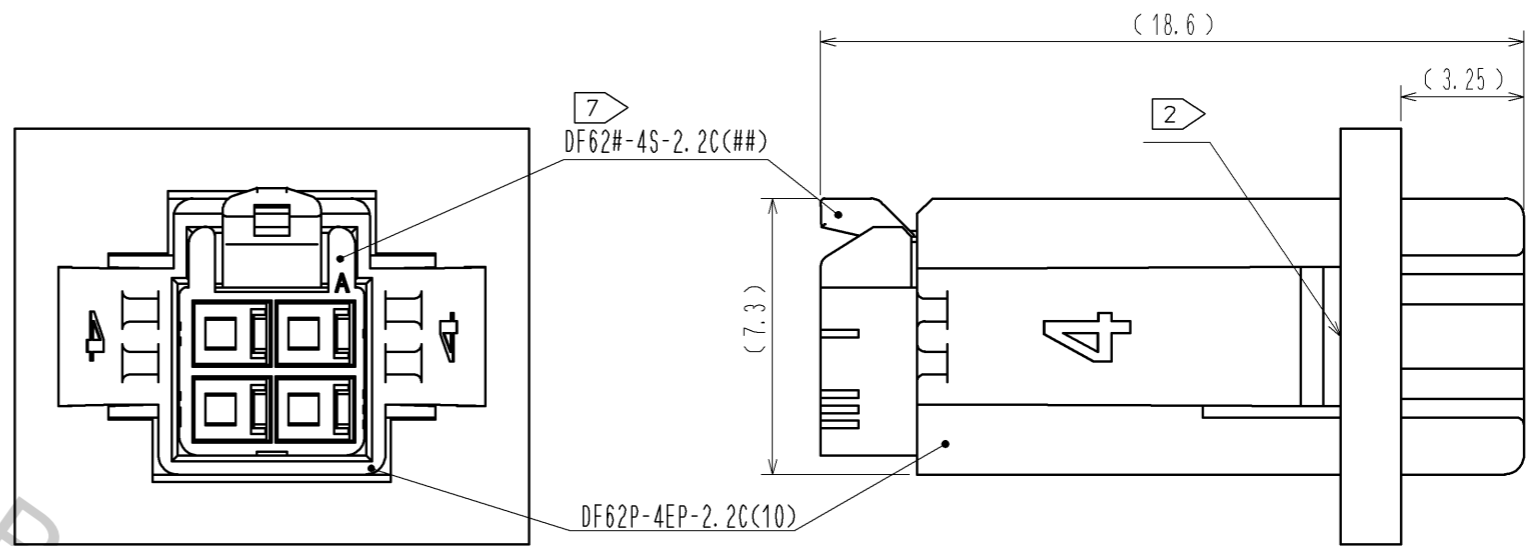
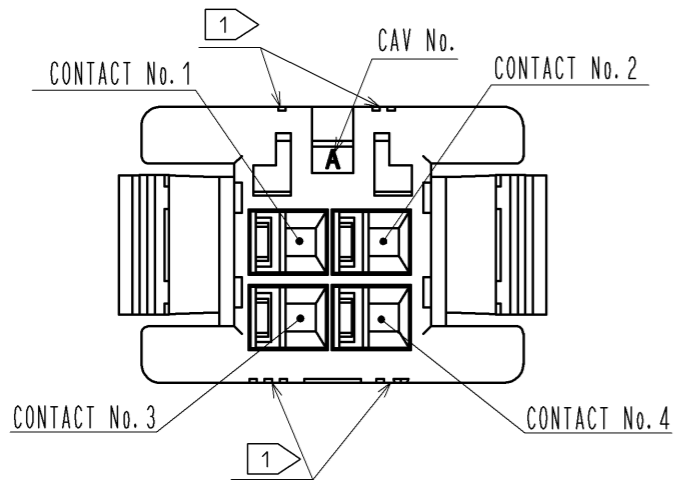
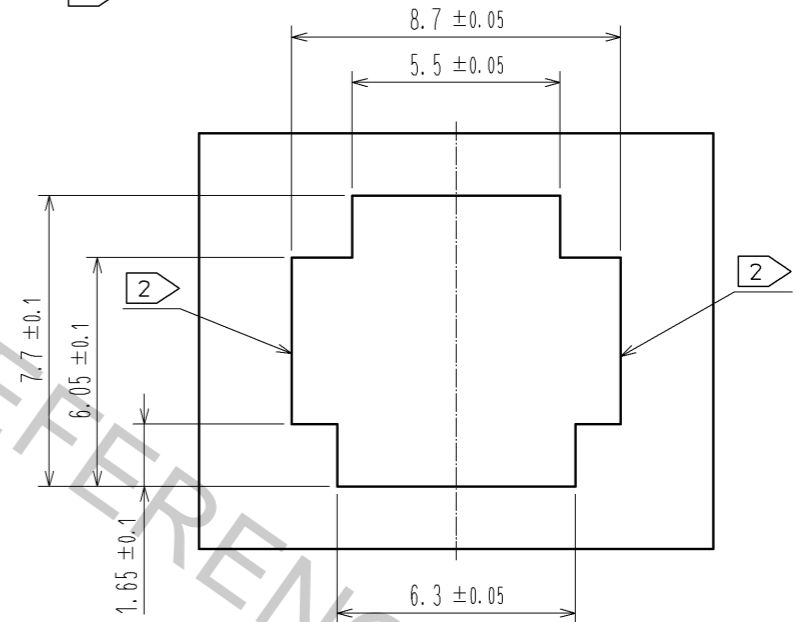


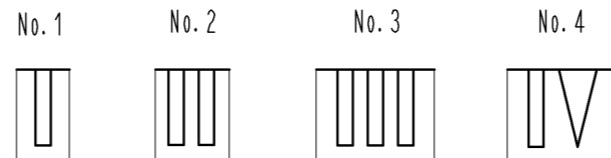
7 MATING FIGURE (PANEL MOUNTED)



3 4 RECOMMENDED PANEL CUTOUT DIMENSION



1 FIGURE-1 CONTACT No. MARKING (10:1)



- NOTE.
- 1 MARKINGS AT THE INDICATED POSITIONS ARE CONTACT NO. MARKING, AND SHAPES ARE SHOWN IN FIGURE-1.
 - 2 PLEASE USE THE NON-RADIUS SIDE FOR THE PANEL HOOKING AREA.
 - 3 APPLICABLE PANEL THICKNESS IS 2.3 TO 0.5mm.
 - 4 CONSULT HIROSE FOR THE OTHER PANEL CUTOUT DESIGNS THAN THE RECOMMENDED ONE.
 5. PER PACK : 100 PIECES.
 6. THE DIMENSIONS IN PARENTHESIS ARE FOR REFERENCE.
 - 7 THIS FIGURE SHOWS THE MATED CONDITION WITH DF62B-4S-2.2C.

NO.	MATERIAL	FINISH . REMARKS	NO.	MATERIAL	FINISH . REMARKS
			1	PBT	UL94V-0(WHITE)
UNITS mm		SCALE 5 : 1	DESCRIPTION OF REVISIONS		
		COUNT	DESIGNED	CHECKED	DATE
APPROVED : KI. AKIYAMA			14. 03. 10	DRAWING NO. EDC3-349137-01	
CHECKED : HK. UMEHARA			14. 03. 10	PART NO. DF62P-4EP-2. 2C(10)	
DESIGNED : TS. KUMAZAWA			14. 03. 07	CODE NO. CL544-0545-7-10	
DRAWN : TS. KUMAZAWA			14. 03. 07		