

4

3

2

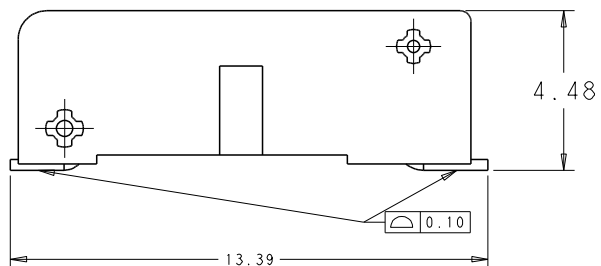
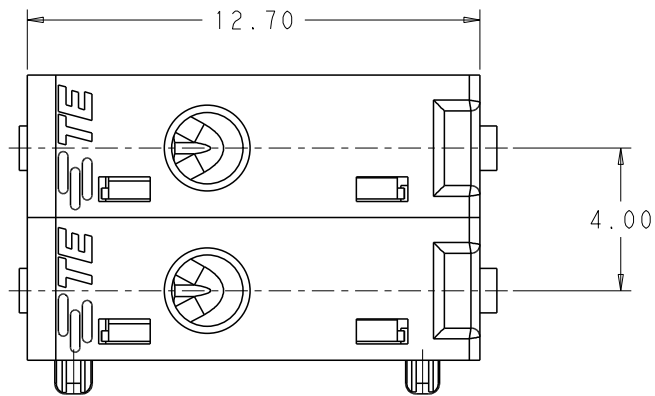
1

THIS DRAWING IS UNPUBLISHED. RELEASED FOR PUBLICATION 20
 © COPYRIGHT 20 BY - ALL RIGHTS RESERVED.

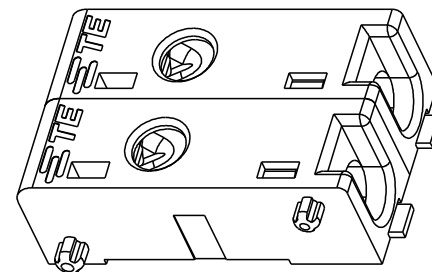
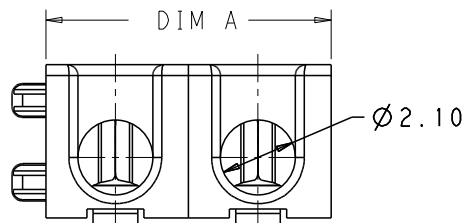
REVISIONS				
P	LYR	DESCRIPTION	DATE	DWN APVD
A		ECR-15-012540, RELEASE TO PRODUCTION	25AUG2015	G.F S.M
B		ECR-15-016620, ADD PCB LAYOUT	20NOV2015	G.F S.M
B1		ADD COLOR P/N	19FEB2016	G.F S.M
B2		ADD P/N:5-2834006-1 and PACKAGE	25MAY2016	G.F S.M

NOTES :

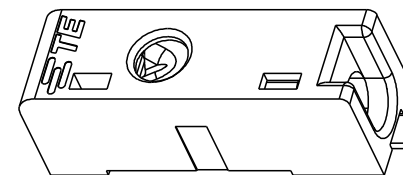
- 1. MATERIALS AND FINISH:
 - HOUSING: HIGH TEMPERATURE RESIN
 - CONTACTS: COPPER ALLOY, FINISH: PRE-TIN OVER NICKEL UNDERPLATE
- 2. MUST COMPLY WITH DIRECTIVE 2002/95/EC (ROHS)
- 3. WIRE TYPES AND SIZES ACCEPTED
 - SOLID WIRE: 18AWG, 20AWG, 22AWG, 16AWG (ONLY ONE TIME INSERTING)
 - STRANDED WIRE(TIN-DIPPED): 18AWG(STRANDS:16); 20AWG(STRANDS:7); 22AWG(STRANDS:7)
 - MAX INSULATION OD: 2.05mm MAX.
 - STRIP LENGTH: 8.0±0.5mm
- 4. PACKAGED IN TAPE AND REEL



SCALE 10:1



NORMAL TYPE



P/N:5-2834006-1

THIS DRAWING IS A CONTROLLED DOCUMENT.		DWN: GEORGE FU 25MAY2016	TE Connectivity	
		CHK: SHI MING 25MAY2016		
DIMENSIONS: (mm)		APVD: XU XIANG 25MAY2016	NAME: CONNECTOR ASSEMBLY RELEASABLE POKE-IN	
TOLERANCES UNLESS OTHERWISE SPECIFIED:		PRODUCT SPEC: 108-137055	RESTRICTED TO: -	
0 PLC ±- 1 PLC ±0.2 2 PLC ±0.13 3 PLC ±- 4 PLC ±- ANGLES ±- FINISH ±-		APPLICATION SPEC: 114-137055	SIZE: A2	CAGE CODE: C=2834006
MATERIAL:		WEIGHT: -	SCALE: 10:1	SHEET: 1 OF 4
		CUSTOMER DRAWING	REV: B2	

4

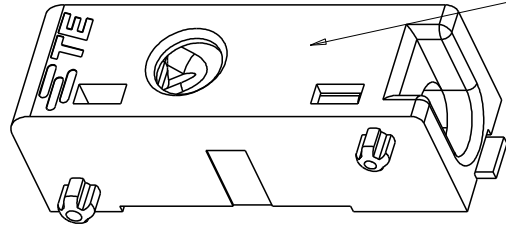
3

2

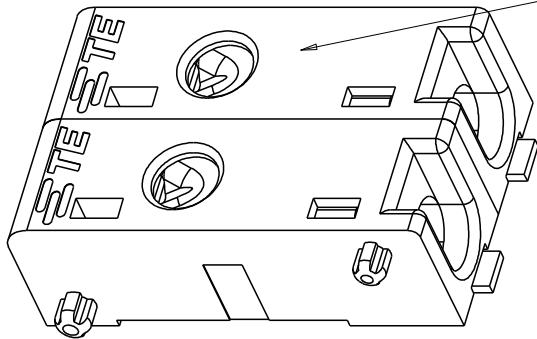
1

THIS DRAWING IS UNPUBLISHED. BY - ALL RIGHTS RESERVED. RELEASED FOR PUBLICATION 20

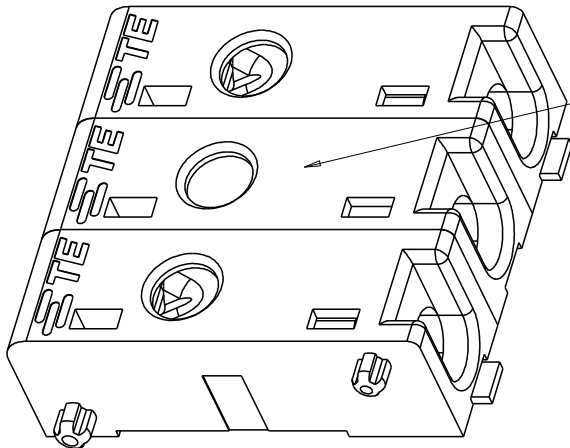
REVISIONS				
P	LYR	DESCRIPTION	DATE	OWN APVD
-	-	SEE SHEET 1	-	-



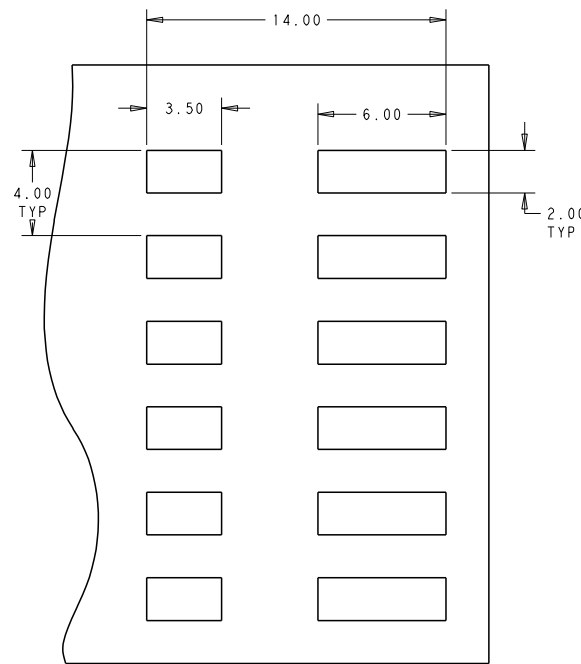
2834006-1
SCALE 10:1



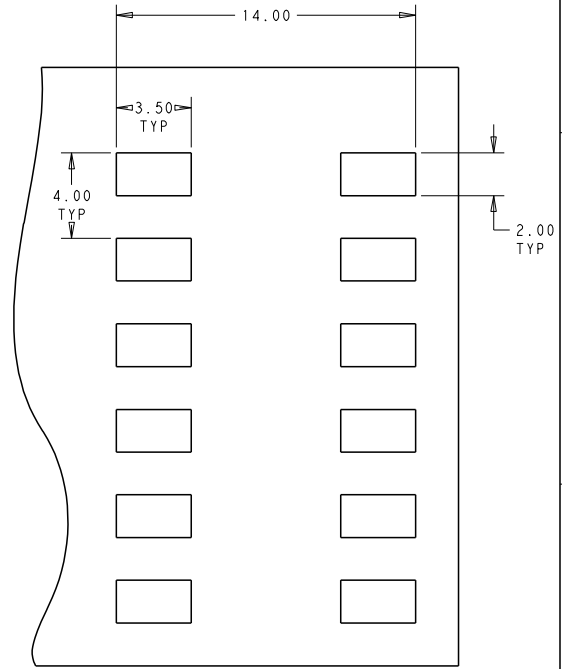
2834006-2
SCALE 10:1



1-2834006-2
SCALE 10:1



SCALE 6:1
RECOMMENDED PCB LAYOUT



SCALE 6:1
OPTIONAL PCB LAYOUT

THIS DRAWING IS A CONTROLLED DOCUMENT.		DWN: GEORGE FU 25MAY2016	TE Connectivity	
DIMENSIONS: (mm)		CHK: SHI MING 25MAY2016		
TOLERANCES UNLESS OTHERWISE SPECIFIED:		APVD: XU XIANG 25MAY2016	NAME: CONNECTOR ASSEMBLY RELEASABLE POKE-IN	
0 PLC ±		PRODUCT SPEC: 108-137055	RESTRICTED TO: -	
1 PLC ±0.2		APPLICATION SPEC: 114-137055	SIZE: A2	CAGE CODE: -
2 PLC ±0.13		WEIGHT: -	SCALE: 10:1	
3 PLC ±		CUSTOMER DRAWING	SHEET 2 OF 4	
4 PLC ±			REV B2	
ANGLES FINISH				
MATERIAL: SEE SHEET 1				

4

3

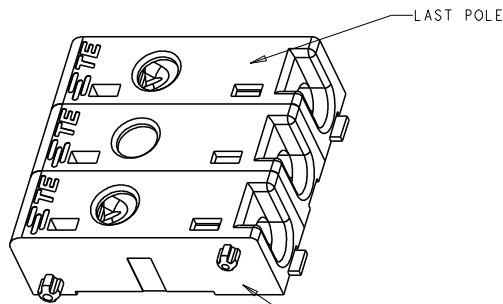
2

1

THIS DRAWING IS UNPUBLISHED. RELEASED FOR PUBLICATION 20
 © COPYRIGHT 20 BY - ALL RIGHTS RESERVED.

REVISIONS					
P	LYR	DESCRIPTION	DATE	DWN	APVD
-	-	SEE SHEET1			

20.00	5 HSG:3 POSN	-	-	-	-	5-2834006-0	6-2834006-0	7-2834006-0	8-2834006-0	-
	COLOR	-	-	-	-	BLACK/BLACK SPACER/RED/RED SPACER/NATURE	NATURE/BLACK SPACER/RED/BLACK SPACER/NATURE	RED/RED SPACER/NATURE/NATURE SPACER/BLACK SPACER/BLACK	NATURE/NATURE SPACER/BLACK/BLACK SPACER/RED	-
20.00	5 Position	2834006-5	2-2834006-5	3-2834006-5	4-2834006-5	5-2834006-5	6-2834006-5	7-2834006-5	8-2834006-5	9-2834006-5
	COLOR	NATURE(ALL)	BLACK(ALL)	RED(ALL)	BRIGHT WHITE(ALL)	BLACK/NATURE/BLACK/NATURE/RED	BLACK/RED/NATURE/BLACK/RED	NATURE/BLACK/RED/NATURE/RED	BLACK/NATURE/RED/BLACK/NATURE	RED/BLACK/NATURE/RED/NATURE
16.00	4 POSITION	2834006-4	2-2834006-4	3-2834006-4	4-2834006-4	5-2834006-4	6-2834006-4	7-2834006-4	8-2834006-4	9-2834006-4
	COLOR	NATURE(ALL)	BLACK(ALL)	RED(ALL)	BRIGHT WHITE(ALL)	BLACK/NATURE/BLACK/NATURE	BLACK/RED/BLACK/RED	NATURE/BLACK/NATURE/RED	NATURE/RED/BLACK/NATURE	BLACK/NATURE/RED/NATURE
12.00	3 HSG; 2 POSN	1-2834006-1	1-2834006-2	1-2834006-3	1-2834006-4	1-2834006-5	1-2834006-6	1-2834006-7	1-2834006-8	1-2834006-9
	COLOR	RED(ALL)	NATURE(ALL)	BLACK(ALL)	BRIGHT WHITE(ALL)	RED/NATURE SPACER/BLACK	BLAC/RED SPACER/NATURE	NATURE/RED SPACER/BLACK	BLACK/NATURE SPACER/RED	RED/BLACK SPACER/NATURE
12.00	3 POSITION	2834006-3	2-2834006-3	3-2834006-3	4-2834006-3	5-2834006-3	6-2834006-3	7-2834006-3	8-2834006-3	9-2834006-3
	COLOR	NATURE(ALL)	BLACK(ALL)	RED(ALL)	BRIGHT WHITE(ALL)	BLACK/NATURE/RED	NATURE/RED/BLACK	RED/BLACK/NATURE	BLACK/RED/NATURE	RED/NATURE/BLACK
8.00	2 POSITION	2834006-2	2-2834006-2	3-2834006-2	4-2834006-2	5-2834006-2	6-2834006-2	7-2834006-2	8-2834006-2	9-2834006-2
	COLOR	NATURE(ALL)	BLACK(ALL)	RED(ALL)	BRIGHT WHITE(ALL)	NATURE/RED	NATURE/BLACK	RED/BLACK	BLACK/NATURE	BLACK/RED
8.00	2 POSITION	1-2834006-0	2-2834006-0	-	-	-	-	-	-	-
	COLOR	GRAY/BLUE	BROWN/YELLOW	-	-	-	-	-	-	-
4.00	1 POSITION	2834006-1	2-2834006-1	3-2834006-1	4-2834006-1	5-2834006-1	-	-	-	-
	COLOR	NATURE(ALL)	BLACK(ALL)	RED(ALL)	BRIGHT WHITE(ALL)	NATURE/PEG CUT	-	-	-	-
DIM A	POSITION No	PART No								



COLOR ARRANGEMENT DESCRIPTION

THIS DRAWING IS A CONTROLLED DOCUMENT.		DWN - GEORGE FU 25MAY2016	TE Connectivity CONNECTOR ASSEMBLY RELEASABLE POKE-IN	
DIMENSIONS: (mm)		CHK - SHI MING 25MAY2016		
TOLERANCES UNLESS OTHERWISE SPECIFIED:		APVD - XU XIANG 25MAY2016	NAME	
0 PLC ±- 1 PLC ±0.2 2 PLC ±0.13 3 PLC ±- 4 PLC ±- ANGLES ±- FINISH -		PRODUCT SPEC 108-137055	RESTRICTED TO	
MATERIAL		APPLICATION SPEC 114-137055	SIZE A2	CAGE CODE
		WEIGHT	DRAWING NO C=2834006	SCALE 10:1
		CUSTOMER DRAWING	SHEET 3 OF 4	REV B2

4

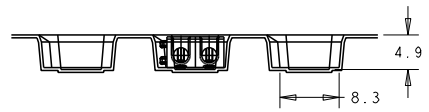
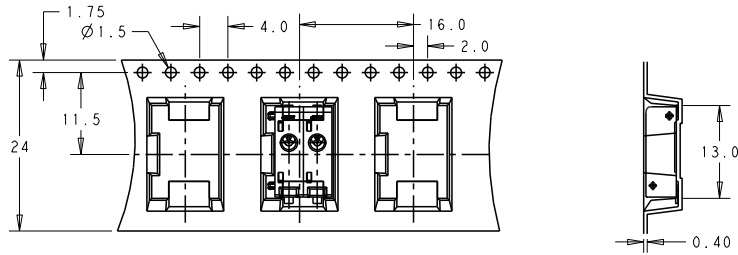
3

2

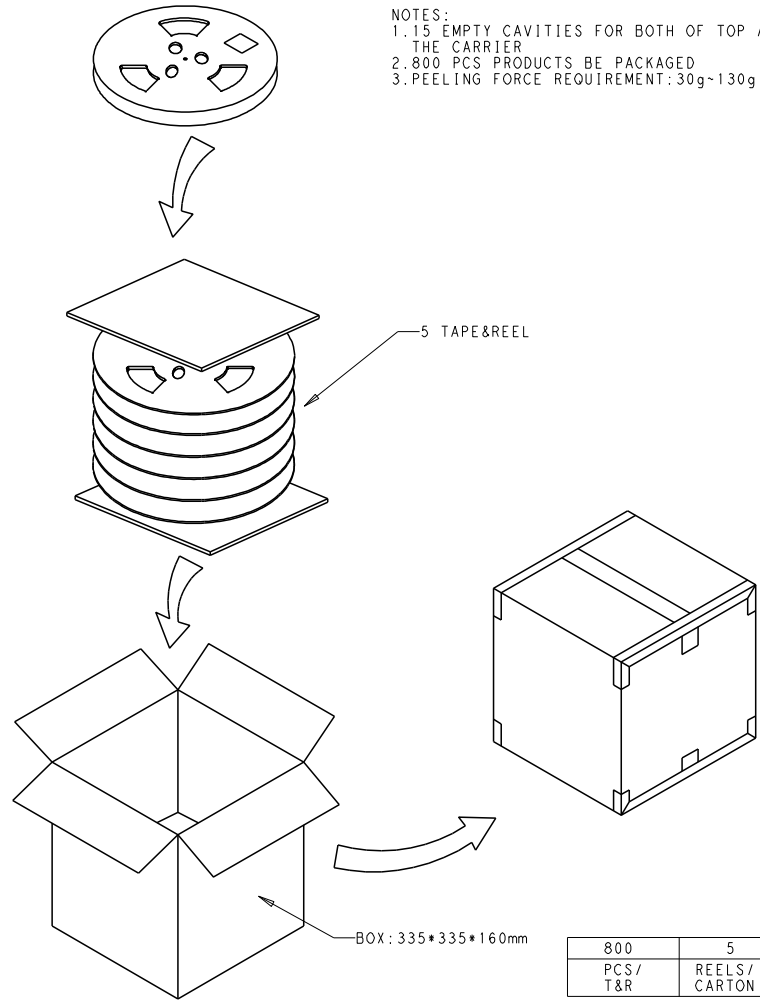
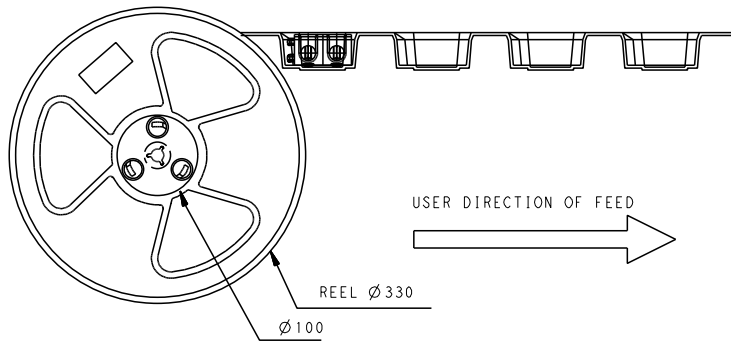
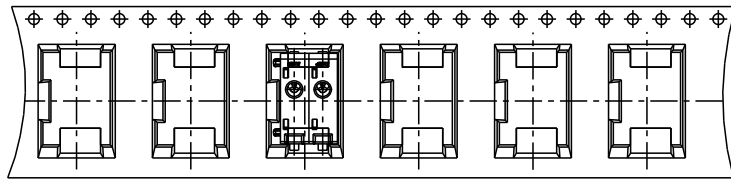
1

THIS DRAWING IS UNPUBLISHED. RELEASED FOR PUBLICATION 20
 © COPYRIGHT 20 BY - ALL RIGHTS RESERVED.

REVISIONS				
P	LYR	DESCRIPTION	DATE	APVD



MATERIALS:
 1. CARRIER--CLEAR PS
 2. REEL--PS
 3. COVER TAPE--PE



NOTES:
 1. 15 EMPTY CAVITIES FOR BOTH OF TOP AND BOTTOM OF THE CARRIER
 2. 800 PCS PRODUCTS BE PACKAGED
 3. PEELING FORCE REQUIREMENT: 30g~130g

800	5	4000
PCS/ T&R	REELS/ CARTON	QUANTITY (PCS)

THIS DRAWING IS A CONTROLLED DOCUMENT.		DWN - GEORGE FU 25MAY2016	TE Connectivity	
DIMENSIONS: (mm)		CHK - SHI MING 25MAY2016		
TOLERANCES UNLESS OTHERWISE SPECIFIED:		APVD - XU XIANG 25MAY2016	NAME	
0 PLC ±0.2		PRODUCT SPEC		CONNECTOR ASSEMBLY RELEASEABLE POKE-IN
2 PLC ±0.13		APPLICATION SPEC		
3 PLC ±0.13		SIZE		RESTRICTED TO
4 PLC ±0.13		CAGE CODE		
ANGLES ±0.5		DRAWING NO		SCALE 10:1 SHEET 4 OF 4 REV B2
FINISH		WEIGHT		
MATERIAL		CUSTOMER DRAWING		