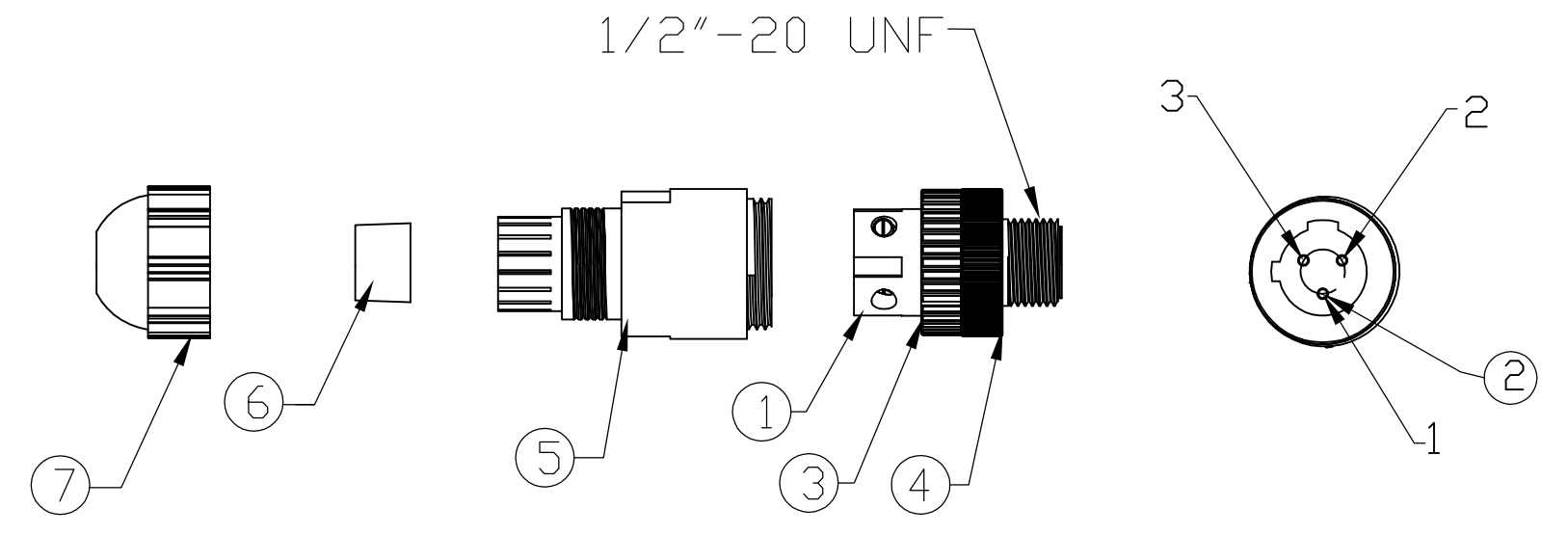
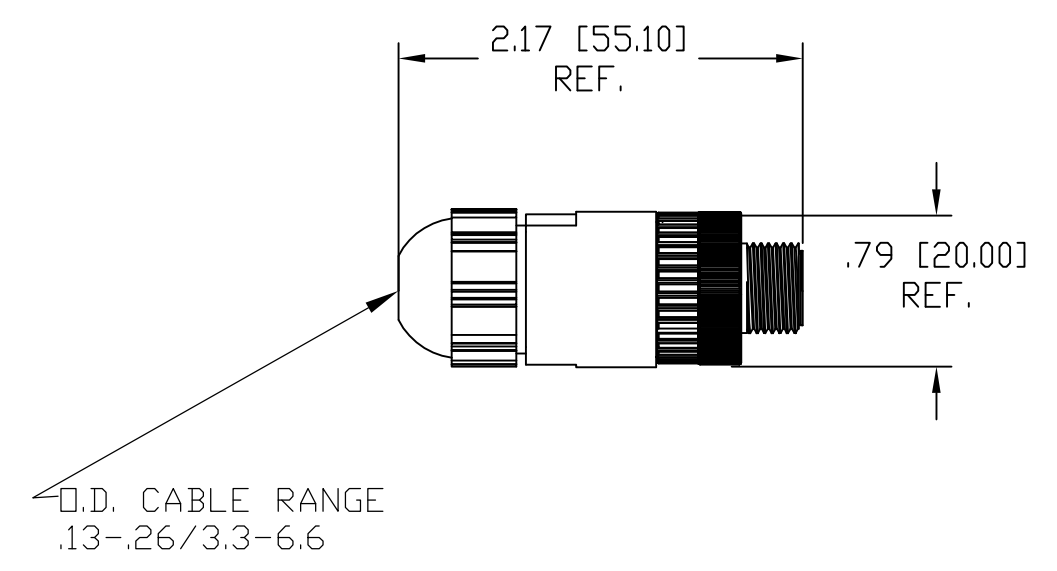
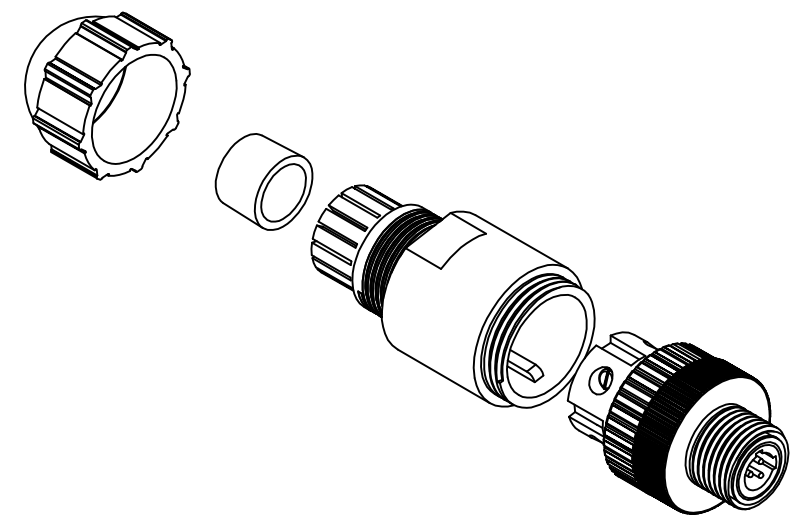
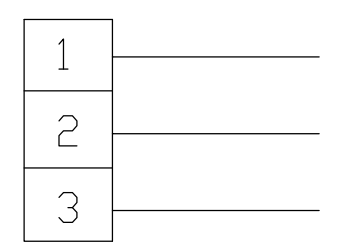


MATERIAL NUMBER	ENGINEERING NUMBER
1200750017	7A3006-31



MALE FACE VIEW



WIRING CHART

VOLTAGE RATING	250VAC/DC
AMPERAGE RATING	4 AMPS
PROTECTION	IP67
OPERATING TEMPERATURE	-40°C TO 185°C

ITEM		COMPONENT	MATERIAL	FINISH
1	1	INSERT	NYLON	BLACK
2	3	CONTACTS	COPPER ALLOY	GOLD PLATED
3	1	O-RING	NITRILE	BLACK
4	1	COUPLING NUT	BRASS	NICKEL PLATED
5	1	MOLDED BODY	NYLON	BLACK
6	1	GROMMET	NITRILE	BLACK
7	1	CORD GRIP BODY	NYLON	BLACK

RELEASE EC NO: WEU2010-0045 DRWN: TWOLDEGE 8/20/09 CH'KD: BWOODMAN APPR: JFMURPHY 2009/08/21	DESCRIPTION A	QUALITY SYMBOL	GENERAL TOLERANCES (UNLESS SPECIFIED)	DIMENSION STYLE	SCALE	DESIGN UNITS	THIRD ANGLE PROJECTION
		$\nabla=0$ $\sphericalangle=0$	4 PLACES mm INCH 3 PLACES ±--- ±--- 2 PLACES ±--- ±.01 1 PLACE ±0.3 ±---	DRAWN BY DATE TWOLDEGE 2009/08/20 CHECKED BY DATE BWOODMAN 2009/08/20 APPROVED BY DATE	TITLE MIC 3P MALE DK ATTACH .13-.26 O.D. CABLE RANGE PG7 CABLE FITTING		
		ANGULAR ±---° DRAFT WHERE APPLICABLE MUST REMAIN WITHIN DIMENSIONS	MATERIAL NO. 1200750017 SIZE C	MOLEX INCORPORATED DOCUMENT NO. SD-120075-005 SHEET NO. 1 OF 1			
		THIS DRAWING CONTAINS INFORMATION THAT IS PROPRIETARY TO MOLEX INCORPORATED AND SHOULD NOT BE USED WITHOUT WRITTEN PERMISSION					