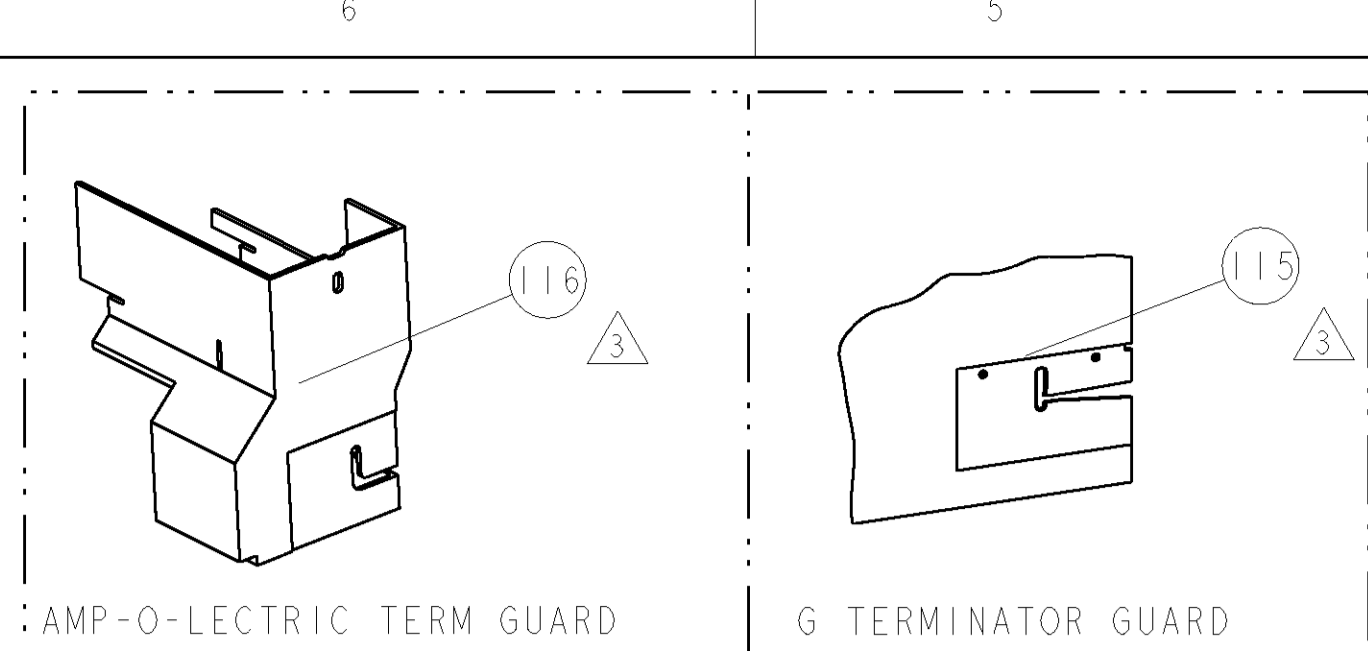


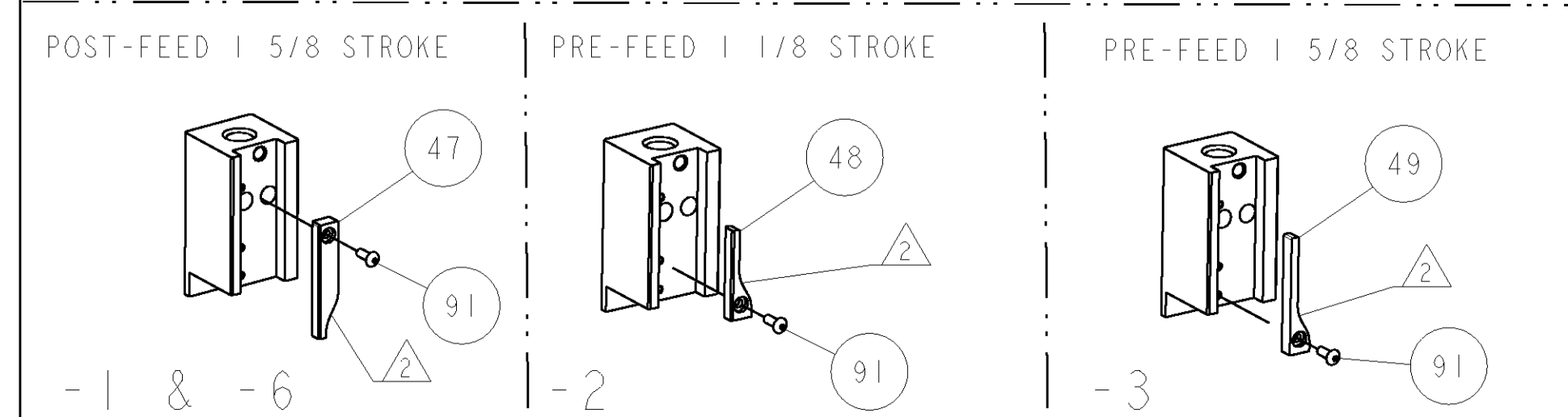
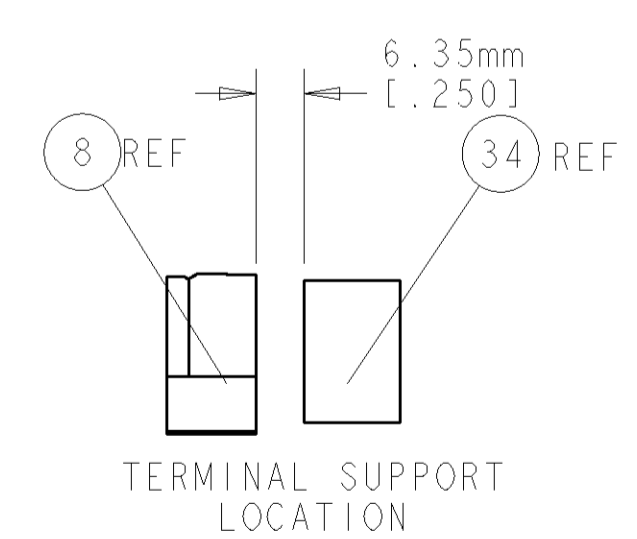
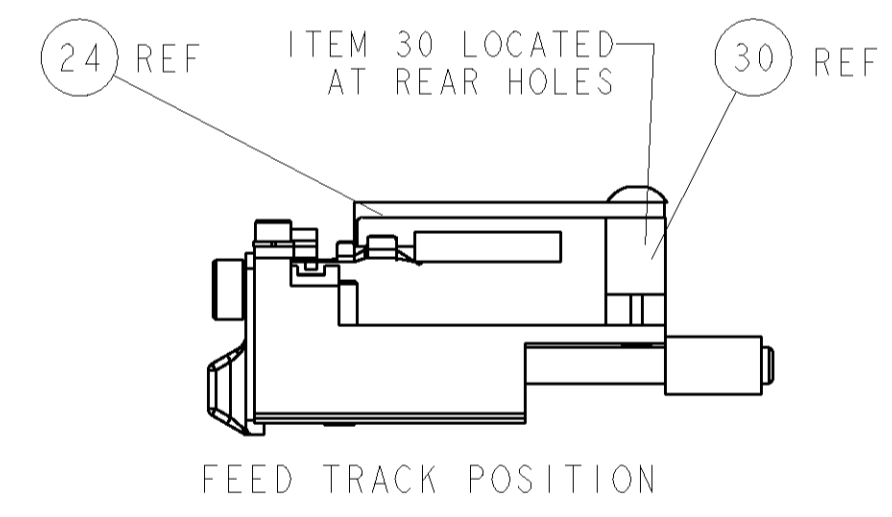
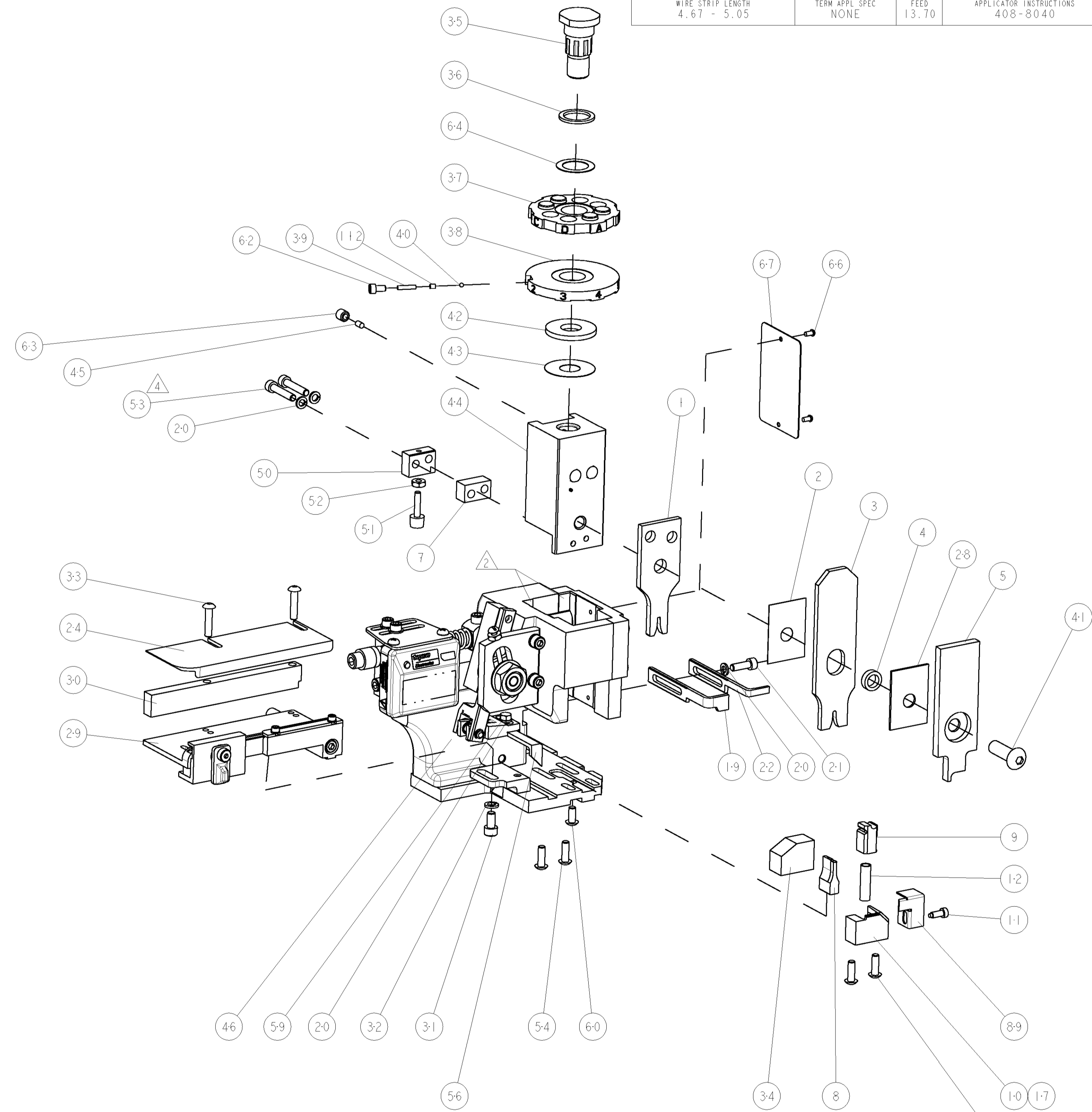
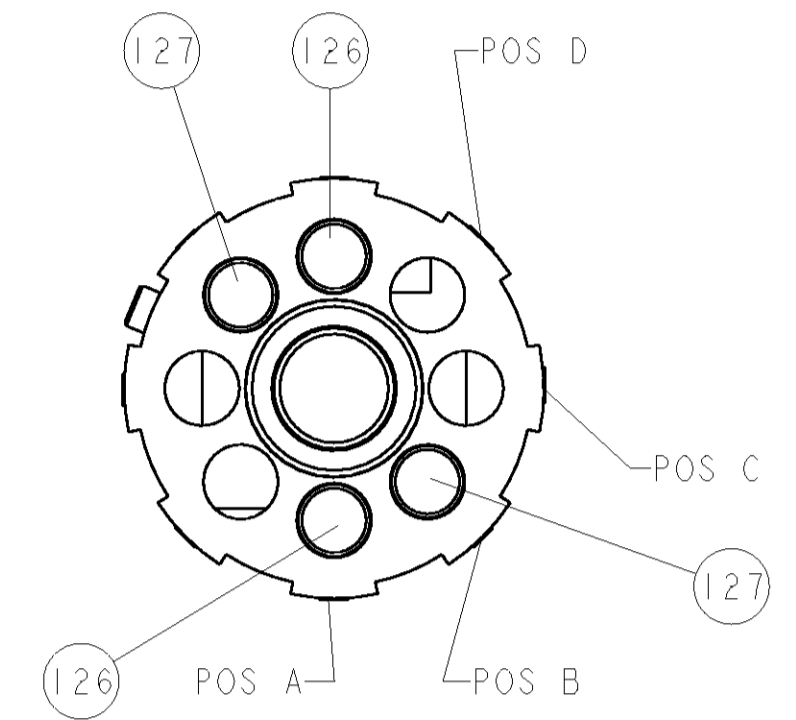
PART NUMBER	REV	FIRST USED	POWER UNIT	FEED TYPE	DESCRIPTION
1852331-1	B	122500-1	LEADMAKER	POST FEED	CUTS CARRIER
1852331-2	B	565435-5	BENCH MODEL K	PRE FEED	CUTS CARRIER
1852331-3	B	354500-1	BENCH MODEL G	PRE FEED	CUTS CARRIER
1852331-6	B	122500-1	LEADMAKER	POST FEED	CONTINUOUS CARRIER
7-1852331-7	B	-	-	-	SPARE PARTS



TYCO ELECTRONICS PN		MFR PN		MOLEX TERMINAL - CARDELL CRIMP SPECS	
1949144	33118-0002				
	F6DB-14487-CA	PAD LTR	CRIMP HEIGHT	WIRE SIZE	
		A	1.25±0.05mm [.049±.002]	18AWG	
		B	1.15±0.05mm [.045±.002]	20AWG	
		C	-	-	
		D	-	-	
		CRIMP	SIZE	TYPE	RANGE
		WIRE	1.88mm [.074]	F	20-18 AWG
		INSUL	2.39mm [.094]	O	∅2.25 MAX
WIRE STRIP LENGTH 4.67 - 5.05	TERM APPL SPEC NONE	FEED 13.70	APPLICATOR INSTRUCTIONS 408-8040	SET UP GAGE 458637-1	

LOC	REV	DESCRIPTION	DATE	BY	APPD
A	66				
B		ECR-07-025286	12NOV2007	RK	GB

- △ RECOMMENDED SPARE PARTS
- △ GREASE LIGHTLY
- △ GUARD MUST BE IN PLACE WHEN OPERATING APPLICATOR IN A BENCH MACHINE
- △ CUT TO LENGTH AT ASSEMBLY



QTY	REV	DESCRIPTION	DATE	BY	APPD		
2	2	2	2	-	4-354779-1	PIN, WIRE DISC, .3195	127
2	2	2	2	-	3-354779-4	PIN, WIRE DISC, .3160	126
-	-	REF	-	..	455749-1	GUARD WINDOW	116
-	-	REF	-	..	679532-1	INSERT, GUARD	115
1	1	1	1	-	690603-1	SPRING ASSIST AMP-O-MATOR APPLICATOR	112
1	1	1	1	-	1-21002-7	SCR, BTN SKT HD CAP 6-32 X .375	91
1	1	1	1	-	318563-1	GUARD, FRONT CHIP	89
1	1	1	1	-	4088040	SF APPL INST 408-8040	72
1	1	1	1	-	217238-1	GENERAL INSTRUCTION PKG	71
1	1	1	1	-	461264-1	PLATE, IDENTIFICATION	67
2	2	2	2	-	21017-2	SCREW, DRIVE	66
1	1	1	1	-	986950-1	WASHER, FLAT PRECISION	64
1	1	1	1	-	21009-2	SCR, SET, SELF LOCKING 1/4-20 X .250	63
1	1	1	1	-	23030-1	SCR, SKT HD CAP 6-32 X .25	62
1	1	1	1	-	22733-8	SCR, BHSC, SELF-LOCKING, 8-32 X .375	60
1	1	1	1	-	2-22603-0	SCR, HEX HD CAP 8-32 X .312	59
1	1	1	1	-	458537-2	PAWL, FEED	56
4	4	4	4	-	2-21002-2	SCR, BTN SKT HD CAP 8-32 X .500	54
2	2	2	2	-	3-21000-0	SCR, SKT HD CAP 8-32 X .875	53
1	1	1	1	-	21018-5	NUT, HEX, REG 6-32	52
1	1	1	1	-	811242-2	BUMPER, HOLD DOWN	51
1	1	1	1	-	690753-1	SPACER, TONKER	50
-	-	1	-	..	690602-6	CAM, PRE FEED, 1 5/8	49
-	-	1	-	..	690602-5	CAM, PRE FEED, 1 1/8	48
1	1	1	1	-	690501-4	CAM, POST FEED, 1 5/8	47
1	1	1	1	-	459456-1	APPL. BASIC SUB ASSY (SIDE WISE MOCA)	46
1	1	1	1	-	690191-1	PLUG, NYLON	45
1	1	1	1	-	455673-1	RAM, SIDE FEED	44
1	1	1	1	-	690125-1	SHIM SUB-ASSY	43
1	1	1	1	-	690124-1	WASHER, RAM (.115)	42
1	1	1	1	-	7-21002-9	SCR, BTN SKT HD CAP 5/16-24 X 1.00	41
1	1	1	1	-	23241-6	BALL, STEEL	40
1	1	1	1	-	690170-1	SPRING, COMPRESSION	39
1	1	1	1	-	690142-1	DISC, INSULATION	38
1	1	1	1	-	354777-1	WIRE DISC, ASSEMBLY	37
1	1	1	1	-	22480-5	SPRING, COMPRESSION	36
1	1	1	1	-	690212-1	POST, RAM	35
1	1	1	1	-	2-690786-3	TERMINAL SUPPORT	34
2	2	2	2	-	2-21002-4	SCR, BTN SKT HD CAP 8-32 X .750	33
1	1	1	1	-	21024-5	WASHER, SPRG LOCK, REG NO 10	32
1	1	1	1	-	3-21000-4	SCR, SKT HD CAP 10-32 X .375	31
1	1	1	1	-	1320908-3	SPACER, STRIP GUIDE	30
1	1	1	1	-	1633091-7	ASSEMBLY, STRIP GUIDE	29
1	1	1	1	-	1-455888-0	SPACER, CRIMPER	28
1	1	1	1	-	1320928-4	PLATE, STRIP GUIDE	24
1	1	1	1	-	690472-2	STRIPPER	22
1	1	1	1	-	2-21000-7	SCR, SKT HD CAP 8-32 X .500	21
4	4	4	4	-	21024-4	WASHER, SPRG LOCK, REG NO 8	20
-	-	1	-	..	691353-1	STRIPPER	19
1	1	1	1	-	679625-1	SHEAR HOLDER, FRONT (NO CUT)	17
1	1	1	1	-	3-22280-3	SPRING, COMPRESSION	12
1	1	1	1	-	690461-1	STOP, SHEAR	11
-	-	1	-	..	690459-1	SHEAR HOLDER, FRONT	10
1	1	1	1	-	1-462006-8	FLOATING SHEAR, FRONT	9
1	1	1	1	-	8-1633116-2	ANVIL, COMBINATION	8
1	1	1	1	-	6-240641-2	SPACER	7
1	1	1	1	-	2-455889-0	DEPRESSOR, SHEAR	5
1	1	1	1	-	3-238011-1	BLOCK, CRIMPER SPACER	4
1	1	1	1	-	8-1583690-0	CRIMPER, INSUL O	3
1	1	1	1	-	455888-1	SPACER, CRIMPER	2
1	1	1	1	-	6-1633305-0	CRIMPER, WIRE PREMIUM	1

QTY	REV	PART NO	DESCRIPTION	ITEM NO				
-77	-6	-3	-2	-1	U/M			

DIMENSIONS: INCHES		TOLERANCES UNLESS OTHERWISE SPECIFIED:	
0 PLC	±	1 PLC	±0.1
1 PLC	±0.01	2 PLC	±0.01
3 PLC	±0.001	4 PLC	±0.001
5 PLC	±0.001	6 PLC	±0.001
7 PLC	±0.001	8 PLC	±0.001
9 PLC	±0.001	10 PLC	±0.001
11 PLC	±0.001	12 PLC	±0.001
13 PLC	±0.001	14 PLC	±0.001
15 PLC	±0.001	16 PLC	±0.001
17 PLC	±0.001	18 PLC	±0.001
19 PLC	±0.001	20 PLC	±0.001
21 PLC	±0.001	22 PLC	±0.001
23 PLC	±0.001	24 PLC	±0.001
25 PLC	±0.001	26 PLC	±0.001
27 PLC	±0.001	28 PLC	±0.001
29 PLC	±0.001	30 PLC	±0.001
31 PLC	±0.001	32 PLC	±0.001
33 PLC	±0.001	34 PLC	±0.001
35 PLC	±0.001	36 PLC	±0.001
37 PLC	±0.001	38 PLC	±0.001
39 PLC	±0.001	40 PLC	±0.001
41 PLC	±0.001	42 PLC	±0.001
43 PLC	±0.001	44 PLC	±0.001
45 PLC	±0.001	46 PLC	±0.001
47 PLC	±0.001	48 PLC	±0.001
49 PLC	±0.001	50 PLC	±0.001
51 PLC	±0.001	52 PLC	±0.001
53 PLC	±0.001	54 PLC	±0.001
55 PLC	±0.001	56 PLC	±0.001
57 PLC	±0.001	58 PLC	±0.001
59 PLC	±0.001	60 PLC	±0.001
61 PLC	±0.001	62 PLC	±0.001
63 PLC	±0.001	64 PLC	±0.001
65 PLC	±0.001	66 PLC	±0.001
67 PLC	±0.001	68 PLC	±0.001
69 PLC	±0.001	70 PLC	±0.001
71 PLC	±0.001	72 PLC	±0.001
73 PLC	±0.001	74 PLC	±0.001
75 PLC	±0.001	76 PLC	±0.001
77 PLC	±0.001	78 PLC	±0.001
79 PLC	±0.001	80 PLC	±0.001
81 PLC	±0.001	82 PLC	±0.001
83 PLC	±0.001	84 PLC	±0.001
85 PLC	±0.001	86 PLC	±0.001
87 PLC	±0.001	88 PLC	±0.001
89 PLC	±0.001	90 PLC	±0.001
91 PLC	±0.001	92 PLC	±0.001
93 PLC	±0.001	94 PLC	±0.001
95 PLC	±0.001	96 PLC	±0.001
97 PLC	±0.001	98 PLC	±0.001
99 PLC	±0.001	100 PLC	±0.001