

4

3

2

1

THIS DRAWING IS UNPUBLISHED.

RELEASED FOR PUBLICATION

© COPYRIGHT

ALL RIGHTS RESERVED.

LOC	DIST	REVISIONS					
DS	—	P	LTR	DESCRIPTION	DATE	DWN	APVD
			A	RELEASED	11NOV11	YH	HG

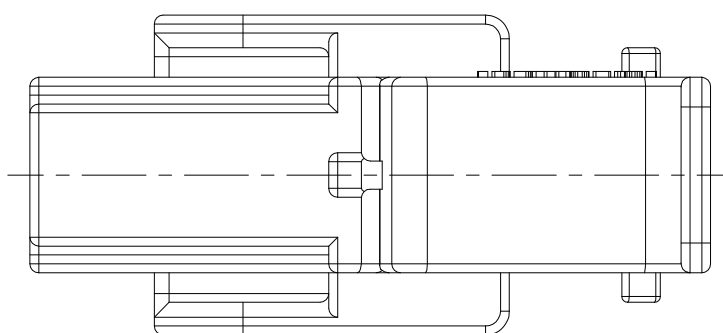
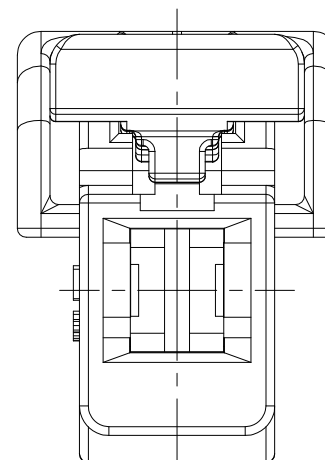
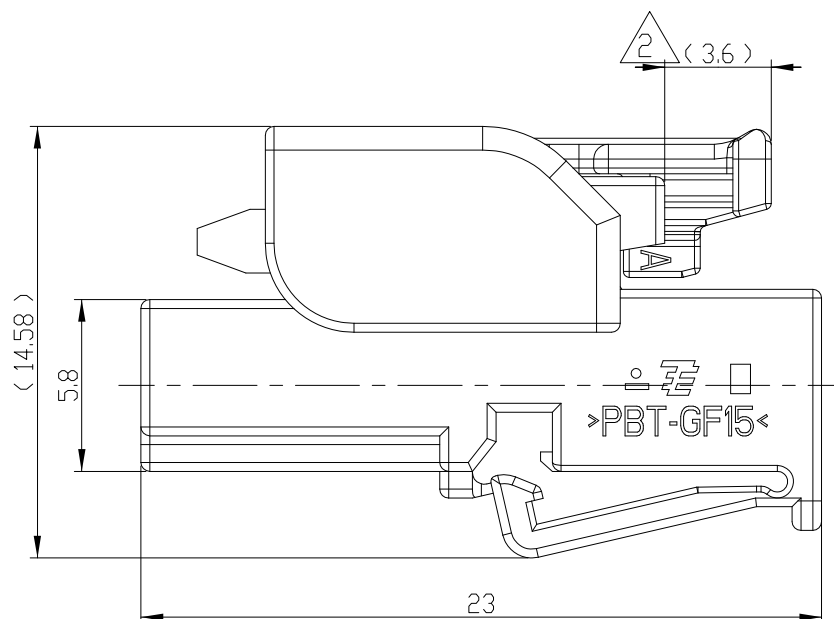
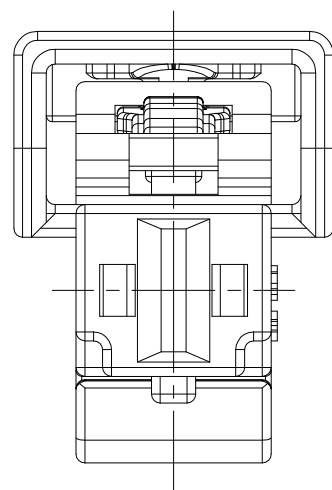
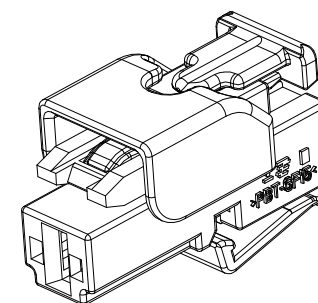
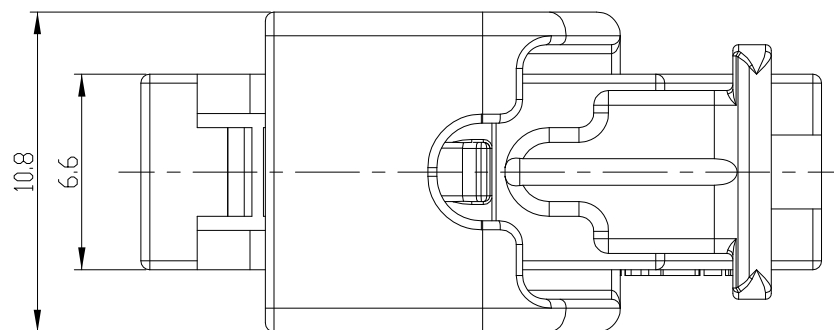


TABLE 1.

TYPE	PART NO.	WIRE SIZE
JPT	964284-1	0.5_1.0mm
MODIFY SPRING	965999-1	1.5_2.5mm

- NOTE,
 1. GENERAL TOLERANCE : ±0.3, ±3°
 2. CONDITION OF DELIVERY : CPA HSG IN OPEN POSITION.
 3. APPLIED RECEPTACLE CONTACT P/N:SEE TABLE1
 4. SUITABLE MATING PLUG P/N : 2109209

ASSY P/N	2109210-2
----------	-----------

NO	FINISH/COLOR	MATERIAL	DESCRIPTION	Q'TY
2	PURPLE	PBT-GF30	JPT 1P CPA HSG	1
1	BLACK	PBT-GF15	JPT 1P PLUG HSG	1

THIS DRAWING IS A CONTROLLED DOCUMENT.		DWN YH MA																
DIMENSIONS:		CHK KT LIM																
TOLERANCES UNLESS OTHERWISE SPECIFIED:		APVD HG CHD		NAME														
<table border="0"> <tr> <td>0 PLC</td> <td>±</td> <td rowspan="5">SEE NOTE</td> </tr> <tr> <td>1 PLC</td> <td>±</td> </tr> <tr> <td>2 PLC</td> <td>±</td> </tr> <tr> <td>3 PLC</td> <td>±</td> </tr> <tr> <td>4 PLC</td> <td>±</td> </tr> <tr> <td>ANGLES</td> <td>±</td> </tr> </table>		0 PLC	±	SEE NOTE	1 PLC	±	2 PLC	±	3 PLC	±	4 PLC	±	ANGLES	±	PRODUCT SPEC		JPT 1P PLUG ASS'Y	
0 PLC	±	SEE NOTE																
1 PLC	±																	
2 PLC	±																	
3 PLC	±																	
4 PLC	±																	
ANGLES	±																	
MATERIAL		APPLICATION SPEC		RESTRICTED TO														
SEE NOTE		WEIGHT		SIZE CAGE CODE DRAWING NO														
		CUSTOMER DRAWING		A3 00779 C-2109210														
		SCALE 4:1		SHEET 1 OF 1 REV A														