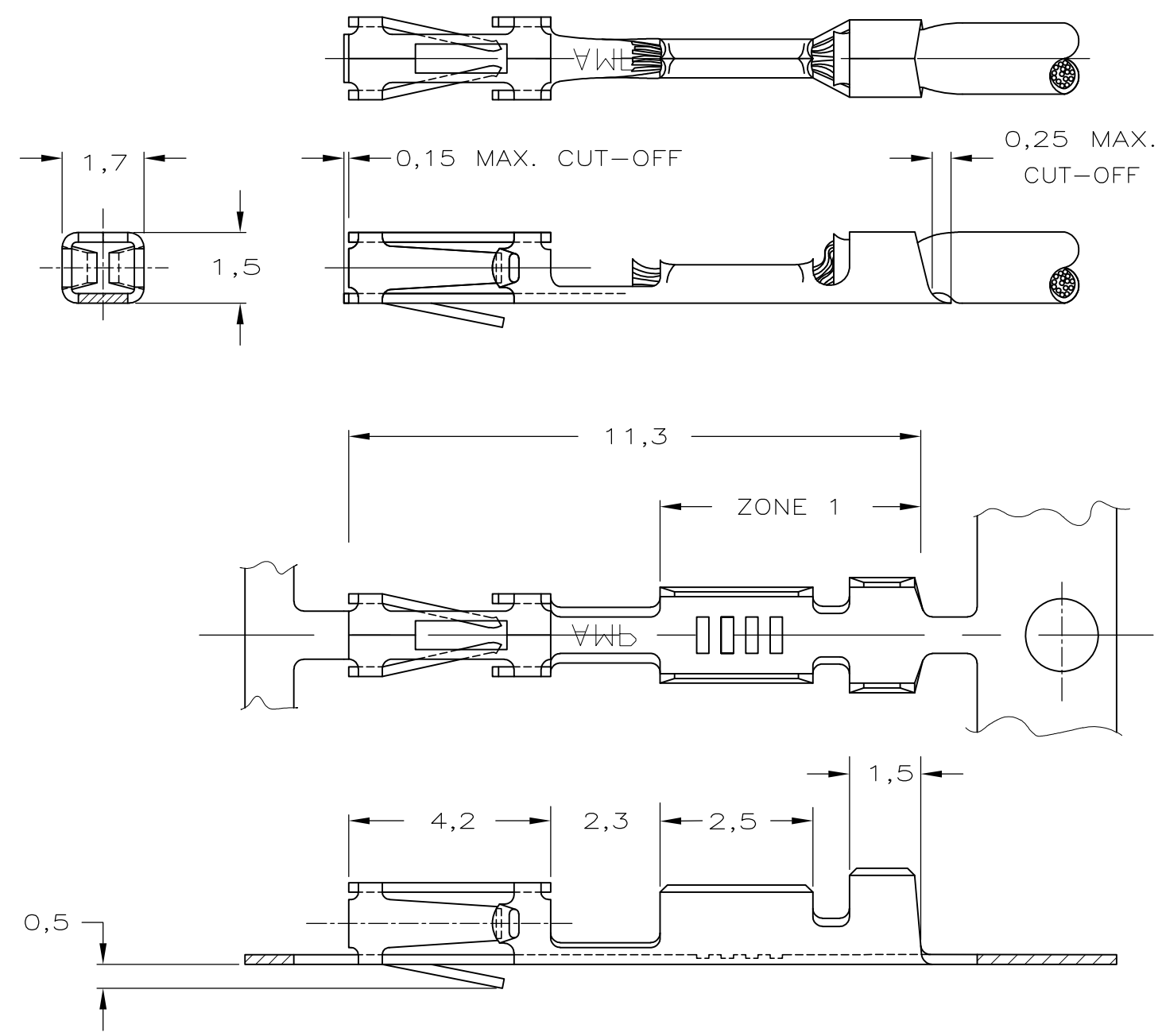


THIS DRAWING IS UNPUBLISHED. RELEASED FOR PUBLICATION  
 © COPYRIGHT - By - ALL RIGHTS RESERVED.

LOC	DIST	REVISIONS					
		P	LTR	DESCRIPTION	DATE	DWN	APVD
-	-		A1	REVISED PER ECO-11-005294	02APR11	RK	HMR


NOTES:

- 1 FOR MINI-APPLICATOR CRIMPING.
- 2 UNDERCOATING: 1,25µm Ni, SELECTIVE: 0,8µm Au, ZONE 1: 0,5µm MIN. GOLDFLASH.
- 3 UNDERCOATING: 1,25µm Ni, SELECTIVE: 0,8µm Au, REMAINDER: GOLDFLASH.
- 4 ZONE 1: BRIGHT TIN/LEAD PLATED.
- 5 PRE-TIN PLATED 2,0µm.
- 6 MATERIAL: PHOSPHORBRONZE



TIN	5	167024-3	167021-3
GOLD	3	167024-2	167021-2
GOLD	2	167024-1	167021-1
FINISH		LOOSE PIECE	PARTNUMBER

WIRE RANGE :  
 0,03-0,09 mm<sup>2</sup> 28-32 AWG  
 INSULATION RANGE :  
 0,5-1,02 DIA. .020-.040 DIA.

THIS DRAWING IS A CONTROLLED DOCUMENT.		DWN J.v.LIEMPT 03 DEC 98	 TE Connectivity	
DIMENSIONS: mm		CHK J.v.LIEMPT		
TOLERANCES UNLESS OTHERWISE SPECIFIED:		APVD E.LEIJTENS	AMPMODU MOD.4 RECEPTACLE, S.C.P. STRIP	
0 PLC ± - 1 PLC ± - 2 PLC ± - 3 PLC ± - 4 PLC ± - ANGLES ± -		PRODUCT SPEC -	SIZE A3	CAGE CODE 00779
MATERIAL -	FINISH -	APPLICATION SPEC -	DRAWING NO C-167021	RESTRICTED TO -
CUSTOMER DRAWING			SCALE -	SHEET 1 OF 1
			REV A1	