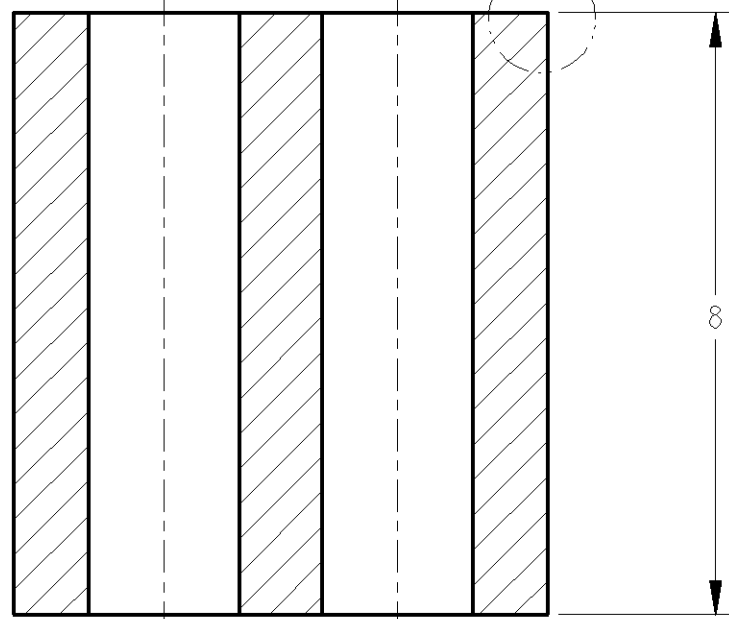
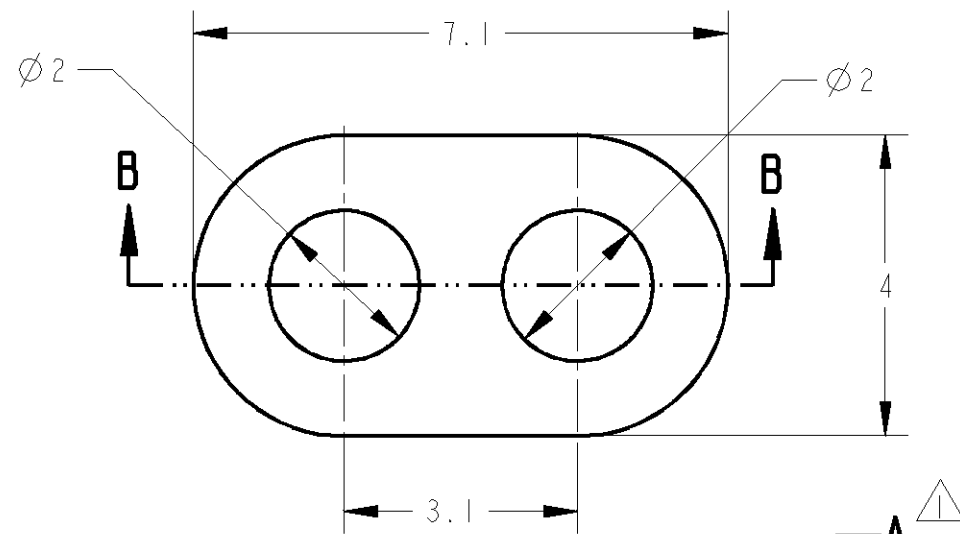
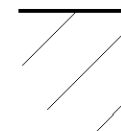


LOC	DIST	REVISIONS						
		P	LTR	DESCRIPTION	ECN	DATE	DWN	APVD
J	-		A	REDRAWN AND REVISED	FJ00-2060-01	12SEP2001	T.H	N.S
			AI	FJA0-0248-04		15APR2004	NS	NS

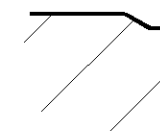


B-B

△THE FORM OF DETAIL A BECOMES FIG.1 OR FIG.2.
 2. MANUAL NO.: 411-5785
 △Aの形状はFIG.1もしくはFIG.2いずれかとなる。
 2. 取扱説明書: 411-5785



A
SCALE 20:1
FIG.1



A
SCALE 20:1
FIG.2

-2; AS SHOWN

<small>THIS DRAWING IS A CONTROLLED DOCUMENT FOR TYCO ELECTRONICS CORPORATION IT IS SUBJECT TO CHANGE AND THE CONTROLLING ENGINEERING ORGANIZATION SHOULD BE CONTACTED FOR THE LATEST REVISION.</small>		DWN T. HAYASHI 12SEP2001 CHK N. SAI 12SEP2001 APVD N. SAI 12SEP2001		tyco Tyco Electronics AMP K.K. Electronics Kawasaki, Japan	
DIMENSIONS: 単位: ㎜ mm		TOLERANCES UNLESS OTHERWISE SPECIFIED: ±0.2 0-PLC ±0.1 1-PLC ±0.1 2-PLC ±0.01 3-PLC ±0.001 4-PLC ±0.0001 ANGLES ±1.00°		PRODUCT SPEC 製品規格 108-5572	
		MATERIAL 材料 FERRITE		NAME 名称 SQUIB CONNECTOR FERRITE	
FINISH 仕上 BLACK		WEIGHT 0.8g		SIZE A3 CAGE CODE 00779 DRAWING NO. 353379	
CUSTOMER DRAWING				RESTRICTED TO -	
SCALE 8:1				SHEET 1 OF 1 REV AI	