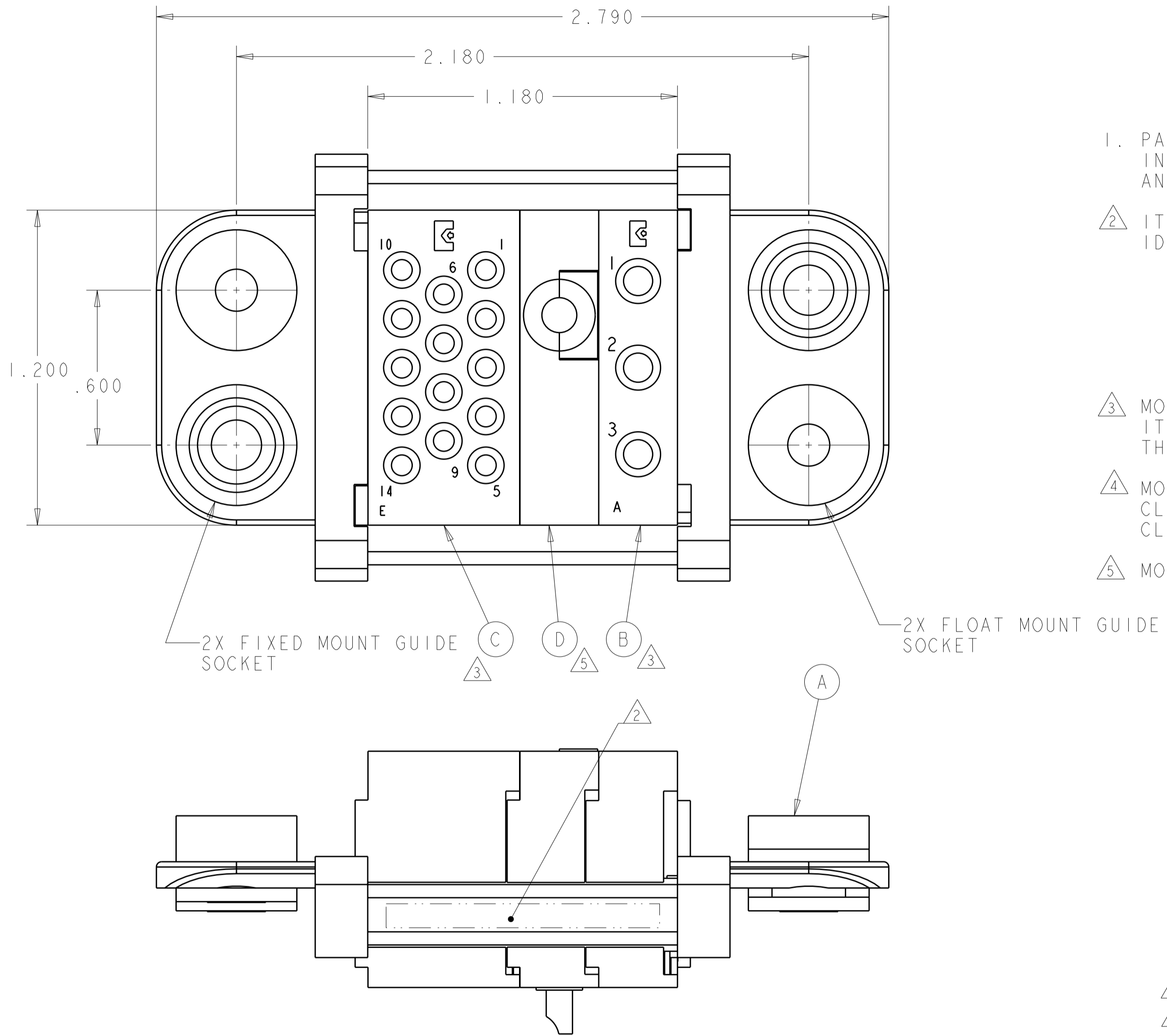


THIS DRAWING IS UNPUBLISHED. RELEASED FOR PUBLICATION 20
 © COPYRIGHT 20 BY TYCO ELECTRONICS CORPORATION. ALL RIGHTS RESERVED.

LOC		DIST		REVISIONS			
P	LTR	DESCRIPTION	DATE	DWN	APVD		
GP	00	A	RELEASED	27MAR2009	RG	DO	



1. PART NUMBER CHANGES AND/OR DESIGN CHANGES AFFECTING ITEM INTERCHANGEABILITY REQUIRE PRIOR TYCO ELECTRONICS APPROVAL AND AUTHORIZATION BY REVISION TO THIS DRAWING.

△ ITEMS PROVIDED TO THIS SPECIFICATION TO BE PERMANENTLY IDENTIFIED PER THE FOLLOWING IDENTIFIER:

TYCO ELECTRONICS P/N DATE CODE (e.g. 0212)

XXXXXXXX-X XXXX

YEAR 1 WEEK 1

△ MODULES NOTED ARE FOR CRIMP REMOVABLE STYLE CONTACTS. ITEMS E AND F WILL BE PACKAGED AND SHIPPED LOOSE WITH THE CONNECTOR ASSEMBLY.

△ MOUNTING FLANGE BUSHING ACCEPTS 6/32 SCREW (.156 DIA. CLEARANCE HOLE, FLOAT MOUNT) OR 8/32 SCREW (.173 DIA. CLEARANCE HOLE, FIXED MOUNT), USER SUPPLIED.

△ MODULE "K" SOCKET CONTACT INSTALLED.

14	6648319-1	SOCKET CONTACTS, CRIMP, SIZE No. 16	F
3	6648318-1	SOCKET CONTACTS, CRIMP, SIZE No. 12	E
△ 1	6648474-1	MODULE "K"	D
△ 1	1648470-1	MODULE "E"	C
△ 1	1648466-1	MODULE "A"	B
2	6648252-1	END CAP, FLOAT MOUNT	A
-1	PART NO.	DESCRIPTION	ITEM NO.

THIS DRAWING IS A CONTROLLED DOCUMENT FOR TYCO ELECTRONICS CORPORATION. IT IS SUBJECT TO CHANGE AND THE CONTROLLING ENGINEERING ORGANIZATION SHOULD BE CONTACTED FOR THE LATEST REVISION.		DWN R. GRZYBOWSKI 16SEP2008 CHK D. ORRIS 16SEP2008 APVD M. PERCHERKE 16SEP2008	Tyco Electronics Harrisburg, PA 17105-3608
DIMENSIONS: INCHES 	TOLERANCES UNLESS OTHERWISE SPECIFIED: 0 PLC ± 1 PLC ±.25 2 PLC ±.010 3 PLC ± 4 PLC ± ANGLES ± FINISH ±	PRODUCT SPEC - APPLICATION SPEC - WEIGHT -	NAME SOCKET CONNECTOR ASSEMBLY DOMINO W/ PANEL CUT-OUT SIZE A2 CAGE CODE 00779 DRAWING NO. C-6643970 RESTRICTED TO -
MATERIAL -		CUSTOMER DRAWING SCALE 3:1 SHEET 1 OF 2 REV A	

ELCON DOMINO

4

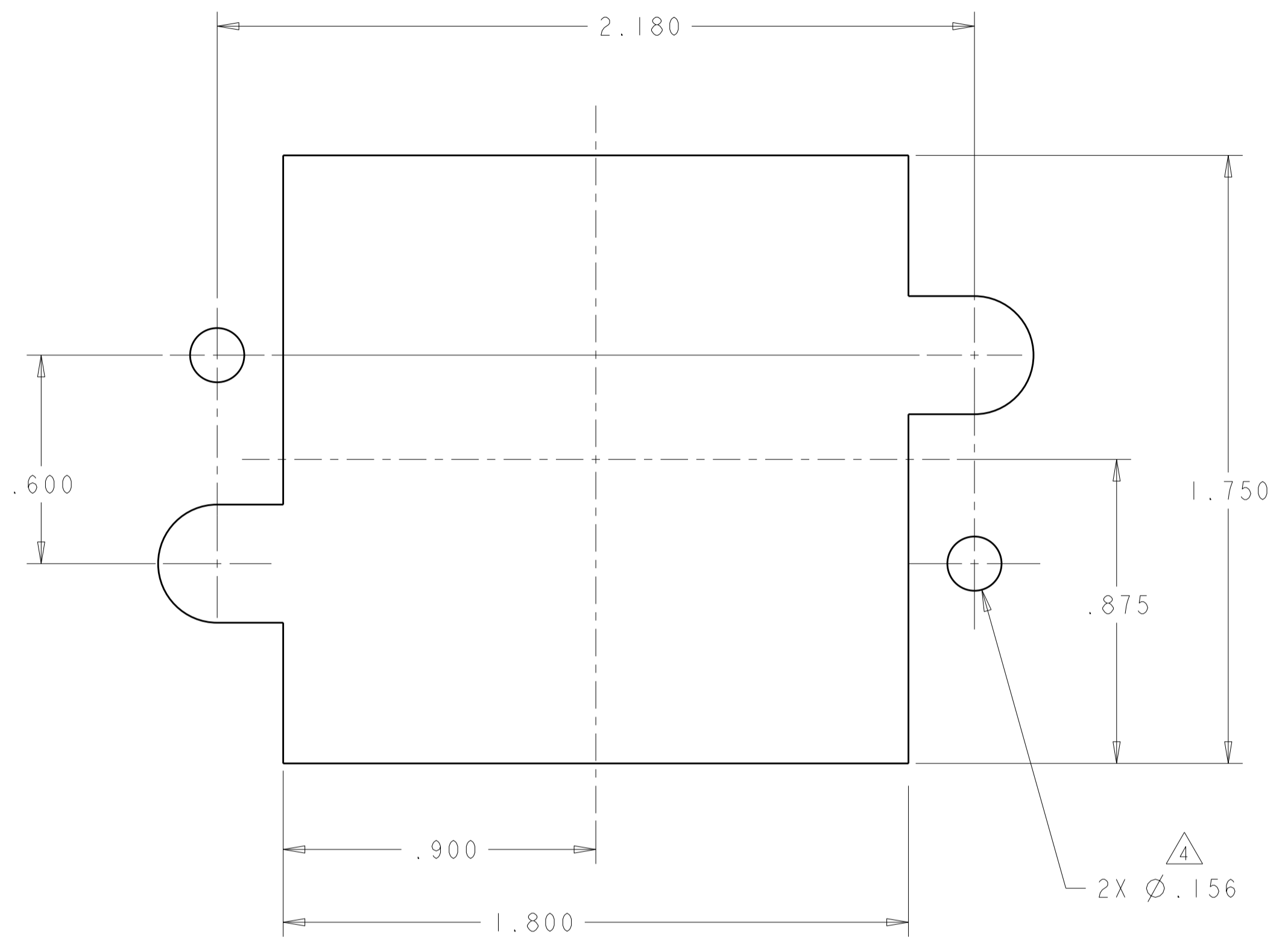
3

2

1

THIS DRAWING IS UNPUBLISHED. RELEASED FOR PUBLICATION 20
 © COPYRIGHT 20 BY TYCO ELECTRONICS CORPORATION. ALL RIGHTS RESERVED.

LOC	DIST	REVISIONS			
P	LTR	DESCRIPTION	DATE	DWN	APVD
GP	00	-	SEE SHEET 1	-	-



SOCKET PANEL MOUNT CUTOUT
 COMPONENT SIDE

<small>THIS DRAWING IS A CONTROLLED DOCUMENT FOR TYCO ELECTRONICS CORPORATION IT IS SUBJECT TO CHANGE AND THE CONTROLLING ENGINEERING ORGANIZATION SHOULD BE CONTACTED FOR THE LATEST REVISION.</small>		DWN R. GRZYBOWSKI 16SEP2008 CHK D. ORRIS 16SEP2008 APVD M. PERCHERKE 16SEP2008	Tyco Electronics Tyco Electronics Harrisburg, PA 17105-3608
DIMENSIONS: INCHES	TOLERANCES UNLESS OTHERWISE SPECIFIED: 0 PLC ±- 1 PLC ±- 2 PLC ±.25 3 PLC ±.010 4 PLC ±- ANGLES ±- FINISH ±-	PRODUCT SPEC - APPLICATION SPEC - WEIGHT -	NAME SOCKET CONNECTOR ASSEMBLY DOMINO W/ PANEL CUT-OUT
MATERIAL -	FINISH -	CUSTOMER DRAWING	SIZE A200779 CAGE CODE C-6643970 DRAWING NO 6643970 RESTRICTED TO -
		SCALE 3:1	SHEET 2 OF 2 REV A