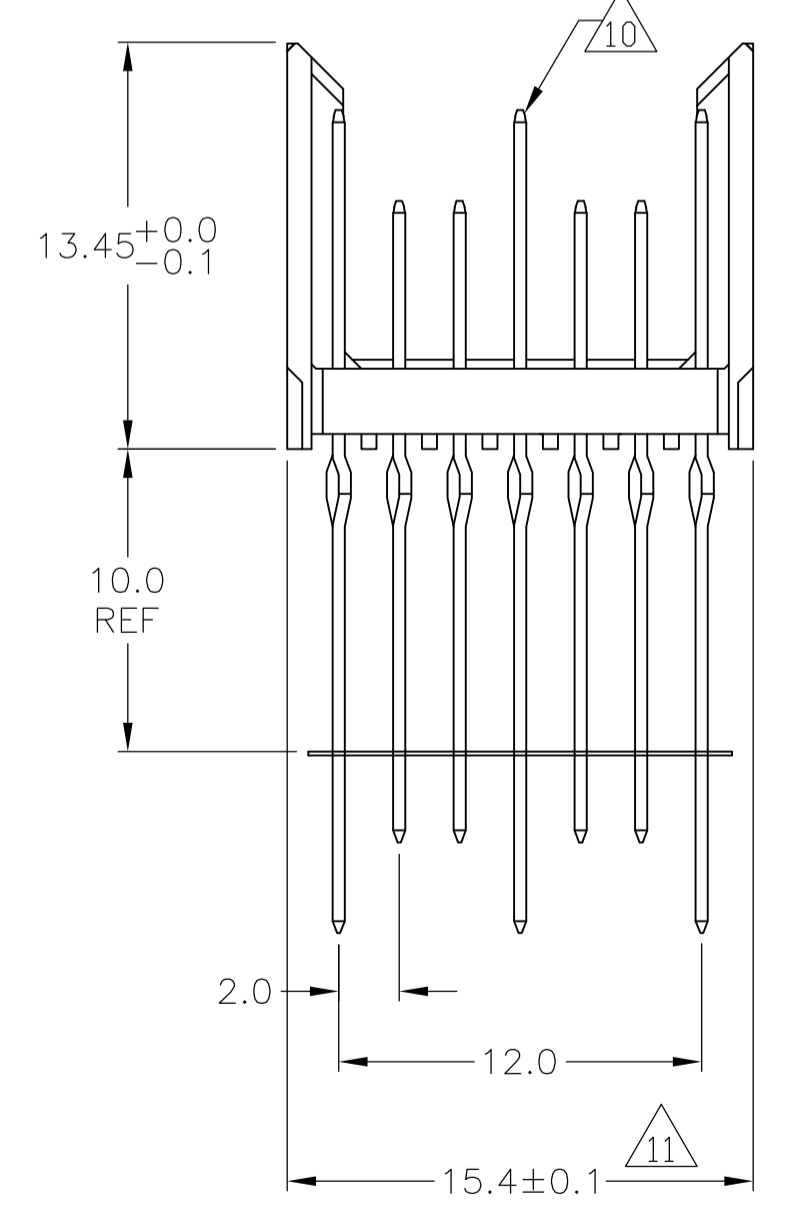
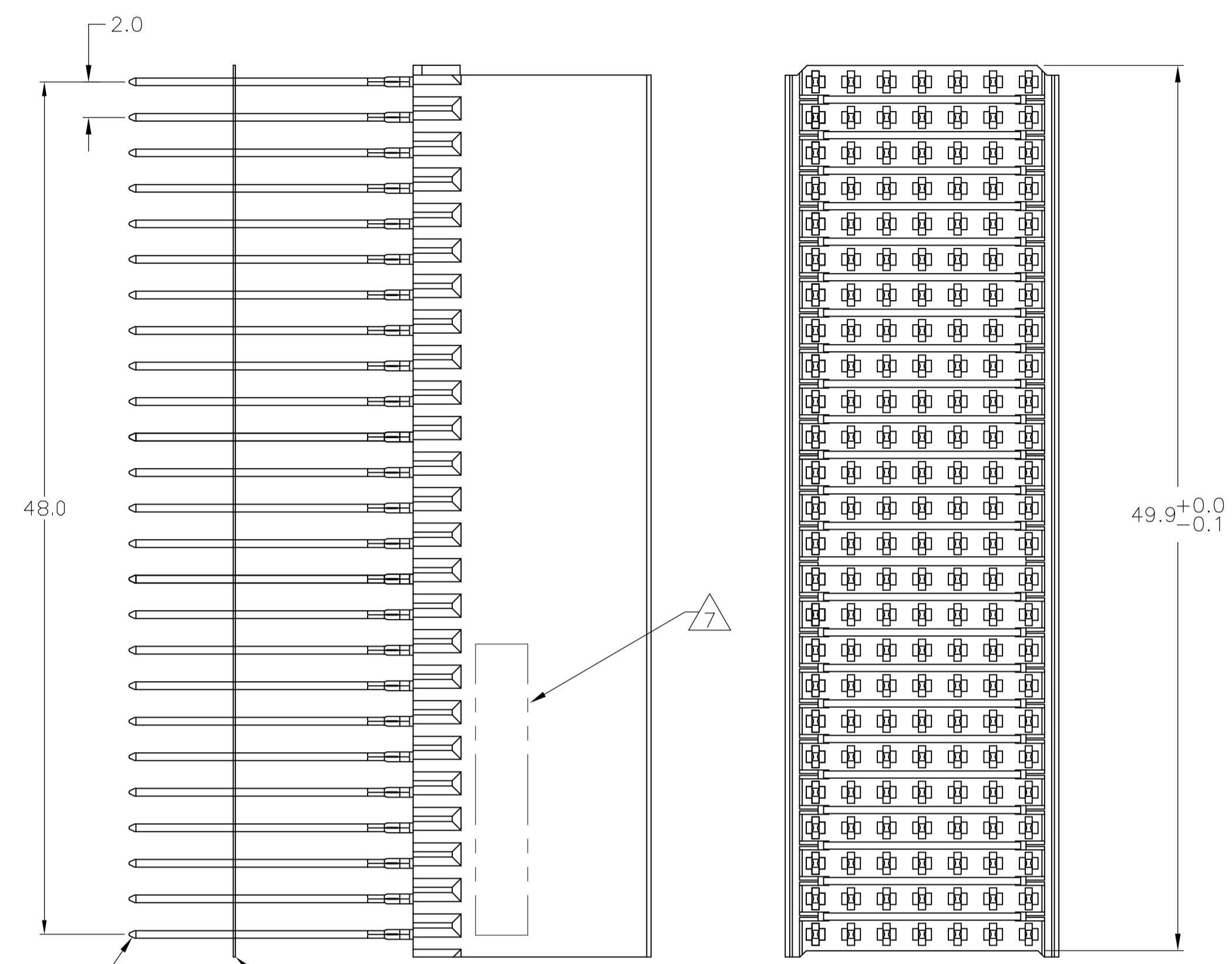


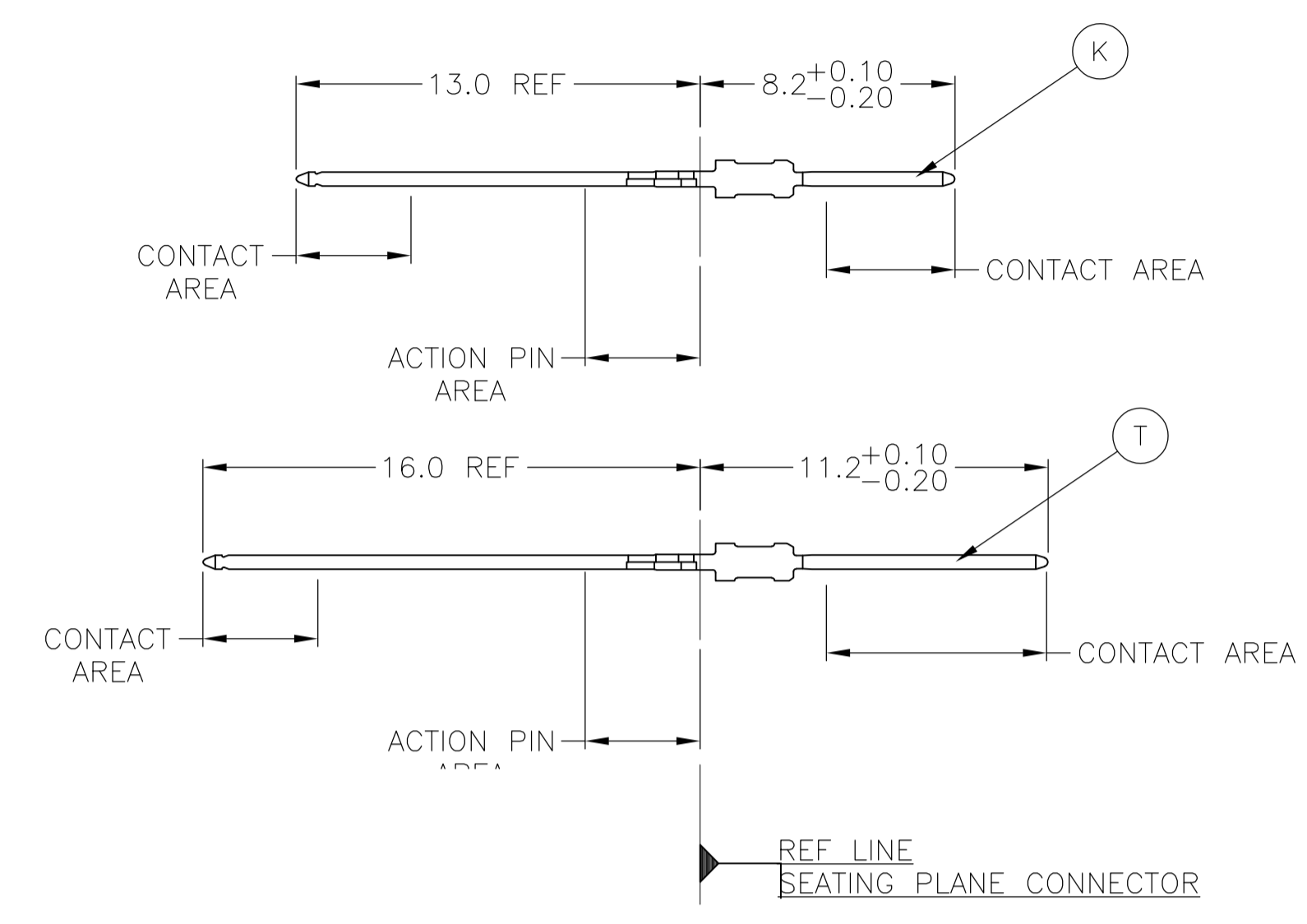
LOC		DIST		REVISIONS			
AD	00	REV	PER	EC	DATE	BY	APPROV
		0	REV	PER	EC	0512-0318-04	26AUG05 BC GS
		A	ECR	-10-019054			15SEP10 DP MQW

### CONNECTOR ASSEMBLY EXAMPLARY LOADED



### CONTACT DIMENSIONS

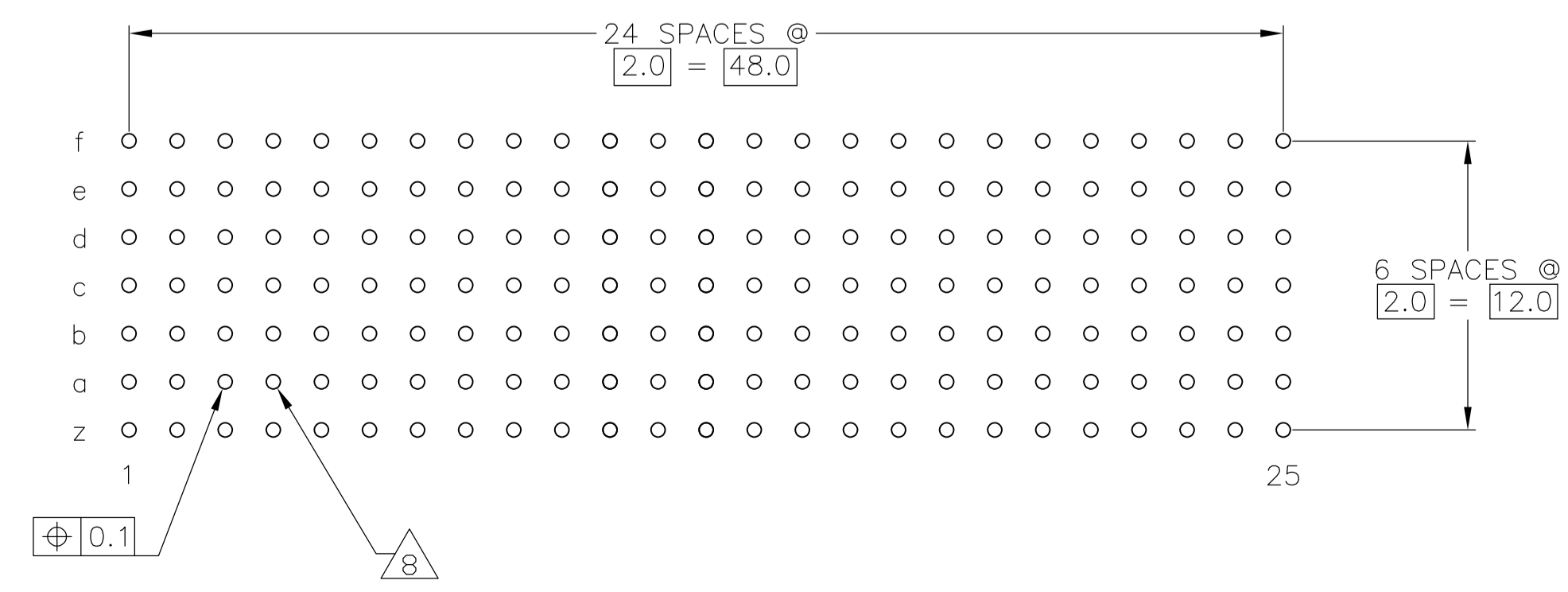
SCALE 5:1



### CONTACT LAYOUT

	z	a	b	c	d	e	f
1	T	K	K	T	K	K	T
2	T	K	K	T	K	K	T
3	T	K	K	T	K	K	T
4	T	K	K	T	K	K	T
5	T	K	K	T	K	K	T
6	T	K	K	T	K	K	T
7	T	K	K	T	K	K	T
8	T	K	K	T	K	K	T
9	T	K	K	T	K	K	T
10	T	K	K	T	K	K	T
11	T	K	K	T	K	K	T
12	T	K	K	T	K	K	T
13	T	K	K	T	K	K	T
14	T	K	K	T	K	K	T
15	T	K	K	T	K	K	T
16	T	K	K	T	K	K	T
17	T	K	K	T	K	K	T
18	T	K	K	T	K	K	T
19	T	K	K	T	K	K	T
20	T	K	K	T	K	K	T
21	T	K	K	T	K	K	T
22	T	K	K	T	K	K	T
23	T	K	K	T	K	K	T
24	T	K	K	T	K	K	T
25	T	K	K	T	K	K	T

### RECOMMENDED PCB-HOLE LAYOUT COMPONENT SIDE SHOWN



### PLATED THRU HOLES PARAMETERS

REFERENCE APPLICATION SPECIFICATION


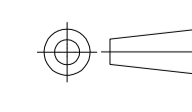
2 6 12	1-5352001-9
2 5 12	5352001-9
2 4 4	5352001-4
2 3 3	5352001-1
FINISH	PART NUMBER

THIS DRAWING IS A CONTROLLED DOCUMENT.

DIMENSIONS: mm	TOLERANCES UNLESS OTHERWISE SPECIFIED: ±0.2	DIN B CARBO 26AUG05	Tyco Electronics Corporation Harrisburg, Pa 17105-3608
0-PLC ±	1-PLC ±0.1	CHK G SKIPPER 26AUG05	NAME Tyco Electronics
2-PLC ±	3-PLC ±	APPRO G SKIPPER 26AUG05	PRODUCT SPEC 108-19082
4-PLC ±	ANGLES ±		APPLICATION SPEC 114-19029
MATERIAL 1	FINISH SEE TABLE	WEIGHT -	SIZE CAGE CODE DRAWING NO. A1 00779 C=5352001
			RESTRICTED TO -
			CUSTOMER DRAWING SCALE 4:1 SHEET 1 OF 2 REV A

LOC		DIST		REVISIONS				
P	LTR	DESCRIPTION	DATE	DN	APVD			
AD	00	SEE SHEET 1	-	-	-			

- 1 MATERIAL:  
CONTACT: PHOSPHOR BRONZE.  
HOUSING: GLASS-FILLED POLYESTER.
- 2 GENERAL PLATING SPECIFICATION: UNDERPLATING  
(ENTIRE CONTACT): 1.27µm MIN NICKEL AND ACTION  
PIN: 0.5µm MIN TIN.  
FOR PLATING OF MATING SURFACES SEE APPLICABLE  
SPECIFICATION REFERENCE FOR EACH DASH NUMBER.
- 3 CONFORMS TO ALL TESTING ACCORDING TO IEC 61076-4-101  
PERFORMANCE LEVEL 2.
- 4 CONFORMS TO ALL TESTING ACCORDING TO IEC 61076-4-101  
PERFORMANCE LEVEL 1.
- 5 CONNECTOR TESTED AND QUALIFIED AGAINST TELCORDIA GR-1217-CORE QUALITY LEVEL 3,  
CENTRAL OFFICE APPLICATIONS.
- 6 CONNECTOR TESTED AND QUALIFIED AGAINST TELCORDIA GR-1217-CORE QUALITY LEVEL 3,  
UNCONTROLLED ENVIROMENT APPLICATIONS.
- 7 CONNECTOR MARKED WITH PART NUMBER AND DATE CODE.  
ADDITIONAL CHARACTERS OR MARKINGS, AS WELL AS THE LOCATION OF THE MARKINGS,  
MAY BE ADDED FOR TRACEABILITY BASED UPON MANUFACTURERS DISCRETION.
- 8 PLATED-THROUGH HOLES AT 2x2mm SQUARE GRID  
PATTERN DEFINED BY CONTACT LAYOUT.
- 9 FOR ACTUAL PIN LOADING SEE "CONTACT LAYOUT".
- 10 FOR ACTUAL PIN DIMENSIONS SEE "CONTACT DIMENSIONS".
- 11 TO BE MEASURED AT BOTTOM OF SHROUD.
- 12 CONNECTOR LUBRICATED WITH BELCORE APPROVED LUBRICANT,  
TECHNICAL REFERENCE: TR-NWT-001217 ISSUE 1, SEP 1992.

THIS DRAWING IS A CONTROLLED DOCUMENT.		DIN E CARBO	26AUG05	 Tyco Electronics Corporation Harrisburg, Pa 17105-3608
		CIK G SKIPPER	26AUG05	
DIMENSIONS: mm		TOLERANCES UNLESS OTHERWISE SPECIFIED: 0-PLC ± 1-PLC ± 0.1 2-PLC ± 3-PLC ± 4-PLC ± ANGLES ±		APVD G SKIPPER 26AUG05 NAME MALE ASSEMBLY, Z-PACK 2mm HM, TYPE B
		PRODUCT SPEC 108-19082 APPLICATION SPEC 114-19029		SIZE A1 CAGE CODE 00779 DRAWING NO 5352001 RESTRICTED TO -
MATERIAL SEE SHEET 1		FINISH SEE SHEET 1		WEIGHT - CUSTOMER DRAWING SCALE 4:1 SHEET 2 OF 2 REV A