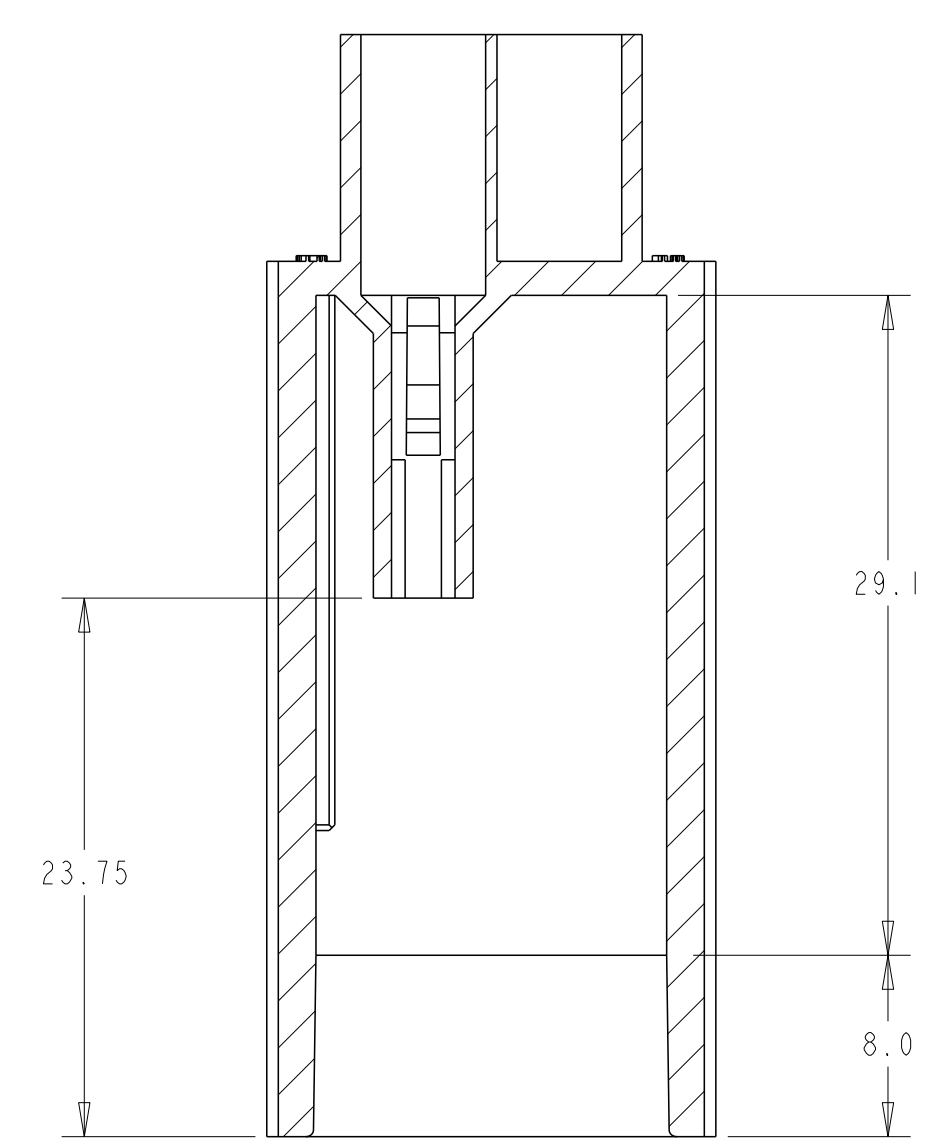
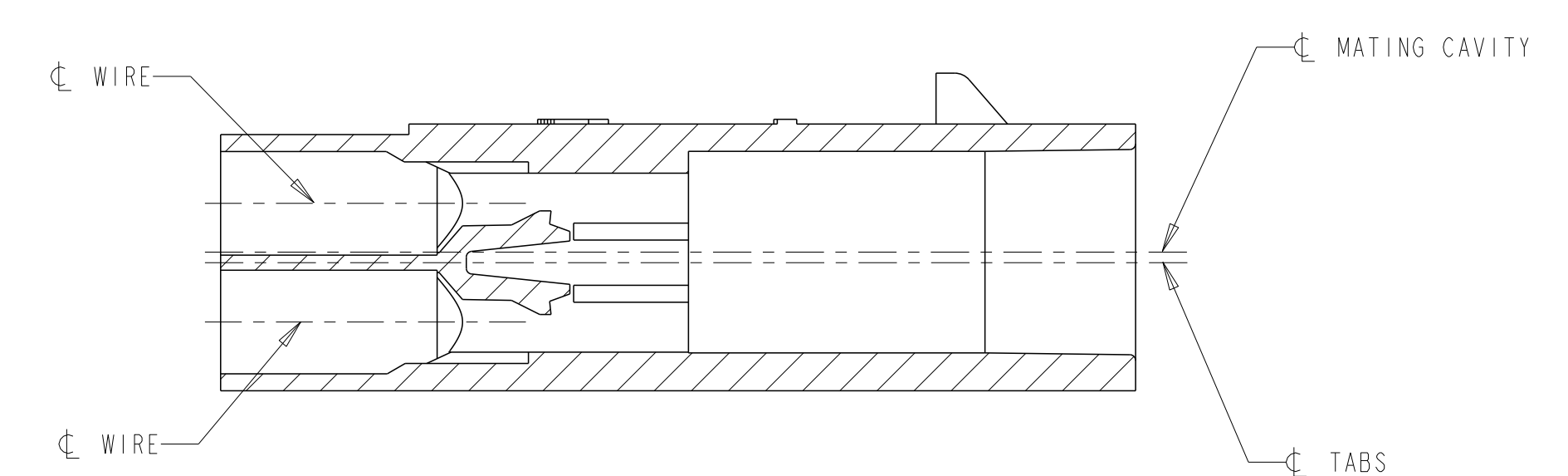


THIS DRAWING IS UNPUBLISHED. RELEASED FOR PUBLICATION 20
 © COPYRIGHT 20 BY - ALL RIGHTS RESERVED.

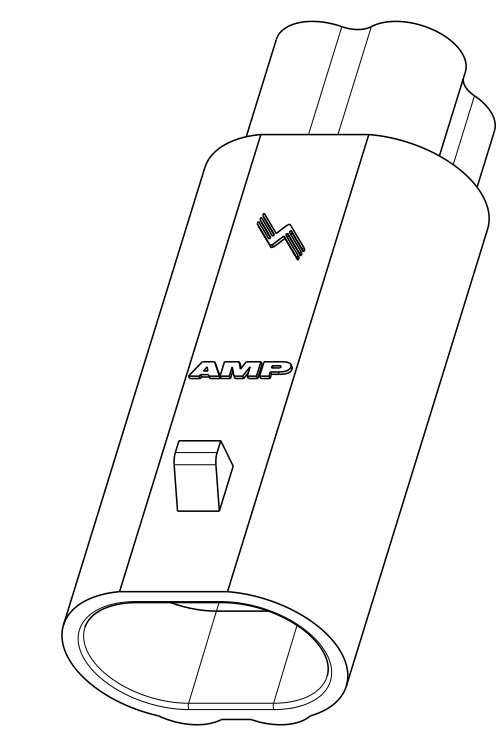
REVISIONS				
P	LTR	DESCRIPTION	DATE	APVD
B		REV PER EC 0K40-0196-00	18SEP2000	PC DC



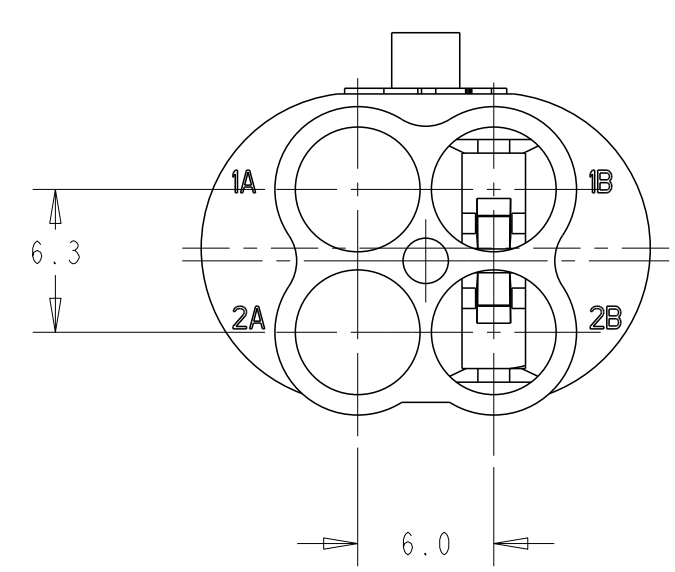
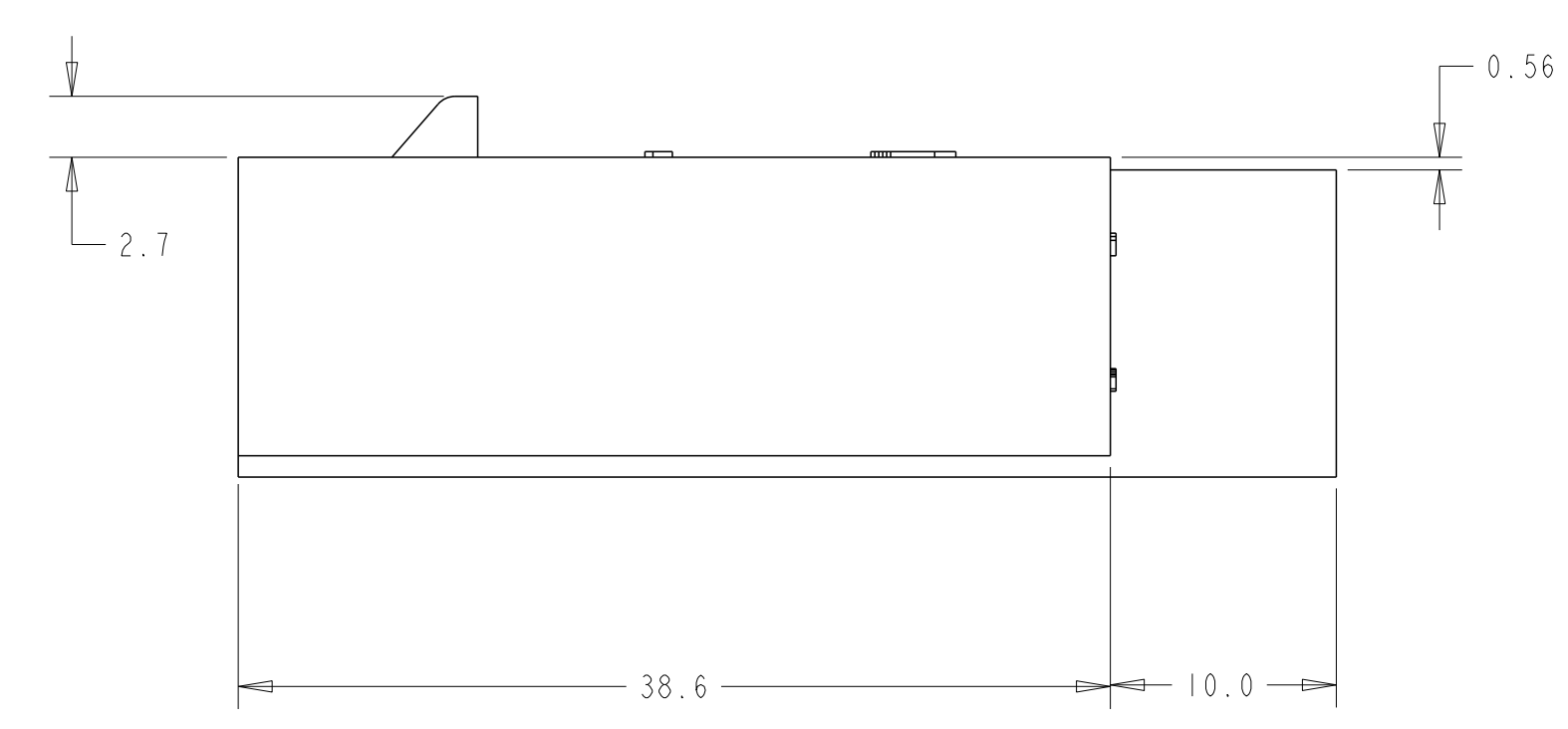
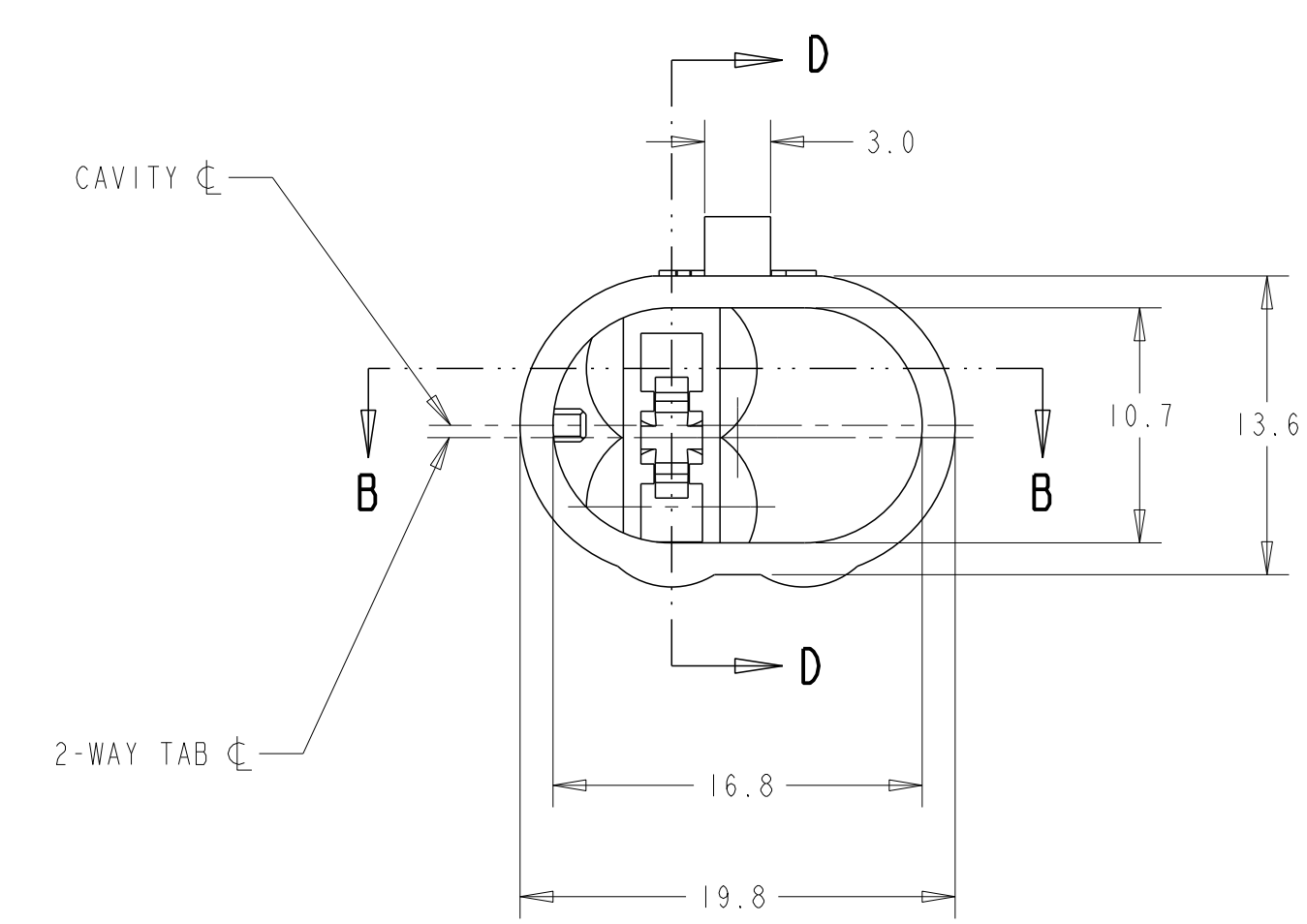
SECTION B-B



SECTION D-D



SCALE 2:1



THIS DRAWING IS A CONTROLLED DOCUMENT.		DWN R. GREINER 27MAY99	BLUE	NYLON	776309-1
DIMENSIONS: mm		CHK G. MARPOE 27MAY99	COLOR	MATERIAL	PART NUMBER
TOLERANCES UNLESS OTHERWISE SPECIFIED:		APVD G. MARPOE 27MAY99	TE Connectivity		
0 PLC ± 1 PLC ±0.5 2 PLC ±0.13 3 PLC ±0.013 4 PLC ±0.0001 ANGLES ± FINISH ±		NAME			
MATERIAL NYLON COLOR, BLACK		PRODUCT SPEC	HOUSING, 4 WAY CONNECTOR 2 CAVITIES BLOCKED		
		APPLICATION SPEC	SIZE	CAGE CODE	DRAWING NO
		WEIGHT	A2	00779	C-776309
		CUSTOMER DRAWING	SCALE 3:1	SHEET 1 OF 1	REV B