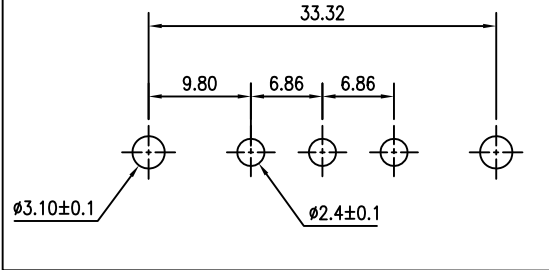


Part Number & Date code Marking

PC CARD DRILLING DIMENSIONS
THICKNESS 1.60mm



TECHNICAL SPECIFICATIONS

MATERIAL

SHELL : STEEL TIN PLATED.
INSULATORS : SELF EXTINGUISHING BLACK THERMOPLASTIC UL CLASS 94V0 IR or REFLOW COMPATIBLE

CONTACTS

PLATING

ACTIVE ZONE

: BRASS
: GOLD OVER NICKEL
500 MATING/UNMATING

TERMINATION ZONE

METAL BRACKET

HARPOON

CLINCH NUT

ELECTRICAL DATA

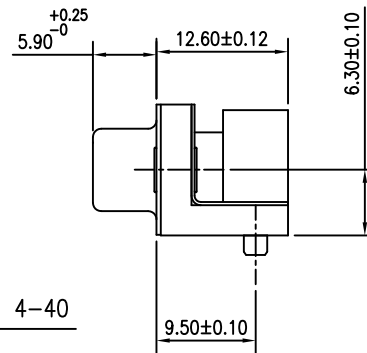
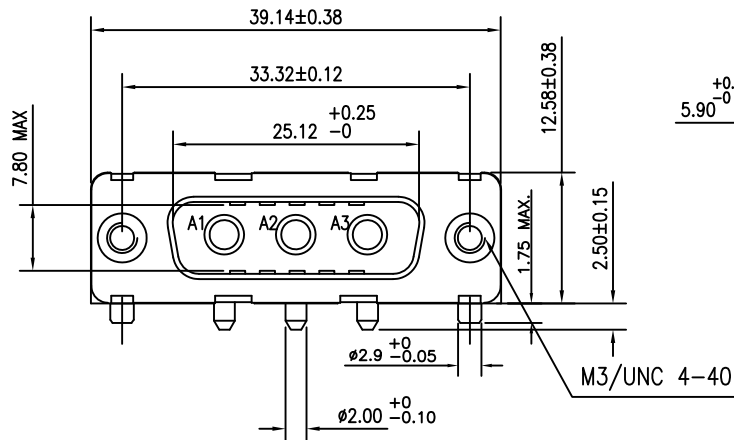
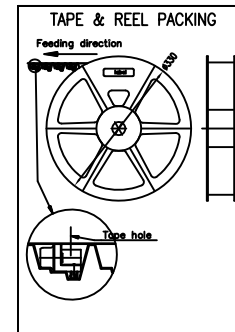
MAX.CURRENT RATING : 30A PER CONTACT
TEST VOLTAGE : 1000V
RATED VOLTAGE : 300V
CONTACT RESISTANCE : < 5mΩ
SHELL RESISTANCE : < 5mΩ
INSULATION RESISTANCE : > 5000MΩ

ENVIRONMENTAL CHARACTERISTICS

OPERATING TEMPERATURE RANGE : -55°C +125°C

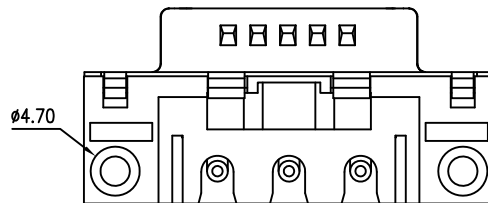
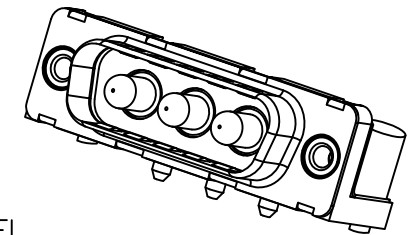
DIMENSIONS:

IN ACCORDANCE WITH MIL-C-24308



D3W3P36A6RL12LF

L - M3
X - UNC-4-40
LEAD FREE
PACKAGING
12- TAPE & REEL
09- TRAY PACKING



Tape&Reel Packaging Details

Tape according to EIA-481-B

Reel ø 330mm

Qty - 75nos/ reel

Empty Pockets

7 pockets min. at begining and 7 pockets min. at the end.

Final packaging

6 reels/ cartons

"This product meets European Union Directives and other country regulations as described in GS-47-0004"

The housing will withstand exposure to 260°C peak temperature for 30 seconds in a convection,infra-red or vapor reflow oven solder application.

Packaging as per GS-14-920

mat'l. code		surface ISO 1302	tolerance ISO 406 ISO 1101	projection	product family DELTA-D
ltr	ecn no	dr	date	tolerances unless otherwise specified	title
A	I07-0070	GVJ	2007/06/07	angles	DELTA-D POWER
B	ELX-I-21007	AB	2015/06/03	linear	MALE A/S PIP CONNECTOR
				0°±1°	scale
				dr	GEORGE.V.JOSEPH 2006/11/07
				enrg	ALIAS.BABU 2015/06/03
				chr	MITHUN.PAUL 2015/06/03
				appd	BIJU.K.PAUL 2015/06/03
sheet index	revision sheet	B	1	FCJ	
				dwg no	sheet 1 of 1
				C-DD-0123	
				type	Product Customer Drawing
				size	A3