

SIGN	DATE	DESCRIPTION	APPROVER
		<i>THIS IS CAD DRAWING, DO NOT REVISE MANUALLY!!!</i>	

Material

- Insulator: Glass Filled Polyester
- Flammability: UL94V-0
- Contacts: Phosphor Bronze
- Contact Plating: See options
- Shell: Brass
- Shell Plating: 80u" Min. Tin over 50u" Cu

Ratings

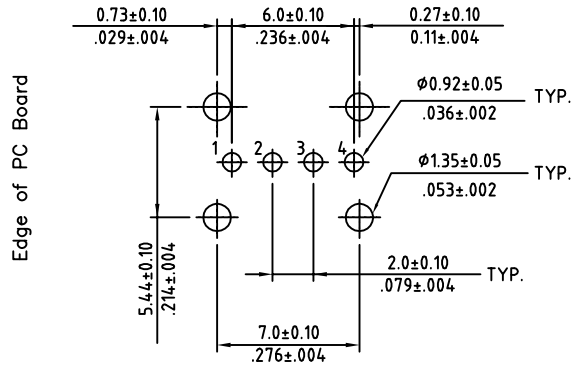
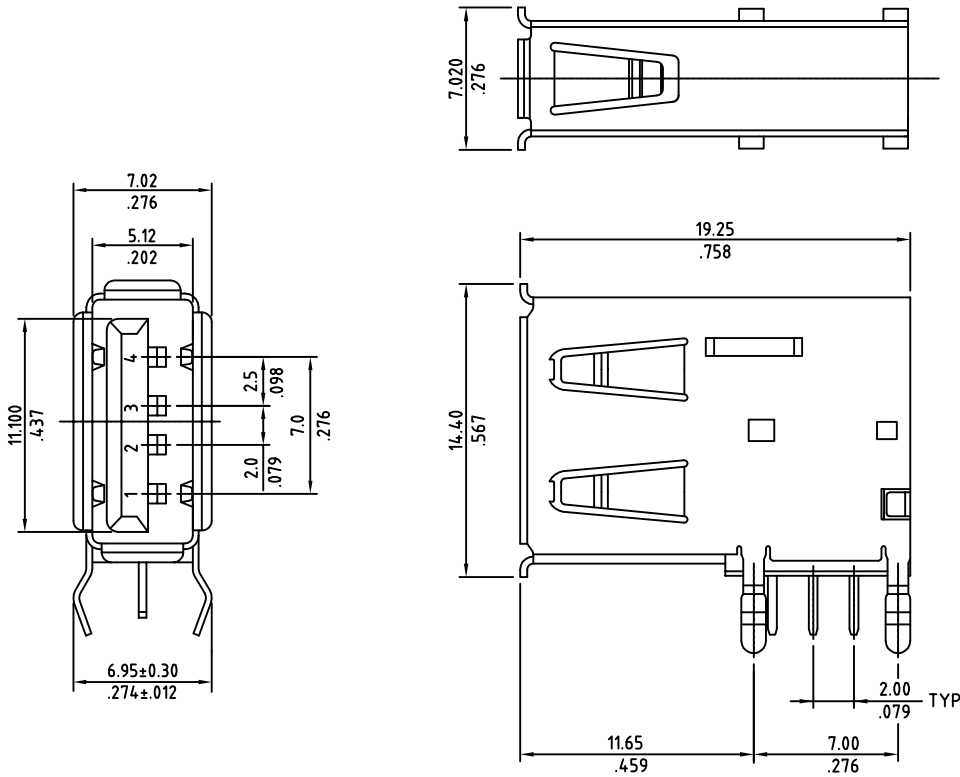
- Current: 1A
- Voltage: 30V AC(r.m.s.)
- Contact Resistance: <30mU
- Insulation Resistance: >1,000 MU
- Dielectric Strength: 750V AC
- Operating Temp: -55° - +85°
- Storage Temp: -40° - +70°

RoHS Compliant

PART NUMBER:

USB-A1SSXX

- COLOR: PLATING:
- B: Black 6: Selective Gold Flash (Std.)
 - W: White 8: Selective 30u" Gold



THESE DRAWINGS AND SPECIFICATIONS ARE THE PROPERTY OF ON-SHORE TECHNOLOGY, INC. AND SHALL NOT BE REPRODUCED, COPIED OR USED IN ANY MANNER WITHOUT THE PRIOR WRITTEN CONSENT OF ON-SHORE TECHNOLOGY, INC.



TITLE		USB - A type, Side type, thru hole	
PART NO.	USB-A1SSXX	DWG NO.	USB-A1SSXX.DWG
APPROVED	CHECKED	DESIGNED	DRAWN
	Marvin 2006.11.12	Marvin 2006.11.12	Marvin 2006.11.12
		4050	
		Tolerance	
		X.X ±1°	
		X.XX ±0.30/.012	
		X.XXX ±0.20/.008	
		X.XXX ±0.10/.004	
		UNIT: mm/inches	
		SCALE: NONE	
		REV.: A	
		SHEET: 01/01	