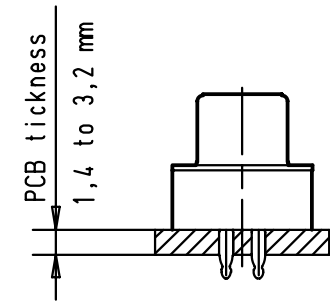
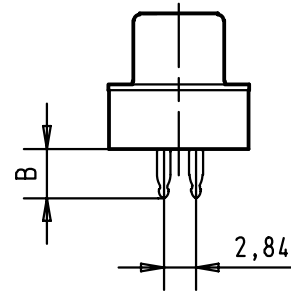
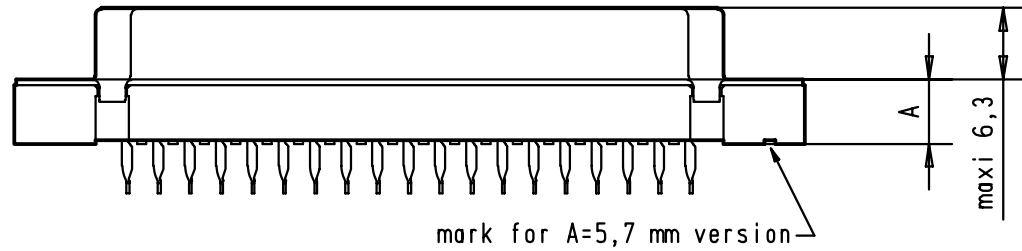
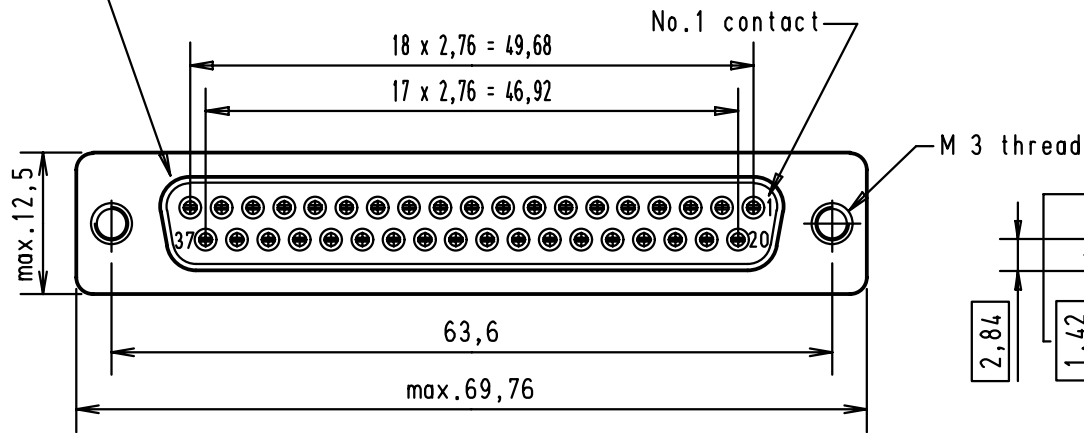


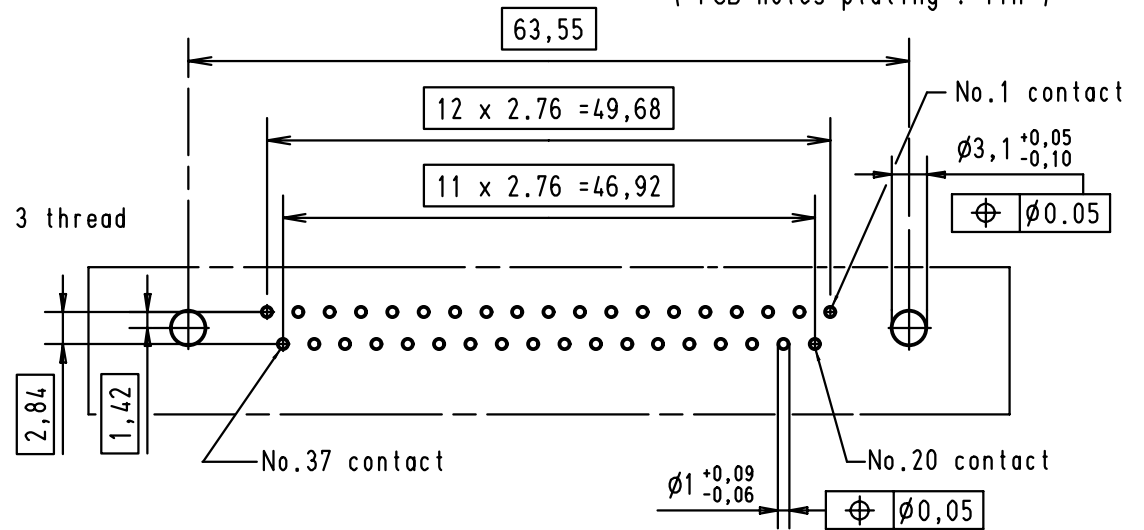
5 4 3 2 1



Mating face according to : MIL-C-24308 / DIN 41652 / CECC 75301-802



PCB layout hole component side (PCB holes plating : Tin)



A	09664147501	3	6	4.20							<p>All Dim. in mm Orig. Size DIN A 3</p>	D-Sub 37 poles straight female connector with press-in termination, version nut.	Maßstab/ Scale 2,5:1		
	09664146501	2	6	4.20						Detail.				14/02/00	jfb
	09664145501	0.76 µm Au	6	4.20						Insp.					
	09664147505	3	5.7	4.35						Stand.					
	09664146505	2	5.7	4.35		27980	05/03/01	jfb	HARTING EURL			TB 0966414x50x	Blatt/ Page 2/		
09664145505	0.76 µm Au	5.7	4.35		26574	14/02/00	jfb	F-95972 Paris							
	Part number	Performance level	A ±0.2	B ±0.2	Mod.	Dat.	Name			Sub.					