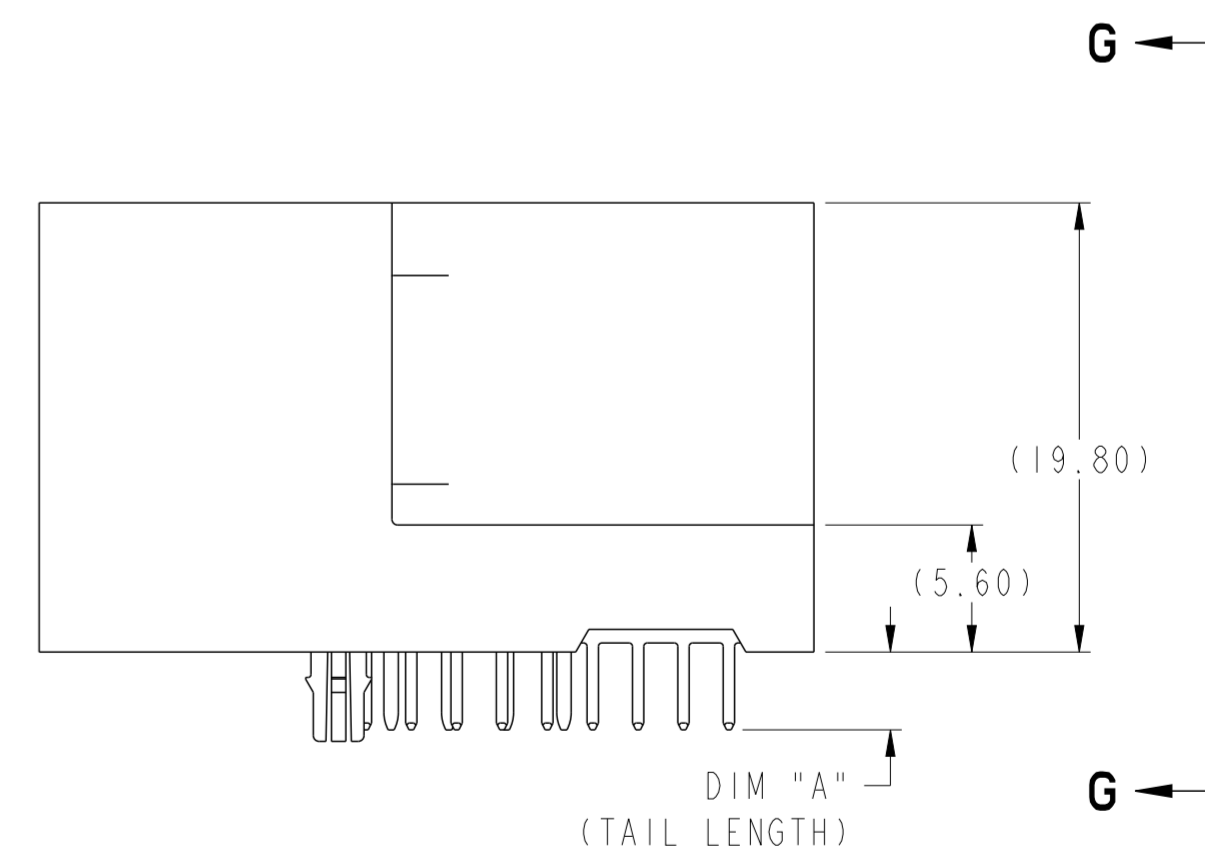
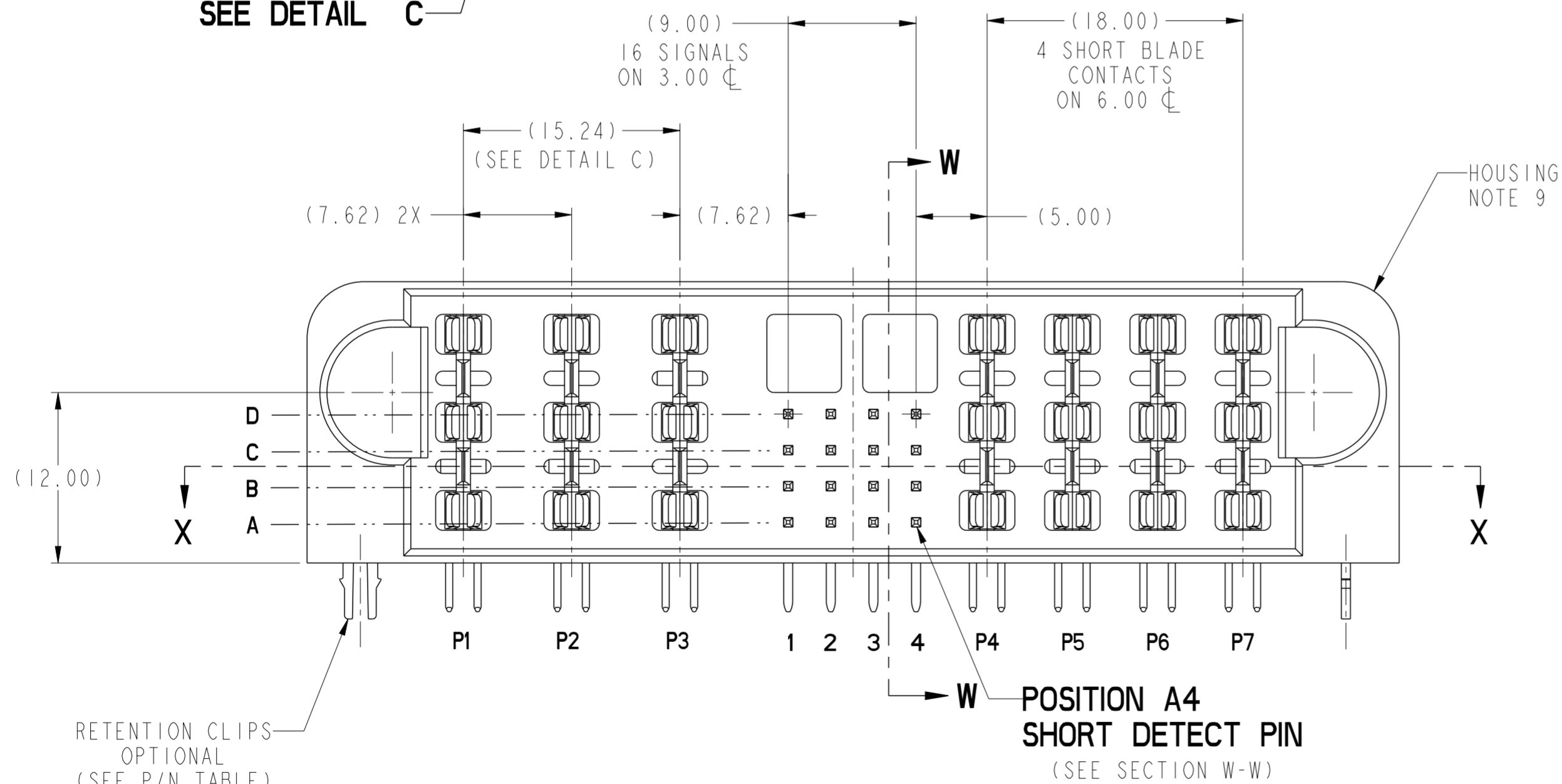


SECTION X-X

SEE DETAIL C



RETENTION CLIPS
OPTIONAL
(SEE P/N TABLE)

spec ref	-	dr	NotFound DuWa	2010/04/28	projection	MM	size	A2	scale	1:1
tolerance std	ASME Y14.5	eng	De-Ming Lu	2014/12/28			ecn no	ELX-DG-19849-1	rel level	Released
TOLERANCES UNLESS OTHERWISE SPECIFIED		chr	-	app						
surface	linear	0.X	± 0.5		R/A HDR ASSY 3AC-16S-4DC HCI POWER CONNECTOR	cat. no.	Product - Customer Draw	sheet 1 of 5	rev B	
		0.XX	± 0.25							
		0.XXX	± 0.10							
ASME Y14.5	angular	0°	$\pm 2^\circ$	www.fci.com	cat. no.	-	Product - Customer Draw	sheet 1 of 5	rev	



1 2 3 4 5 6 7 8

A

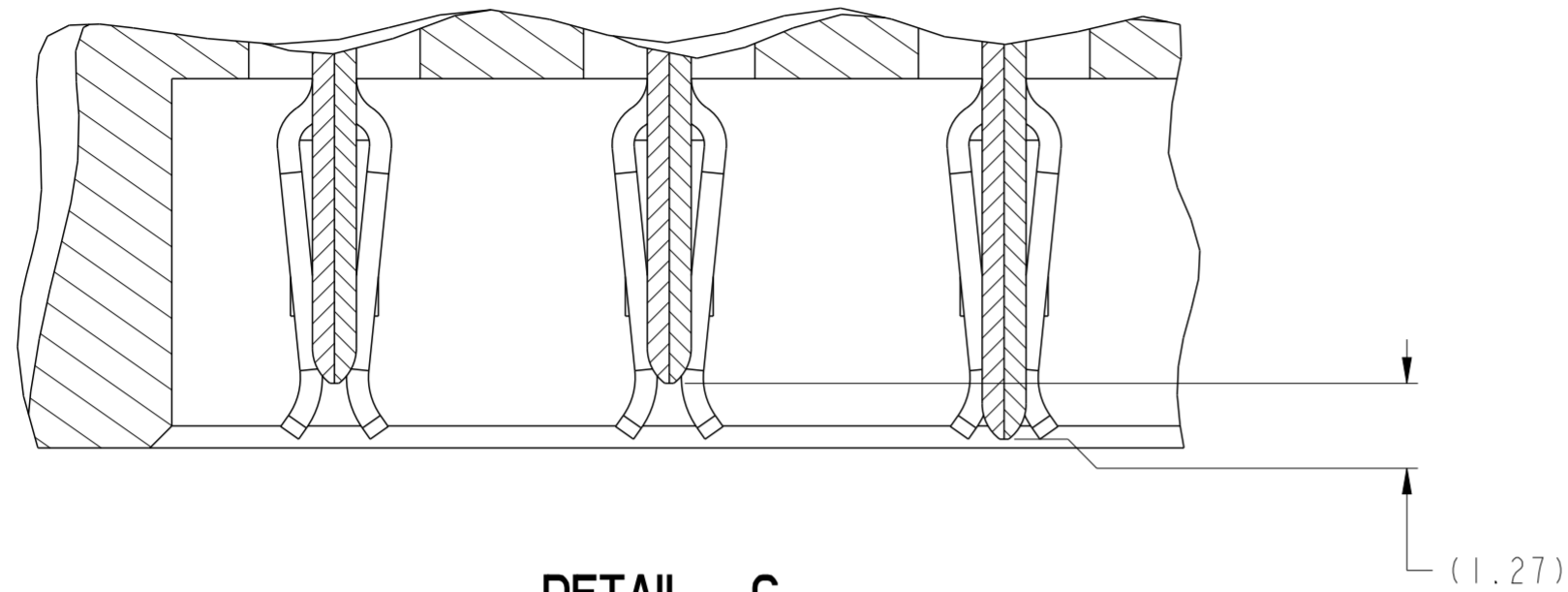
B

C

D

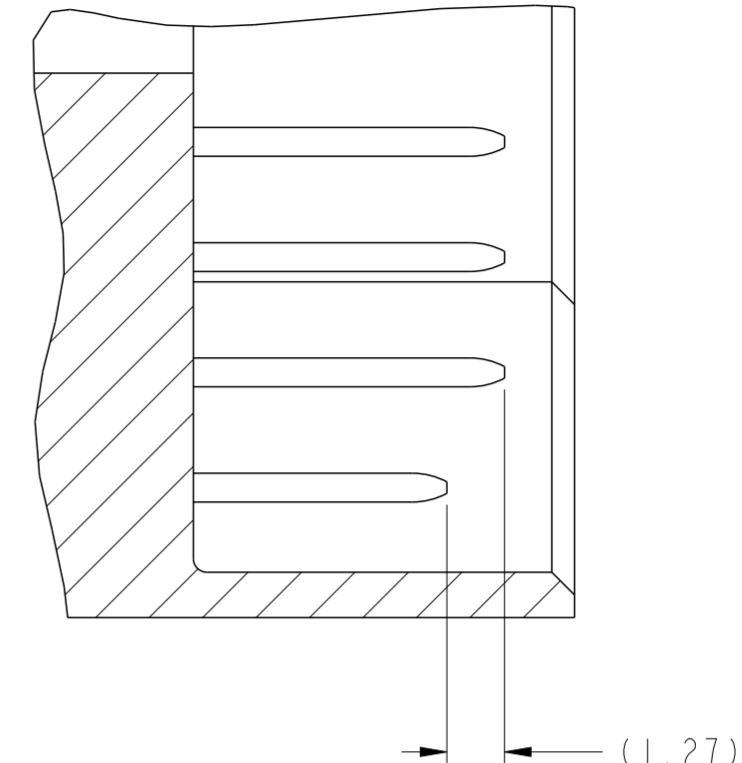
E

F



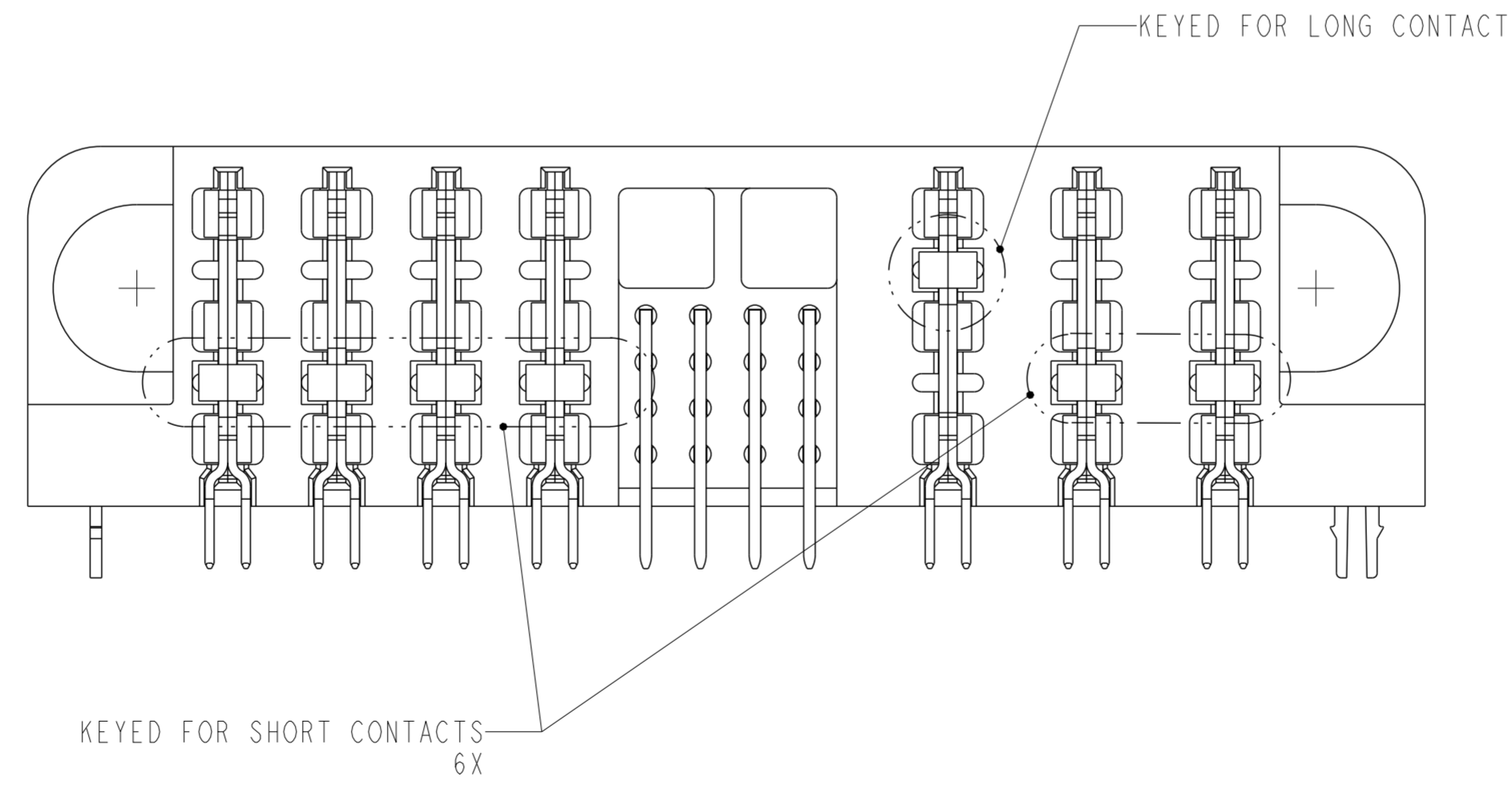
DETAIL C
SCALE 6:1
POWER MATING
SEQUENCE

(1.27)



SECTION W-W
SCALE 6:1
SIGNAL MATING
SEQUENCE

(1.27)



VIEW G-G

Copyright FCI.
FCI

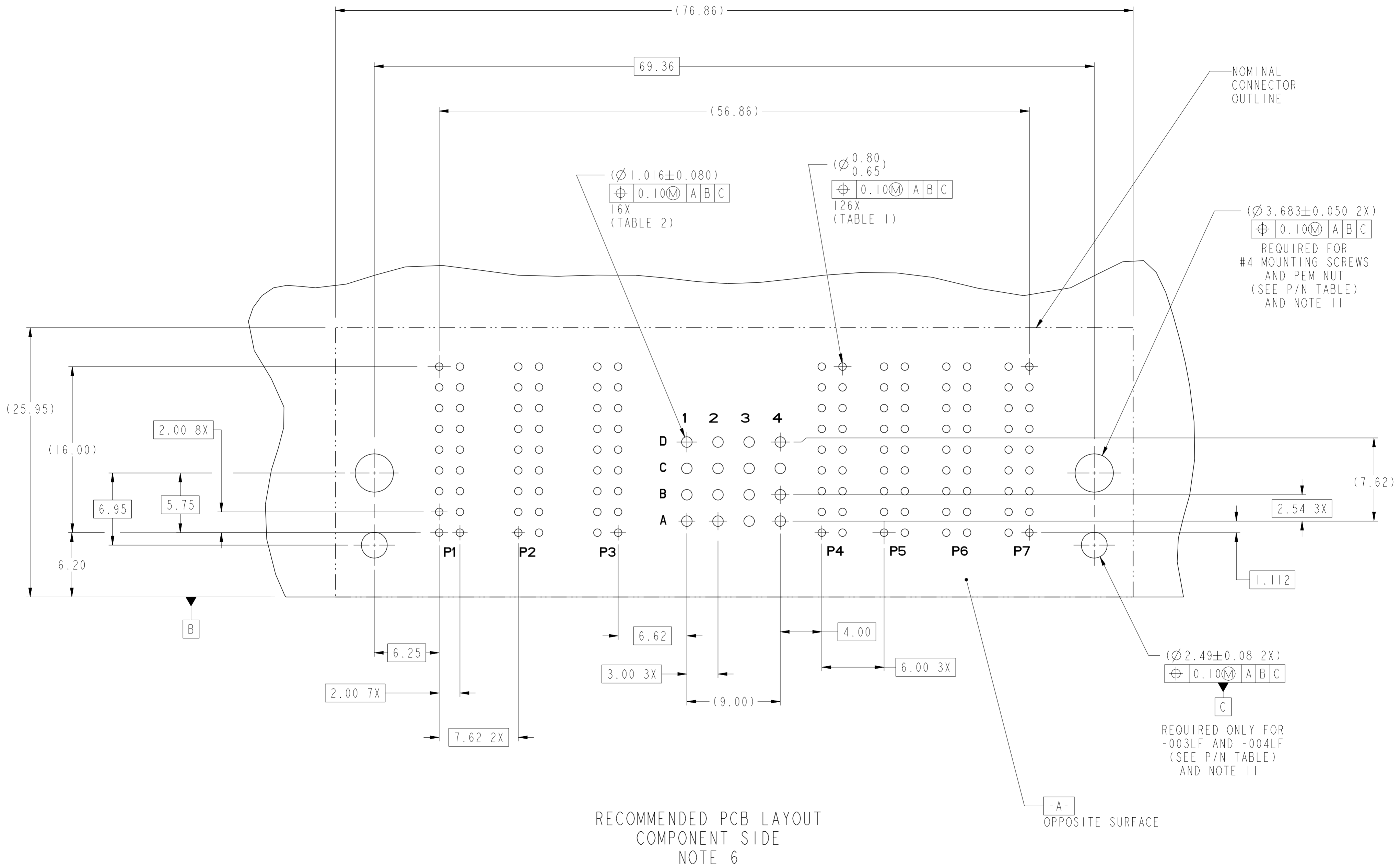
dr	NotFound DuWa	2010/04/28	projection	MM	size	A2	scale	1:1
eng	De-Ming Lu	2014/12/28			ecn no	ELX-DG-19849-1		
chr	-	-			rel level	Released		
appr	Pei-Ming Zheng	2014/12/29	product family	-	cat. no.	-		
		title	R/A HDR ASSY 3AC-16S-4DC		dwg no	10091377		rev
www.fci.com		HCI POWER CONNECTOR		Product - Customer Drw		sheet 2 of 5		B

2

3

4

5



dr	NotFound DuWa	2010/04/28	projection	MM	size	A2	scale	4:1
eng	De-Ming Lu	2014/12/28			ecn no	ELX-DG-19849-1	rel level	Released
chr	-	-						
appr	Pei-Ming Zheng	2014/12/29	product family	-	rel level	-	rel level	Released
			title R/A HDR ASSY 3AC-16S-4DC HCI POWER CONNECTOR		dwg no 10091377		rev B	
www.fci.com			cat. no.		Product - Customer Draw		sheet 3 of 5	

A

A

B

B

C

C

D

D

E

E

F

F

TOP LAYER DESCRIPTION

TABLE 1 (HCI POWER)
PLATED THROUGH-HOLE REQUIREMENTS

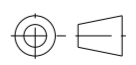
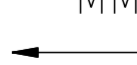

TOP LAYER DESCRIPTION	DRILLED HOLE DIAMETER	COPPER THICKNESS	TIN-LEAD THICKNESS	NICKEL THICKNESS	GOLD THICKNESS	TIN THICKNESS	SILVER THICKNESS	FINISHED HOLE DIAMETER
TIN-LEAD	0.81-0.86 (0.85 DRILL)	0.025 - 0.050	0.005 - 0.015	--	--	--	--	0.65 - 0.80
IMMERSION TIN	0.81-0.86 (0.85 DRILL)	0.025 - 0.050	--	--	--	0.9 - 1.5um	--	0.70 - 0.80
IMMERSION SILVER	0.81-0.86 (0.85 DRILL)	0.025 - 0.050	--	--	--	--	0.15 - 0.65um	0.70 - 0.80
COPPER (SEE NOTE 9)	0.81-0.86 (0.85 DRILL)	0.025 - 0.050	--	--	--	--	--	0.70 - 0.80
GOLD	0.81-0.86 (0.85 DRILL)	0.025 - 0.050	--	0.003 - 0.007	FLASH UP TO 0.0002	--	--	0.69 - 0.80

TOP LAYER DESCRIPTION

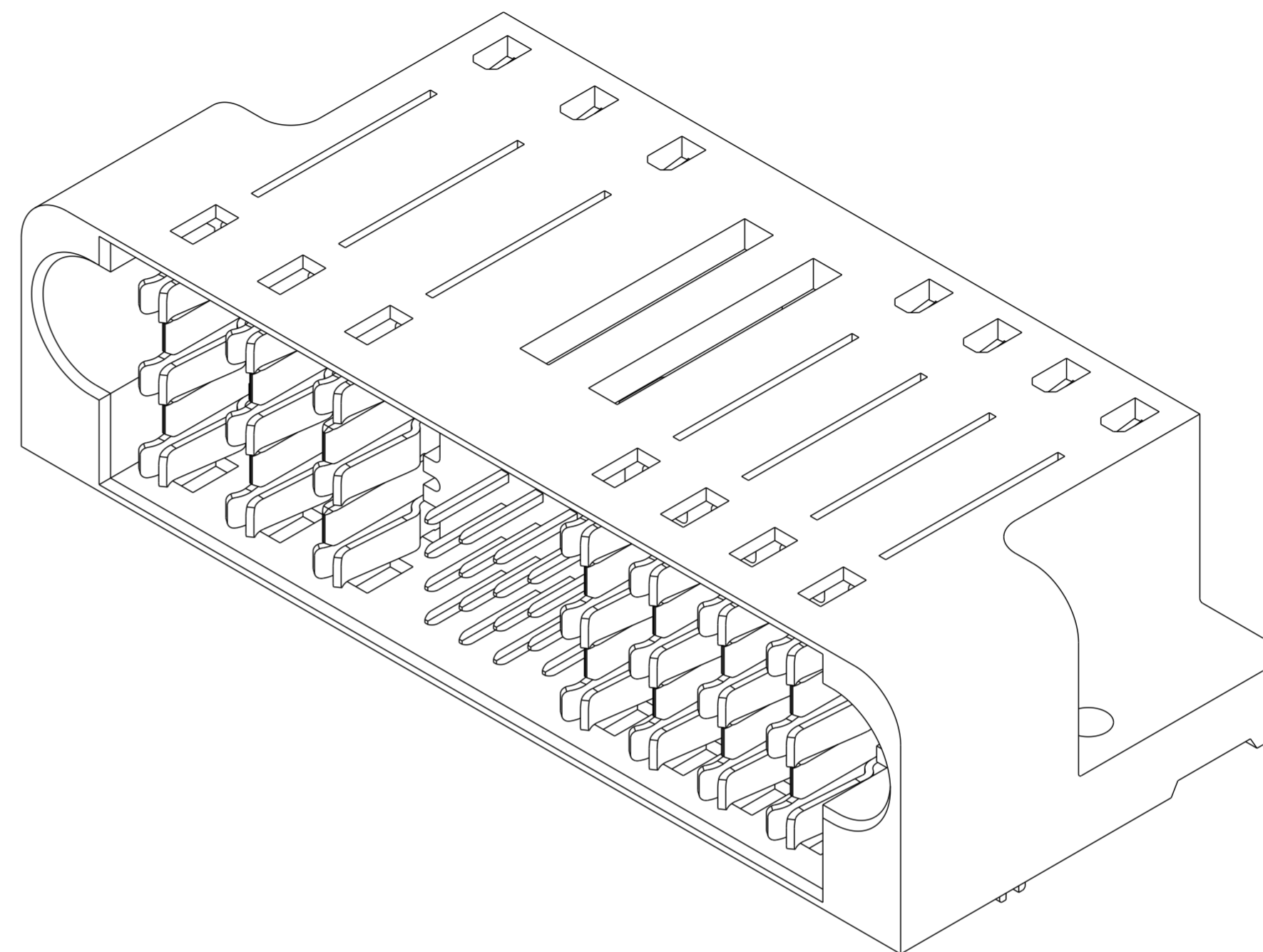
TABLE 2 (HPC SIGNALS)
PLATED THROUGH-HOLE REQUIREMENTS

TOP LAYER DESCRIPTION	DRILLED HOLE DIAMETER	COPPER THICKNESS	TIN-LEAD THICKNESS	NICKEL THICKNESS	GOLD THICKNESS	TIN THICKNESS	SILVER THICKNESS	FINISHED HOLE DIAMETER
TIN-LEAD	1.125-1.175 ($\varnothing .0453 \pm .0010$)	0.025-0.050	0.005-0.015	--	--	--	--	0.94 - 1.10 ($\varnothing .040 \pm .003$)
IMMERSION TIN			--	--	--	--	--	
IMMERSION SILVER			--	--	--	--	--	
COPPER (SEE NOTE 9)			--	--	--	--	--	
GOLD			--	--	--	--	--	

Copyright FCI. FCI

dr	NotFound DuWa	2010/04/28	projection		size	A2	scale	4:1
eng	De-Ming Lu	2014/12/28		MM	ecn no	ELX-DG-19849-1		
chr	-	-			rel level	Released		
appr	Pei-Ming Zheng	2014/12/29	product family	-				
		title		R/A HDR ASSY 3AC-16S-4DC		dwg no		10091377
www.fci.com		cat. no.		-		Product - Customer Drw		sheet 4 of 5
		STATUS:Released		Printed: Dec 29, 2014				

PART NUMBER	RETENTION CLIPS	#4 SCREW	DIM A (TAIL LENGTH)	TAIL TYPE
10091377-001LF	NO	YES	3.43	SOLDER TAIL
10091377-002LF	NO	YES	4.70	SOLDER TAIL
10091377-003LF	YES	NO	3.43	SOLDER TAIL
10091377-004LF	YES	NO	4.70	SOLDER TAIL



NOTES:

1. CONNECTOR MATERIALS:
HOUSING: HIGH TEMPERATURE THERMOPLASTIC, BLACK
UL 94V-0 COMPLIANT
CONTACTS: HIGH PERFORMANCE COPPER ALLOY
2. CONTACT FINISH (REF. GS-12-380 SECTION 5.2)
3. PRODUCT SPECIFICATION: GS-12-380.
4. APPLICATION SPECIFICATION: GS-20-070.
5. PRODUCT MARKING (PRODUCT NUMBER & DATE CODE) ON HOUSING IN AREA SHOWN.
6. MINIMUM NOMINAL PCB THICKNESS: 1.6mm
7. PACKAGING MEETS FCI SPECIFICATION GS-14-1073.
8. HOUSING COMPONENT WILL WITHSTAND EXPOSURE TO 260°C PEAK TEMPERATURE FOR 60 SECONDS IN A CONVECTION, INFRA-RED, OR VAPOR PHASE REFLOW OVEN.
9. COPPER PLATING THICKNESS IN CENTER OF VIA-HOLE CAN BE NO MORE THAN 0.003 LESS THAN OTHER AREAS.
10. ALL HOLE SIZES ARE FINISHED HOLE SIZES.
11. MOUNTING HOLES ARE UNPLATED.

dr	NotFound DuWa	2010/04/28	projection	MM	size	A2	scale	1:1
eng	De-Ming Lu	2014/12/28			ecn no	ELX-DG-19849-1		
chr	-	-			rel level	Released		
appr	Pei-Ming Zheng	2014/12/29	product family	-	cat. no.	10091377		
		title R/A HDR ASSY 3AC-16S-4DC HCI POWER CONNECTOR		dwg no 10091377	rev B		www.fci.com	
Product - Customer Drw			sheet 5 of 5					