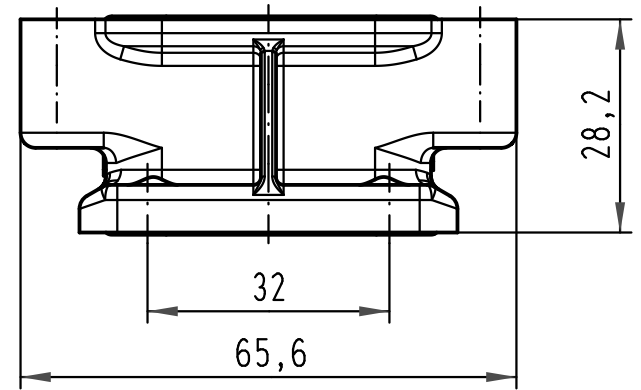
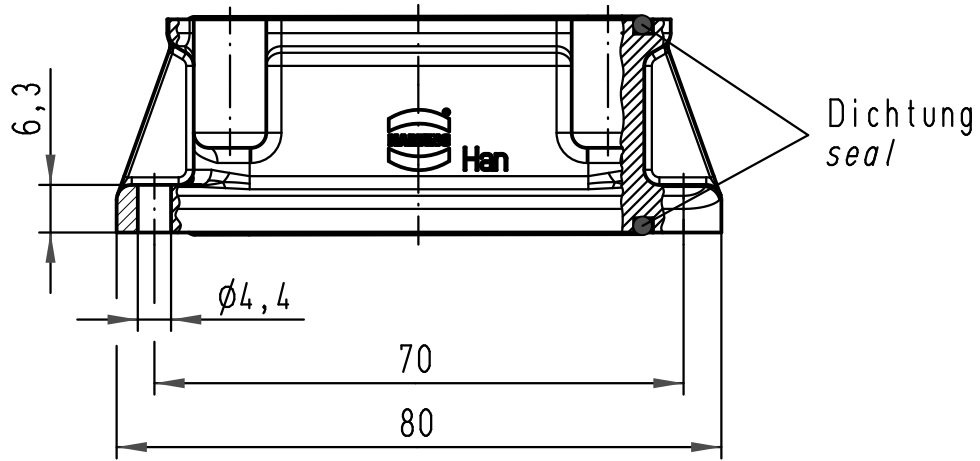


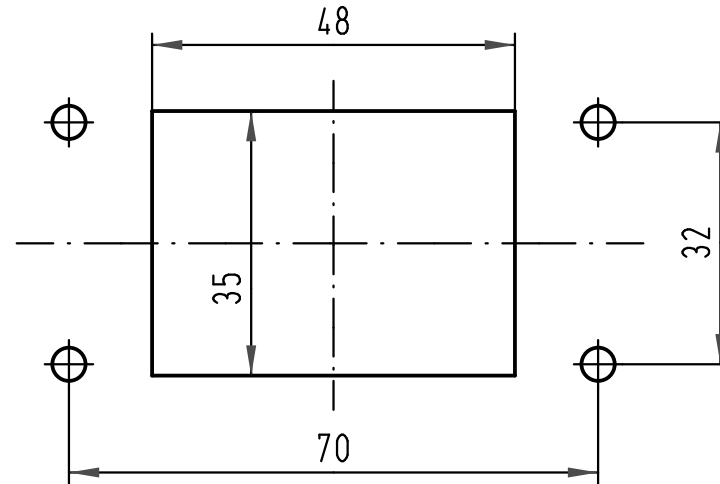
1 2 3 4 5 6

A

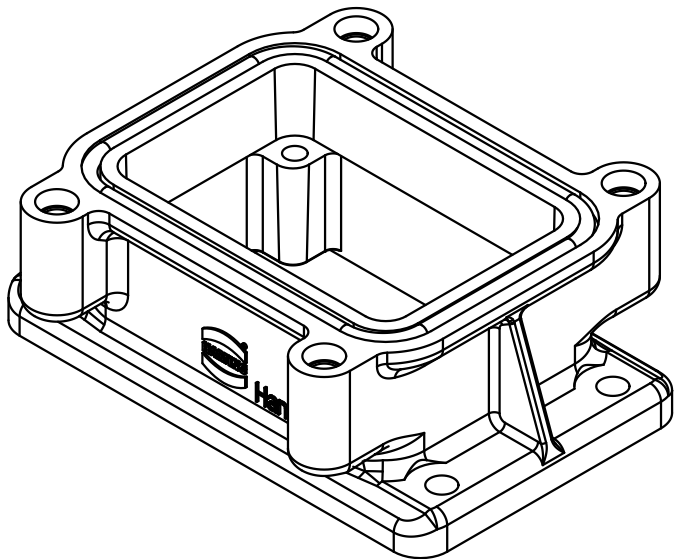


B

Montageausschnitt
panel cut out



C



D

| | | | | | | | | |
|------|---|------|--|---|------------------------------------|---|---|--|
| | All Dimensions in mm Original Size DIN A 4 | | | Techn. Character. | | Nicht tolerierte Maß/Free size tolerances | | |
| | | | | Dat. | Name | Maßstab/Scale 1:1 | | |
| | | | | Detail. | 11.08.10 | Go | Han 6EMV-agg Anbaugehäuse housing bulkhead mounting | |
| | | | | Insp. | | Tie | | |
| | | | | Stand. | | | | |
| A | | | | HARTING Electric GmbH & Co. KG D-32339 Espelkamp | | | TB 09 62 006 0301 | |
| Mod. | Dat. | Name | | | Sub. TB 09 62 006 0301 v. 08.10.07 | | | |
| | | | | | | | Blatt/ page | |