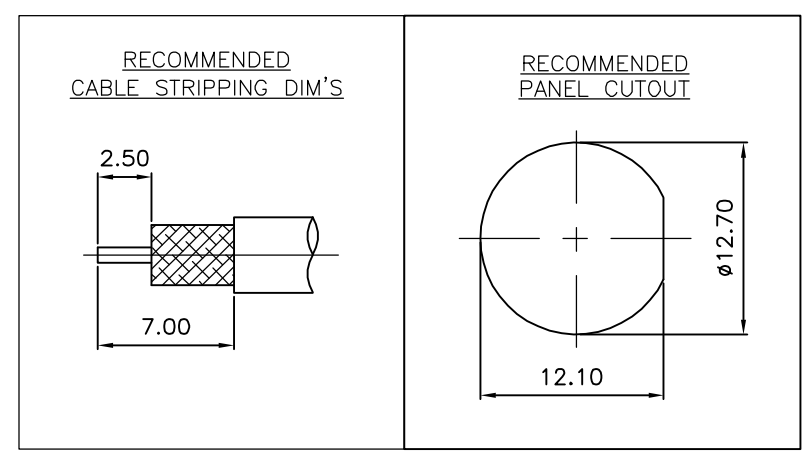
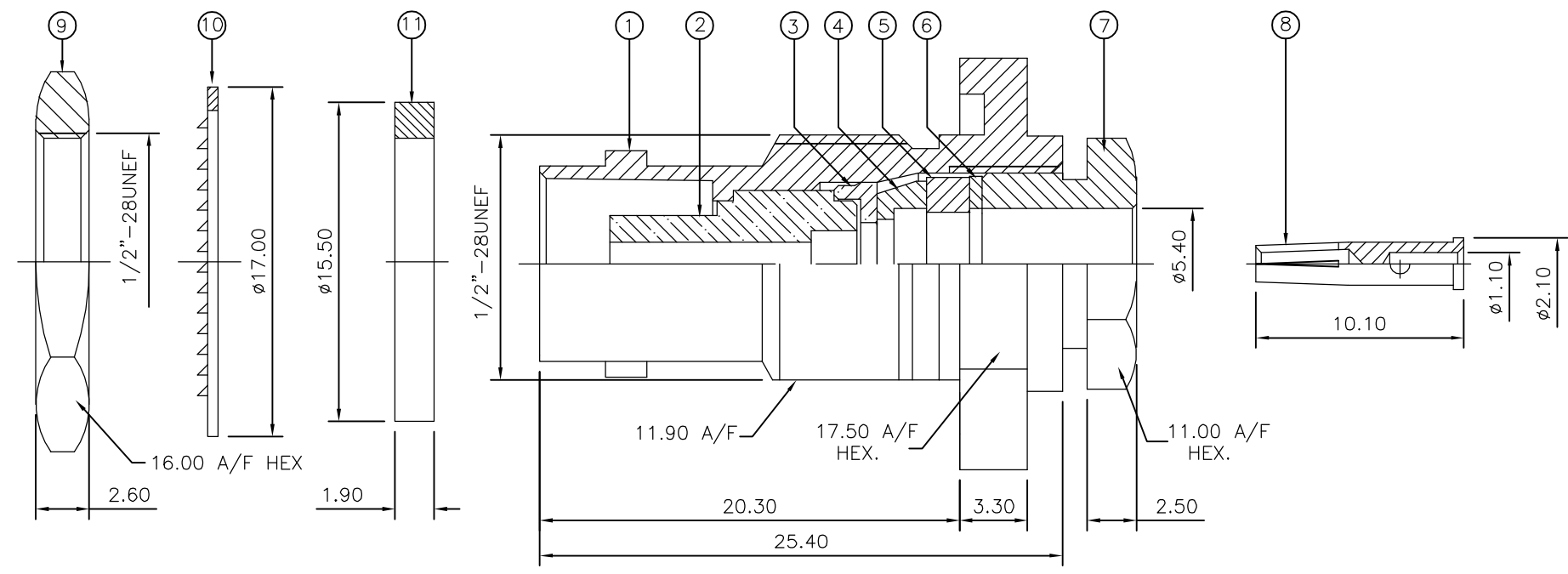


THIS DRAWING IS UNPUBLISHED. RELEASED FOR PUBLICATION JULY, 2006.
 © COPYRIGHT 2006 BY TYCO ELECTRONICS CORPORATION. ALL RIGHTS RESERVED.

LOC	DIST	REVISIONS					
E	B	P	LTR	DESCRIPTION	DATE	DWN	APVD
		B		ECR-06-015596	17JUL06	JMS	FWK

NOTES:

- 1 PACK IN ACCORDANCE WITH AMP SPEC 107-3275
- 2 100 TRAY PACK IN ACCORDANCE WITH AMP SPEC 107-3275
- 3 Ag PLATING
- 4 THIS ITEM MUST BE WHITE
- 5 ELECTRICAL CHARACTERISTICS
 FREQUENCY RANGE: DC - 4 GHz
 NOMINAL IMPEDANCE: 50 Ohm
 INSULATION RESISTANCE: 5000 MOhm
 WORKING VOLTAGE: 500 Volts RMS at Sea Level
 DIELECTRIC WITHSTAND VOLTAGE: 1500 Volts RMS Max
 CONTACT RESISTANCE:
 CENTRE CONTACT: 1.50 mOhm Max
 OUTER CONTACT: 0.20 mOhm Max
 VSWR @ 4GHz: 1.30:1 Max
 INSERTION LOSS dB @ x 3 GHz: 0.20 Max
- 6 MECHANICAL CHARACTERISTICS
 COUPLING NUT RETENTION FORCE: N/A
 CABLE RETENTION FORCE: 170N Min
 CLAMP NUT RECOMMENDED TORQUE: 4N
 MOUNT NUT RECOMMENDED TORQUE: 4N
 DURABILITY: 500 Cycles Min
- 7 ENVIRONMENTAL CHARACTERISTICS
 OPERATING TEMPERATURE: -65 to +165 DegC
- 8 FOR TECHNICAL DATA REFER TO YOUR LOCAL TYCO ELECTRONICS SALES OFFICE
- 9 ALL DIMENSIONS ARE NOMINAL FOR REFERENCE ONLY UNLESS OTHERWISE STATED



QTY	QTY	MATERIAL	NOTE	DESCRIPTION	ITEM
1	1	SILICON RUBBER	4	GASKET	11
1	1	STEEL	3	LOCKWASHER	10
1	1	BRASS	3	HEX. NUT	9
1	1	BRASS	3	CONTACT	8
1	1	BRASS	3	CLAMP NUT	7
1	1	BRASS	3	WASHER	6
1	1	SILICON RUBBER	4	GASKET	5
1	1	BRASS	3	SLEEVE	4
1	1	BRASS	3	WASHER	3
1	1	PTFE		INSULATION	2
1	1	BRASS	3	BODY	1
6--0	1--0				
		MATERIAL		DESCRIPTION	ITEM

THIS DRAWING IS A CONTROLLED DOCUMENT.		DWN J.SANDWELL 17JUL06	Tyco Electronics Corporation Bideford EX39 4HE	
DIMENSIONS: mm		CHK S.PARLOW 17JUL06		
TOLERANCES UNLESS OTHERWISE SPECIFIED:		APVD F.WHEELER-KING 17JUL06	NAME BNC STRAIGHT BULKHEAD JACK MIL-CLAMP 50 OHM RG58C/U, 141A/U, URM43, 76, KX15	
0 PLC ± - 1 PLC ± - 2 PLC ± - 3 PLC ± - 4 PLC ± - ANGLES ± -		PRODUCT SPEC	APPLICATION SPEC	
MATERIAL SEE TABLE		FINISH -	411-3252	
		WEIGHT -	A3 00779 C-1478148	
		CUSTOMER DRAWING		RESTRICTED TO -
		SCALE NTS	SHEET 1 OF 1	REV B