

THIS DRAWING IS UNPUBLISHED.

RELEASED FOR PUBLICATION

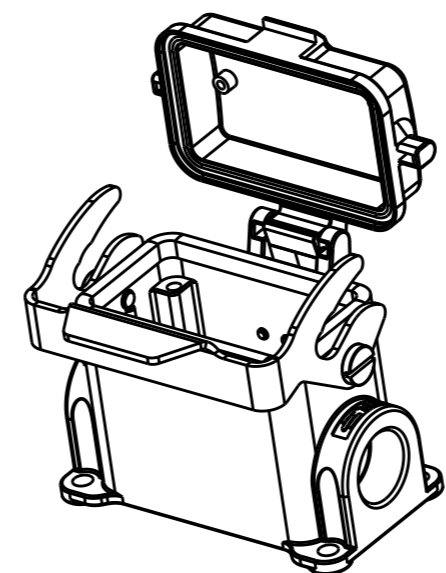
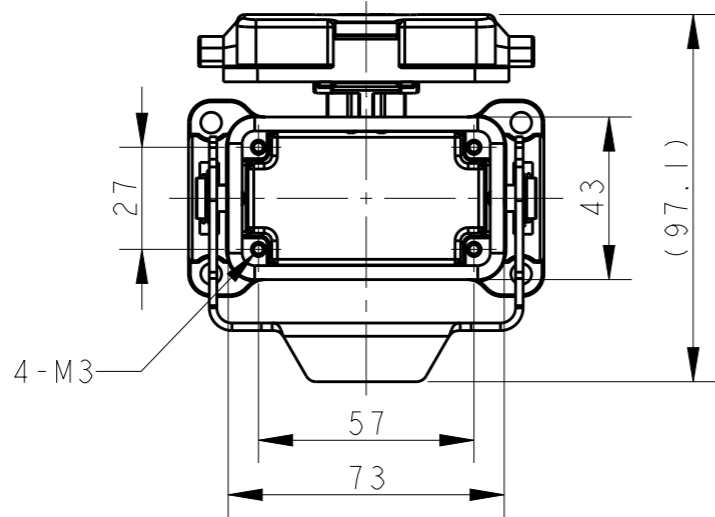
20

© COPYRIGHT 20 BY -

ALL RIGHTS RESERVED.

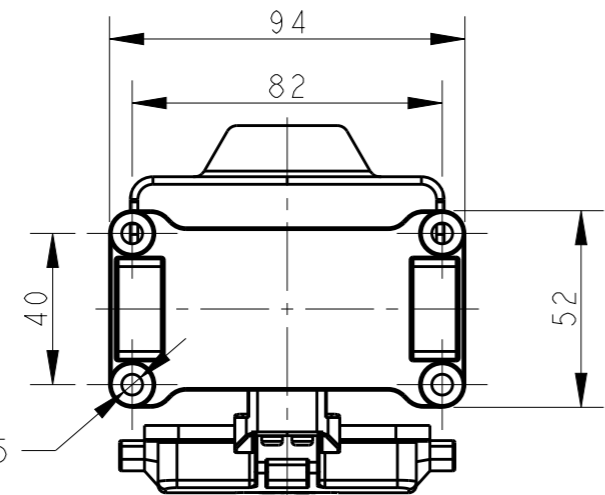
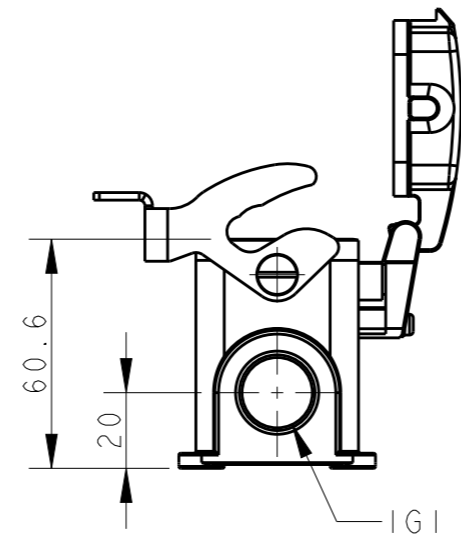
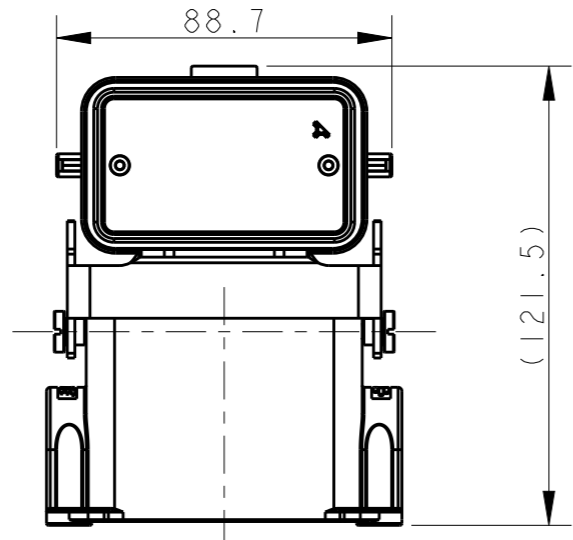
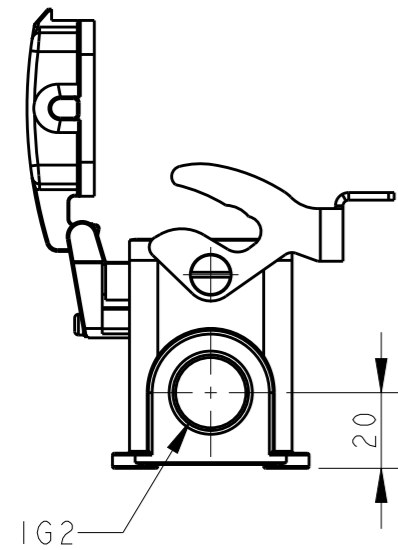
REVISIONS

P	LTR	DESCRIPTION	DATE	DWN	APVD
	A	INITIAL RELEASE	25JUN2015	DL	CW



NOTES:
 1. TECHNICAL CHARACTERISTICS:
 BODY MATERIAL: DIE CAST ALUMINIUM ALLOY
 SURFACE TREATMENT: POWDER-COATED, GRAY
 OPERATION TEMPERATURE: -40-+125°C
 DEGREE OF PROTECTION: IP65 (MATED)

注释:
 1. 技术参数:
 主体材料: 铝合金
 表面处理: 粉末喷涂, 灰色
 工作温度: -40-+125°C
 防护等级: IP65(配合)



T1620103116-000	TYPE I	H10B-SDR-LB-PG16	PG21	-
T1620103120-000		H10B-SDR-LB-M20	M25	-
T1620103121-000		H10B-SDR-LB-PG21	PG29	-
T1620103125-000		H10B-SDR-LB-M25	M32	-
T1620103216-000		H10B-SDR-LB-2PG16	PG21	PG21
T1620103220-000		H10B-SDR-LB-2M20	PG29	PG29
T1620103225-000		H10B-SDR-LB-2M25	M32	M32
ASSEMBLY PART NUMBER	TYPE	ASSEMBLY PART DESCRIPTION	IG1	IG2

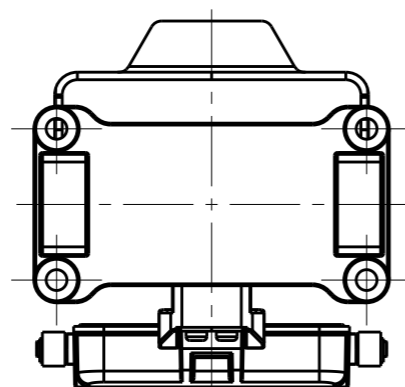
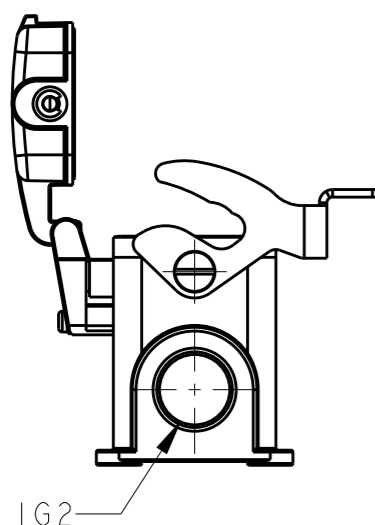
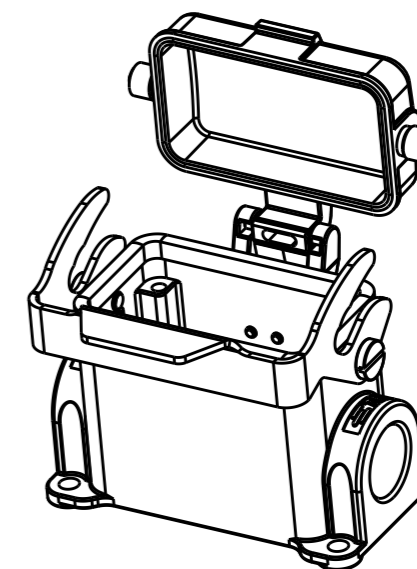
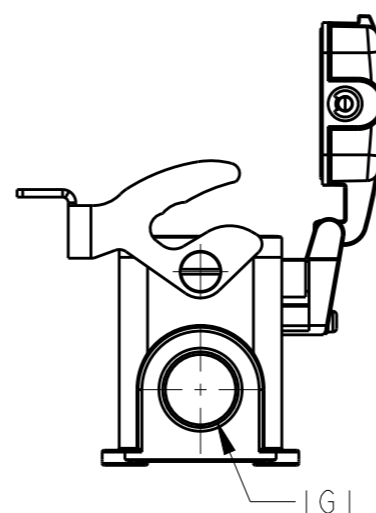
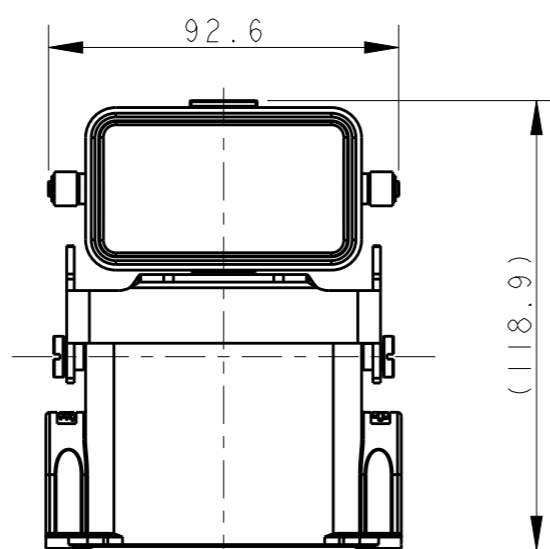
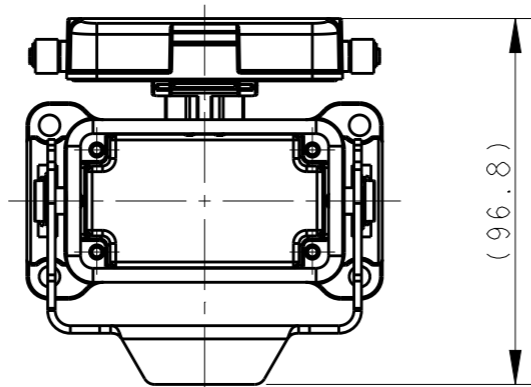
THIS DRAWING IS A CONTROLLED DOCUMENT.		DWN	DAVID LI	25JUN2015	TE TE Connectivity											
DIMENSIONS: mm		CHK	CHRIS WANG	25JUN2015												
TOLERANCES UNLESS OTHERWISE SPECIFIED:		APVD	XU XIANG	25JUN2015												
<table border="0"> <tr><td>0 PLC</td><td>±-</td></tr> <tr><td>1 PLC</td><td>±-</td></tr> <tr><td>2 PLC</td><td>±-</td></tr> <tr><td>3 PLC</td><td>±-</td></tr> <tr><td>4 PLC</td><td>±-</td></tr> <tr><td>ANGLES</td><td>±-</td></tr> </table>		0 PLC	±-	1 PLC		±-	2 PLC	±-	3 PLC	±-	4 PLC	±-	ANGLES	±-	PRODUCT SPEC	108-137013
0 PLC	±-															
1 PLC	±-															
2 PLC	±-															
3 PLC	±-															
4 PLC	±-															
ANGLES	±-															
MATERIAL TBD		APPLICATION SPEC	114-137013		NAME	H10B-SDR-LB-PG/M										
FINISH -		WEIGHT	-		SIZE	A3	CAGE CODE	-	DRAWING NO	©-T162010XXXX000	RESTRICTED TO	-				
-		CUSTOMER DRAWING			SCALE	1:2	SHEET	1 OF 2	REV	A						

TYPE I: BODY + STEEL LOCKING + PLASTIC PROTECTION COVER

THIS DRAWING IS UNPUBLISHED. RELEASED FOR PUBLICATION 20
 © COPYRIGHT 20 BY - ALL RIGHTS RESERVED.

REVISIONS

P	LTR	DESCRIPTION	DATE	DWN	APVD
	-	SEE SHEET 1	-	-	-



TYPE 2: BODY + STEEL LOCKING + METAL PROTECTION COVER
 OTHER SPEC REFER TO TYPE 1

TI620103416-000	TYPE 2	H10B-SDRM-LB-PG16	PG21	-
TI620103420-000		H10B-SDRM-LB-M20	PG29	-
TI620103425-000		H10B-SDRM-LB-M25	M32	-
TI620103316-000		H10B-SDRM-LB-2PG16	PG21	PG21
TI620103320-000		H10B-SDRM-LB-2M20	PG29	PG29
TI620103325-000		H10B-SDRM-LB-2M25	M32	M32
ASSEMBLY PART NUMBER	TYPE	ASSEMBLY PART DESCRIPTION	IG1	IG2

THIS DRAWING IS A CONTROLLED DOCUMENT.		DWN	DAVID LI	25JUN2015	TE TE Connectivity				
		CHK	CHRIS WANG	25JUN2015					
		APVD	XU XIANG	25JUN2015					
		PRODUCT SPEC	108-137013						
		APPLICATION SPEC	114-137013		NAME	H10B-SDRM-LB-PG/M			
MATERIAL		TBD	WEIGHT	-	SIZE	A3			
FINISH		-	CUSTOMER DRAWING	SCALE	1:2	CAGE CODE	-		
				DRAWING NO	G-TI62010XXXX000		RESTRICTED TO	-	
				SHEET	2	OF	2	REV	A