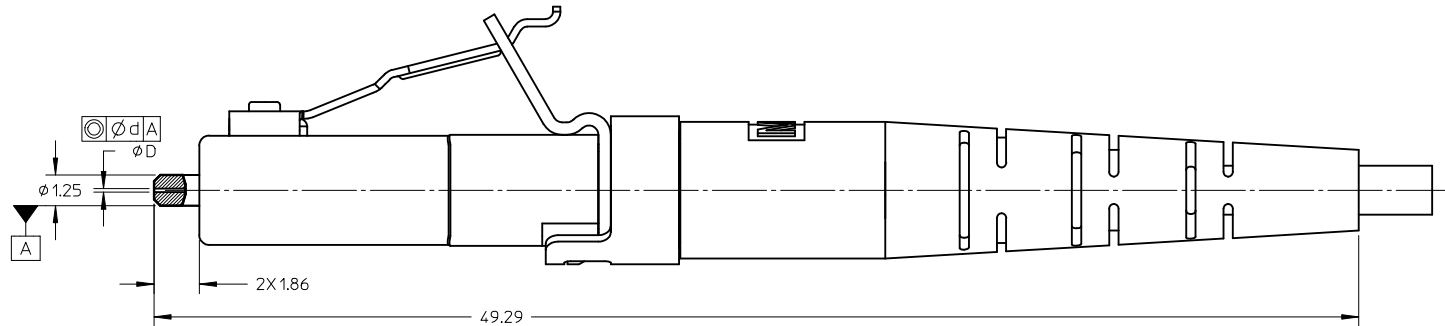
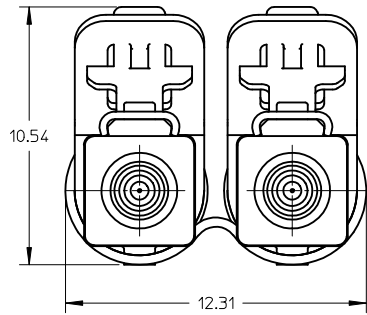
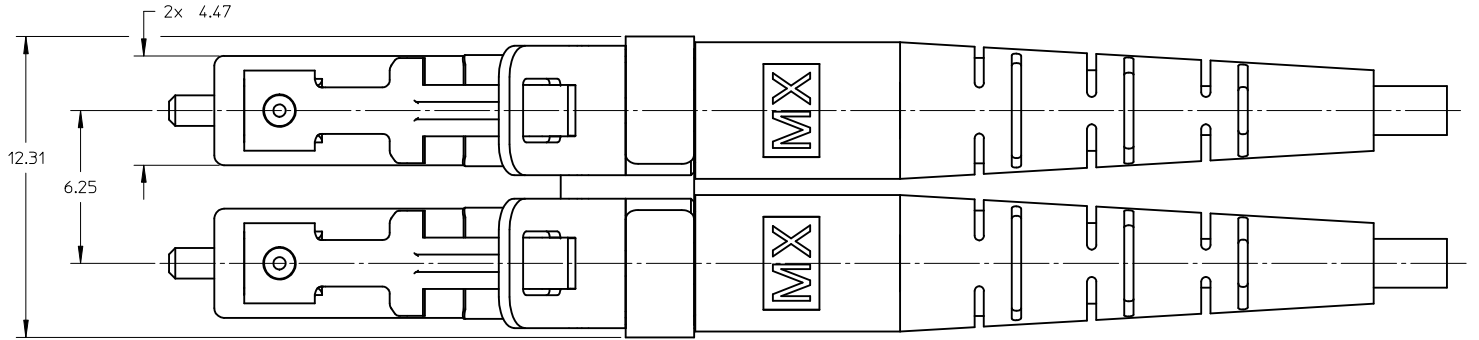
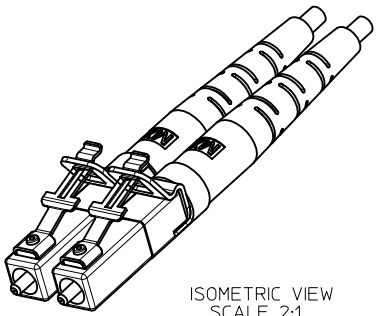


CONNECTOR P/N	∅D (μm)	∅d (μm)	BOOT COLOR	CABLE TYPE	CABLE DESCRIPTION AND ∅ (mm)
106397-2227	125.5 <sup>+1.0</sup> <sub>0</sub>	0.5	YELLOW	SM	SIMPLEX 1.6
106397-3000			BLUE		SIMPLEX 2.0
106397-2229	126.0 <sup>+3.0</sup> <sub>0</sub>	1.0	YELLOW		SIMPLEX 1.6
106397-1604			BLUE		SIMPLEX 2.0
106397-2427	127.0 <sup>+3.0</sup> <sub>0</sub>	3.0	WHITE	MM	SIMPLEX 1.6
106397-3010					SIMPLEX 2.0



NOTES:

1. ALL DIMENSIONS ARE FOR REFERENCE ONLY.
2. DUST CAPS ARE NOT SHOWN.

ENTER DESCRIPTION EC NO: MF2010-0477 DRW:KPEVZNER 2010/05/24 CHKD:WCHEN 2009/05/08 APPR:WCHEN 2010/05/27 REV B1	QUALITY SYMBOLS ▽=0 ▽7=0	GENERAL TOLERANCES (UNLESS SPECIFIED) <table border="1"> <thead> <tr> <th></th> <th>mm</th> <th>INCH</th> </tr> </thead> <tbody> <tr> <td>4 PLACES</td> <td>± ---</td> <td>± ---</td> </tr> <tr> <td>3 PLACES</td> <td>± ---</td> <td>± ---</td> </tr> <tr> <td>2 PLACES</td> <td>± ---</td> <td>± ---</td> </tr> <tr> <td>1 PLACE</td> <td>± ---</td> <td>± ---</td> </tr> </tbody> </table> ANGULAR ±1/2°		mm	INCH	4 PLACES	± ---	± ---	3 PLACES	± ---	± ---	2 PLACES	± ---	± ---	1 PLACE	± ---	± ---	DIMENSION STYLE MM ONLY	SCALE 5:1	DESIGN UNITS METRIC	THIRD ANGLE PROJECTION
		mm	INCH																		
	4 PLACES	± ---	± ---																		
	3 PLACES	± ---	± ---																		
2 PLACES	± ---	± ---																			
1 PLACE	± ---	± ---																			
DRAWN BY JSZEWCZYK	DATE 2009/04/27	TITLE LC2 PLUS DUPLEX CONNECTOR WITH 1.6MM & 2.0MM BOOT																			
CHECKED BY WCHEN	DATE 2009/05/08	MOLEX INCORPORATED																			
APPROVED BY BANDREI	DATE 2009/05/08	MATERIAL NO. SEE TABLE	DOCUMENT NO. SD-106397-3000	SHEET NO. 1 OF 1																	