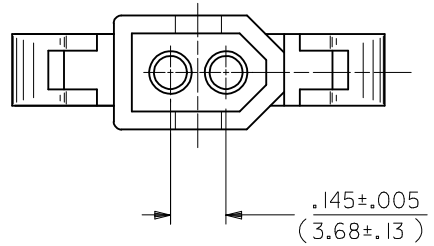
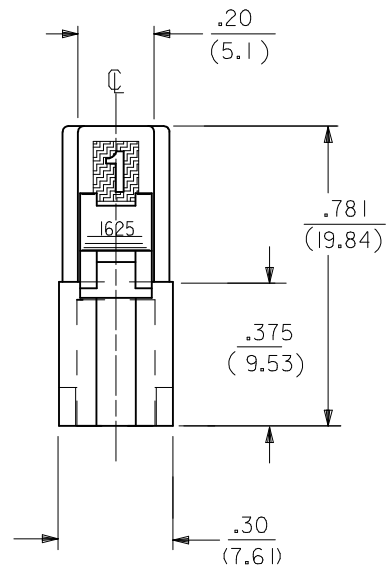
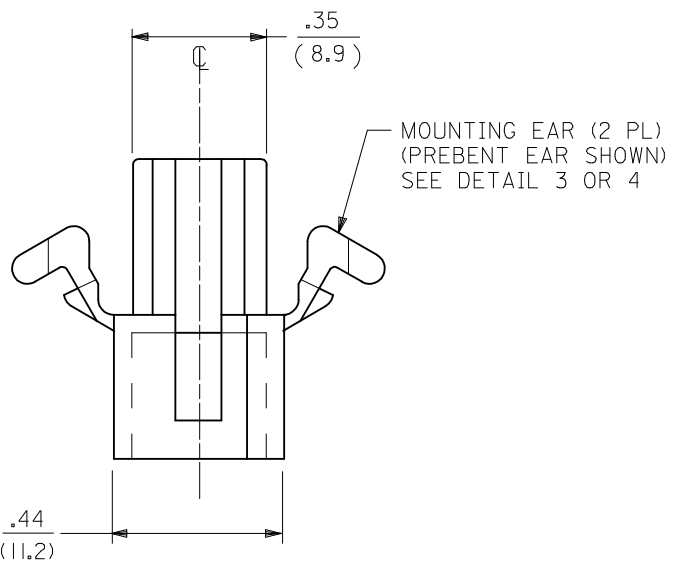
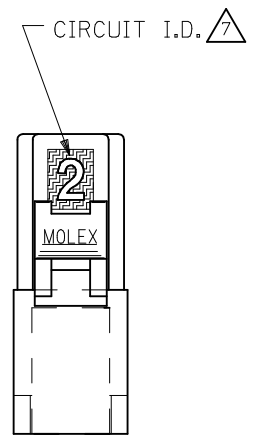
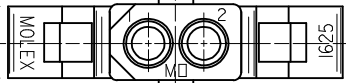


PLUG HOUSING



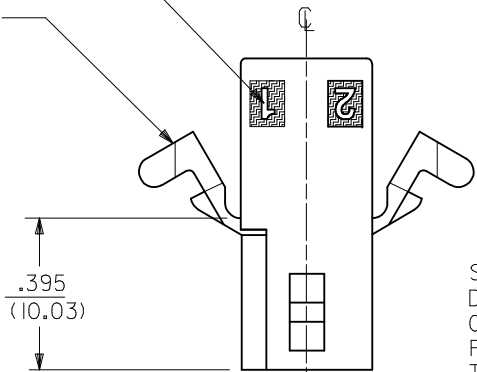
CORRECT .194 DIM. DEC NO: UCP2015-0569 DRWN:MKIPPER 2014/08/15 CHKD:JBELL 2014/08/15 APPR:FSMITH 2014/08/29	QUALITY SYMBOLS ▽=0 ▽=0 ▽=0	GENERAL TOLERANCES (UNLESS SPECIFIED)		DIMENSION STYLE IN/MM	SCALE 4:1	DESIGN UNITS INCH	THIRD ANGLE PROJECTION
		4 PLACES ± --- ± ---	DRAWN BY JJS	DATE 1988/04/13	TITLE PLUG AND RECEPTACLE 2 CIRCUIT HOUSINGS .062/(1.57) DIA. <b>molex</b> DOCUMENT NO. SD-1625-2* SHEET NO. 1 OF 3		
		3 PLACES ± --- ± .007	CHECKED BY RW	DATE 1988/04/13			
		2 PLACES ± 0.18 ± .010	APPROVED BY RAS	DATE 1988/04/13			
1 PLACE ± 0.25 ± ---	MATERIAL NO. SEE CHART						
0 PLACE ± --- ± ---	ANGULAR ± 1 °		DRAFT WHERE APPLICABLE MUST REMAIN WITHIN DIMENSIONS			THIS DRAWING CONTAINS INFORMATION THAT IS PROPRIETARY TO MOLEX INCORPORATED AND SHOULD NOT BE USED WITHOUT WRITTEN PERMISSION	
REV AF1	DESCRIPTION						

.187  
(4.75)



△ CIRCUIT I.D.

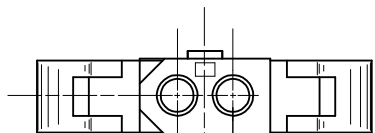
MOUNTING EAR (2 PL)  
(WHEN SPECIFIED)  
SEE DETAIL 3 OR 4



STANDARD  
DETENT SHOWN.  
OPTIONAL  
POSITIVE LOCK  
THIS SIDE ONLY  
(SEE NOTE △5)

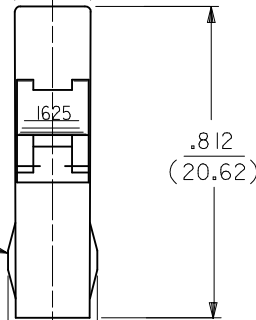
0.340  
(8.64)

0.233±.010  
(5.92±0.25)

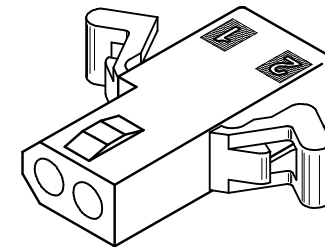


.145±.005  
(3.68±0.13)

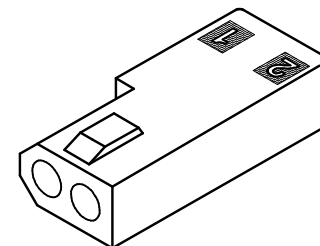
.194  
(4.93)



.812  
(20.62)



RECEPTACLE HOUSING  
(1625-2R2 SHOWN)



RECEPTACLE HOUSING  
(1625-2R3 SHOWN)

OPTIONAL POSITIVE LOCK

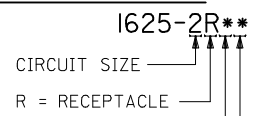
ONE SIDE ONLY  
SCALE 4:1

SEE SHEET 1 SEC NO: UCP2015-0569 DRAWN: KIPPER 2014/08/15 CHKD: BELL 2014/08/15 APPR: FSMITH 2014/08/29	QUALITY SYMBOLS ▽=0 ▽=0 ▽=0	GENERAL TOLERANCES (UNLESS SPECIFIED)		DIMENSION STYLE IN/MM	SCALE 4:1	DESIGN UNITS INCH	THIRD ANGLE PROJECTION		
		4 PLACES ± --- ± ---	3 PLACES ± --- ± .007	mm	INCH	DRAWN BY DATE JJS 1988/04/13			
		2 PLACES ± 0.18 ± .010	1 PLACE ± 0.25 ± ---	CHECKED BY DATE RW 1988/04/13			TITLE PLUG AND RECEPTACLE 2 CIRCUIT HOUSINGS .062/(1.57) DIA.		
		0 PLACE ± --- ± ---	APPROVED BY DATE RAS 1988/04/13			MATERIAL NO. DOCUMENT NO. SEE CHART SD-1625-2*			
AF1	REV	ANGULAR ± 1°		DRAFT WHERE APPLICABLE MUST REMAIN WITHIN DIMENSIONS			SHEET NO. 2 OF 3		
THIS DRAWING CONTAINS INFORMATION THAT IS PROPRIETARY TO MOLEX INCORPORATED AND SHOULD NOT BE USED WITHOUT WRITTEN PERMISSION									

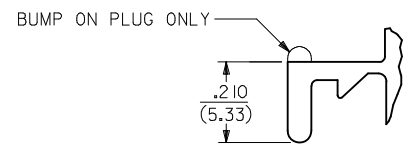
PLUG	
PART NO.	ENG. NO.
03-06-7023	I625-2P1BK
03-06-2023	I625-2P1
03-06-7027	I625-2P2BK
03-06-2024	I625-2P2

RECEPTACLE		
PART NO.	ENG. NO.	
03-06-6023	I625-2R1BK	
03-06-1020	I625-2R3	OBSOLETE
03-06-1023	I625-2R1	
03-06-1022	I625-2R2	
03-06-6025	I625-2R2RD	OBSOLETE
03-06-6026	I625-2R2GN	OBSOLETE
03-06-6027	I625-2R2BU	OBSOLETE
03-06-6022	I625-2R2BK	OBSOLETE
03-06-6028	I625-2R1BU	OBSOLETE

**RECEPTACLE LEGEND:**



BLANK = WITH STANDARD MOUNTING EARS; WITH DETENTS  
 1 = WITHOUT MOUNTING EARS; WITH DETENTS  
 2 = WITH PREBENT MOUNTING EARS; WITH DETENTS  
 3 = W/O MOUNTING EARS, WITH POSITIVE LOCK

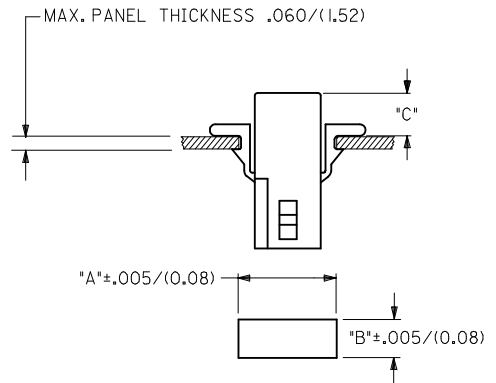


**PLUG LEGEND:**



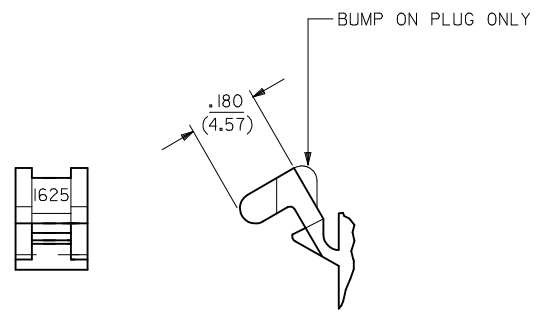
1 = WITHOUT MOUNTING EARS  
 2 = WITH PREBENT MOUNTING EARS  
 3 = W/O MOUNTING EARS, WITH POSITIVE LOCK

BLANK = NATURAL  
 AM=AMBER BK=BLACK BU=BLUE  
 BN=BROWN GY=GRAY GN=GREEN  
 OR=ORANGE RD=RED YW=YELLOW



**RECOMMENDED HOLE PATTERN**  
(NOT TO SCALE)

HOUSING	DIM. "A"	DIM. "B"	PREBENT EAR DIM. "C"	STD. EAR DIM. "C"
PLUG	.609 (15.47)	.318 (8.08)	.24 (6.0)	.24 (6.1)
RECEPTACLE	.505 (12.83)	.265 (6.73)	.25 (6.4)	.25 (6.4)



**DETAIL 4**

PREBENT MOUNTING EARS

- NOTES:
- MATERIAL - NYLON TYPE 6/6, 94V-2
  - FINISH: NONE
  - PRODUCT SPECIFICATION: PS-02-06
  - PACKAGING SPECIFICATION: PK-1625-003.
  - POSITIVE LOCK VERSION REQUIRES USE OF A SCREWDRIVER OR SIMILAR TOOL TO LIFT SHROUD ON PLUG HOUSING IN ORDER TO UNMATE RECEPTACLE HOUSINGS
  - HOUSINGS FOR USE WITH MOLEX .062/(1.57) DIA. SERIES TERMINALS.
  - CIRCUIT I.D. NUMBERS ON SIDE OF HOUSING APPEAR ON PARTS FROM TOOLS BUILT AFTER 07/01/1991.
  - THIS PART CONFORMS TO CLASS B REQUIREMENTS OF COSMETIC SPECIFICATION PS-45499-002.

SEE SHEET 1 EC NO: UCP2015-0569 DRW:MK1PPER 2014/08/15 CHKD:JBELL 2014/08/15 APPR:FSMITH 2014/08/29	QUALITY SYMBOLS	GENERAL TOLERANCES (UNLESS SPECIFIED)	DIMENSION STYLE IN/MM	SCALE 4:1	DESIGN UNITS INCH	THIRD ANGLE PROJECTION
	▽=0	mm INCH	DRAWN BY DATE JJS 1988/04/13	PLUG AND RECEPTACLE 2 CIRCUIT HOUSINGS .062/(1.57) DIA. <b>molex</b>		
	▽=0	4 PLACES ± --- ± ---	CHECKED BY DATE RW 1988/04/13			
	▽=0	3 PLACES ± --- ± .007	APPROVED BY DATE RAS 1988/04/13	MATERIAL NO.	DOCUMENT NO.	SHEET NO.
	2 PLACES ± 0.18 ± .010	DRAFT WHERE APPLICABLE MUST REMAIN WITHIN DIMENSIONS	SEE CHART	SD-1625-2*	3 OF 3	
	1 PLACE ± 0.25 ± ---		THIS DRAWING CONTAINS INFORMATION THAT IS PROPRIETARY TO MOLEX INCORPORATED AND SHOULD NOT BE USED WITHOUT WRITTEN PERMISSION			
	0 PLACE ± --- ± ---					