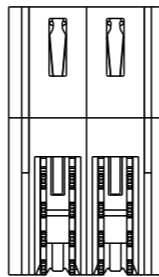
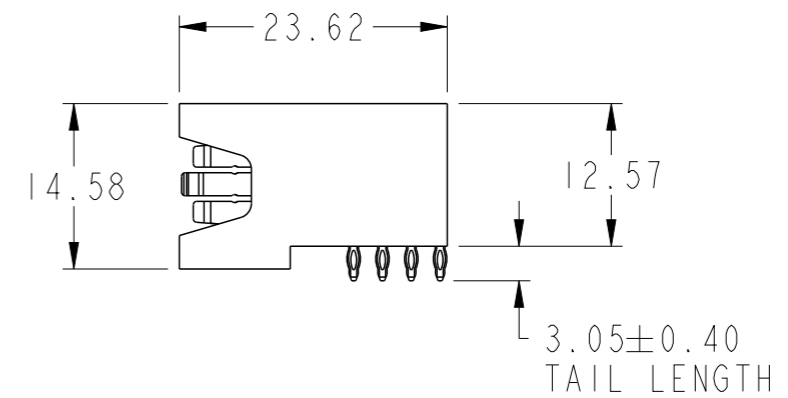
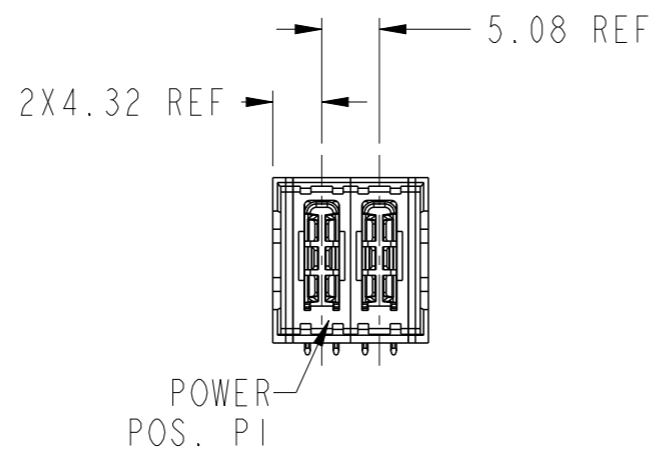
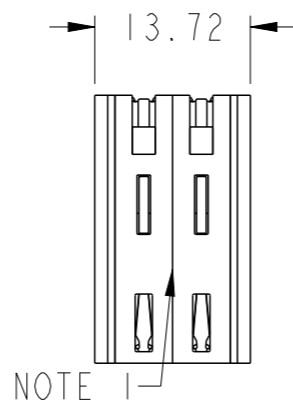
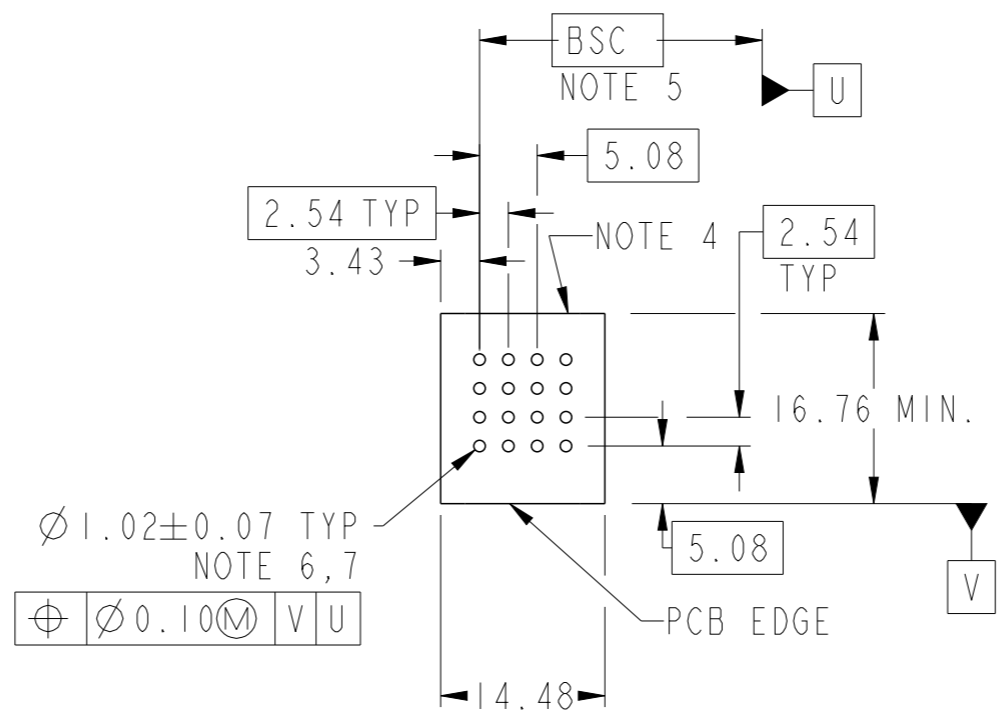


PRODUCT NUMBER SEE SHEET 2



spec ref	*	dr	Eddy Zeng	2014/04/29	projection	MM	size	A3	scale	3:2
tolerance std	ASME Y14.5	eng	Eddy Zeng	2014/05/06			ecn no	-	rel level	Released
TOLERANCES UNLESS OTHERWISE SPECIFIED		chr	Li-He	2014/05/06						
surface		linear	0.X	±0.5		title 2HP RA PF HEADER	dwg no 10106133-2000004	rev A	ASME Y14.5	
			0.XX	±0.25					angular	
			0.XXX	±0.10					0° ±2°	
www.fci.com		cat. no.		Product - Customer Drw			sheet 1 of 3			

PRODUCT NO.	ROWS	HP			
		E1	P1	P2	E2
10106133-2000004LF	DCBA	HE HE			



$\varnothing 1.02 \pm 0.07$ TYP
 NOTE 6,7
 $\varnothing 0.10$ M V U



Copyright FCI.

CODE	DESCRIPTION
HE	STD HIGH POWER CONTACT (3.05)

dr	Eddy Zeng	2014/04/29	projection	MM	size	A3	scale	3:2
eng	Eddy Zeng	2014/05/06			ecn no			
chr	Li-He	2014/05/06			-			
appr	Pei-Ming Zheng	2014/05/06	product family	PwrBlade+	rel level		Released	

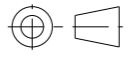
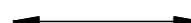

		2HP		10106133-2000004		A
		RA PF HEADER				
www.fci.com	cat. no.	Product - Customer Drw		sheet 2 of 3		

NOTES:

- 1) "FCI", PART NUMBER AND DATE CODE TO BE MARKED ON THIS SURFACE.
THE MARK CAN BE OMITTED IF THERE IS NOT ENOUGH SPACE ON THIS SURFACE.
- 2) MATERIALS:
-HOUSING - GLASS FILLED WITH HIGH TEMP THERMOPLASTIC, UL94V-0.
-SIGNAL CONTACT - COPPER ALLOY.
-POWER CONTACT - HIGH CONDUCTIVITY COPPER ALLOY.
- 3) PLATING SPECIFICATION REFER TO FCI 10116351
- 4) DENOTES CONNECTOR KEEP OUT ZONE.
- 5) DATUM AND BASIC DIMENSIONS WERE ESTABLISHED BY CUSTOMER.
- 6) ALL HOLE DIAMETERS ARE FINISHED HOLE SIZES.
- 7) 1.15 ± 0.025 MM DRILLED HOLE PLATED WITH 0.00762MM MIN Sn
OVER 0.0254-0.0762MM Cu PLATING TO ACHIEVE A 1.02 ± 0.07 MM HOLE.
- 8) PRODUCT SPECIFICATION REFER TO FCI GS-12-658.
APPLICATION SPECIFICATION REFER TO FCI GS-20-141.
PRODUCT PACKAGED IN TRAYS, REFER TO FCI GS-14-1502.



Copyright FCI.

dr	Eddy Zeng	2014/04/29	projection 	MM 	size	A3	scale	3:2
eng	Eddy Zeng	2014/05/06			ecn no	-		
chr	Li-He	2014/05/06			product family	PwrBlade+	rel level	Released
appr	Pei-Ming Zheng	2014/05/06			title 2HP RA PF HEADER	dwg no 10106133-2000004	rev A	
www.fci.com			cat. no.	Product - Customer Drw		sheet 3 of 3		