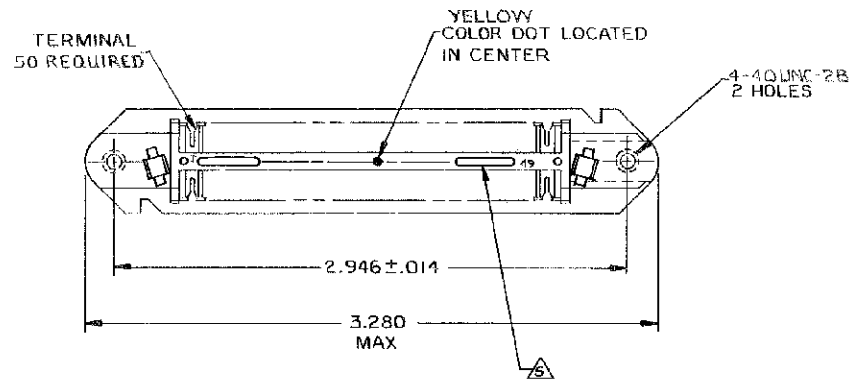
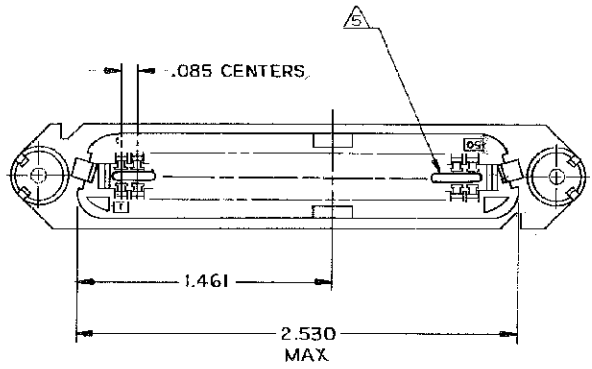
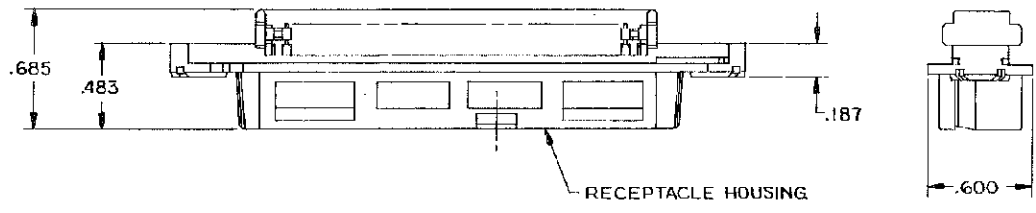


THIS DRAWING IS UNPUBLISHED. RELEASED FOR PUBLICATION
 © COPYRIGHT BY TYCO ELECTRONICS CORPORATION. ALL RIGHTS RESERVED.

LOC		DST		REVISIONS			
GP	00	FP	LVR	DESCRIPTION	DATE	OWN	APRD
		S		REVISED PER ECO-08-007327	26JAN2009	ZMR	WLM



1. THE CONTACT SURFACES OF THE TERMINALS ARE COATED WITH LUBRICANT.
2. ALL DIMENSIONS SHOWN ARE FOR REFERENCE ONLY UNLESS OTHERWISE SPECIFIED.
3. MATERIAL:
HOUSING - THERMOPLASTIC
TERMINALS - HIGH STRENGTH COPPER ALLOY PLATED WITH EITHER .000030 MIN GOLD OR GOLD FLASH OVER PALLADIUM NICKEL .000030 MIN TOTAL ON CONTACT MATING SURFACE. .000050 MIN NICKEL UNDERPLATE OVER ENTIRE TERMINAL.
4. WIRE SIZE: 26-27-28 AWG 7 STRANDS OF COPPER CONDUCTORS. MAX INSULATION Ø.045 IS ACCEPTABLE FOR MOST APPLICATIONS.
5. CORING MAY OR MAY NOT APPEAR AND IS AT THE DISCRETION OF TYCO ELECTRONICS.



BLACK	552391-1
COLOR	PART NO

THIS DRAWING IS A CONTROLLED DOCUMENT.		OWN STEPHEN DOSS 2-12-80	Tyco Electronics Corporation Harrisburg, PA 17105-3608
		CHK V.E. SLACK 2-14-80	
DIMENSIONS: INCHES		APRD B.G. WARD 2-15-80	NAME
TOLERANCES UNLESS OTHERWISE SPECIFIED:		RECEPTACLE ASSY, 50 POSITIONS, E SLOT W/ 4-4D HOLES, CHAMP-LOK	
0 PLC ± -	1 PLC ± -	PRODUCT SPEC	
2 PLC ± -	3 PLC ± -	APPLICATION SPEC	
4 PLC ± -	ANGLES ± -	SIZE	RESTRICTED TO
MATERIAL		WEIGHT	SCALE
FINISH		00779	552391
CUSTOMER DRAWING		SIZE	SHEET
		A2	1 of 1
		SCALE	REV
		NTS	S