

NOTES:

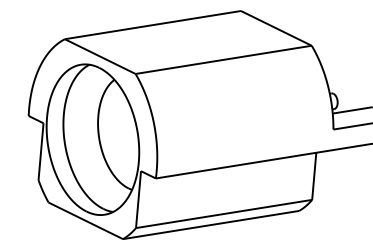
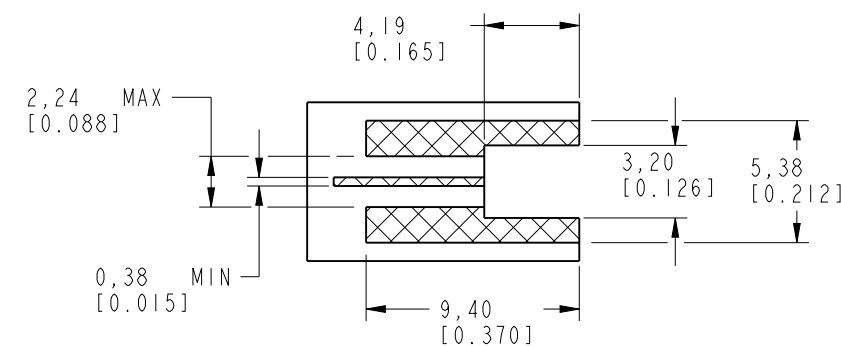
1. MATERIALS AND FINISHES:
  - BODY - BRASS, GOLD PLATING
  - CONTACT - BeCu, GOLD PLATING
  - INSULATOR - PTFE, NATURAL
2. ELECTRICAL:
  - A. IMPEDANCE: 50 OHM
  - B. FREQUENCY RANGE: DC - 40 GHz
  - C. VSWR (RETURN LOSS):
    - 1.15:1 MAX (23 dB MIN) AT DC-10 GHz
    - 1.25:1 MAX (19 dB MIN) AT 10-26.5 GHz
    - 1.35:1 MAX (17 dB MIN) AT 26.5-40 GHz
  - CONNECTOR ONLY, PERFORMANCE WILL VARY  
BASED ON BOARD LAYOUT
  - D. DIELECTRIC WITHSTANDING VOLTAGE: 500 VRMS, MIN.
  - E. INSULATOR RESISTANCE: 5000 MEGAOHMS MIN
  - F. CONTACT RESISTANCE:
    - CENTER CONTACT: 6 MILLIOHM, MAX
3. MECHANICAL:
  - A. ENGAGEMENT FORCE: 2.5 LBS TYP.
  - B. DISENGAGEMENT FORCE: 1.5 LBS TYP.
  - C. CONTACT RETENTION: 1.5 LBS MIN AXIAL FORCE
  - D. DURABILITY: 100 CYCLES MIN.
  - E. TEMPERATURE RANGE: -65°C TO +165°C

4. PACKAGING:
  - A. PACKAGE CONNECTOR IN TAPE AND REEL.
  - B. QUANTITY: 2200 PCS / REEL
  - C. MARKING: REEL TO BE MARKED  
"AMPHENOL RF, 925-169J-5IPT, AND DATE CODE"

THIRD ANGLE PROJ.

REVISIONS

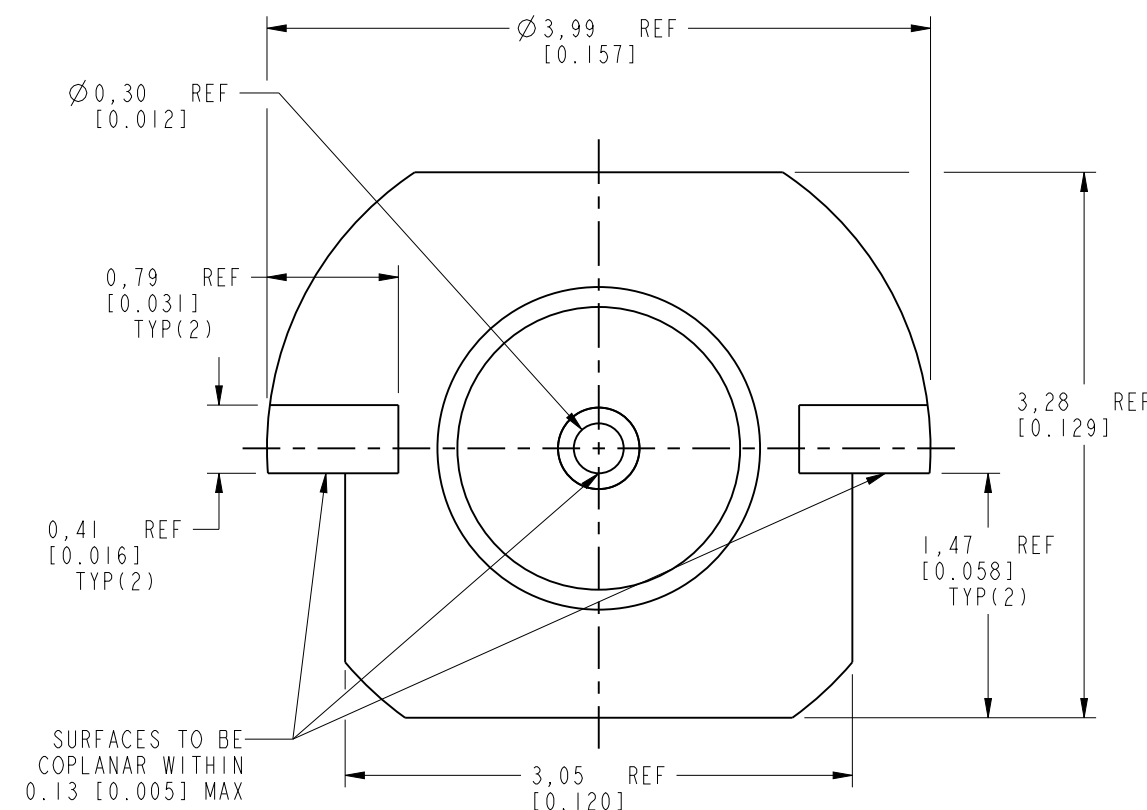
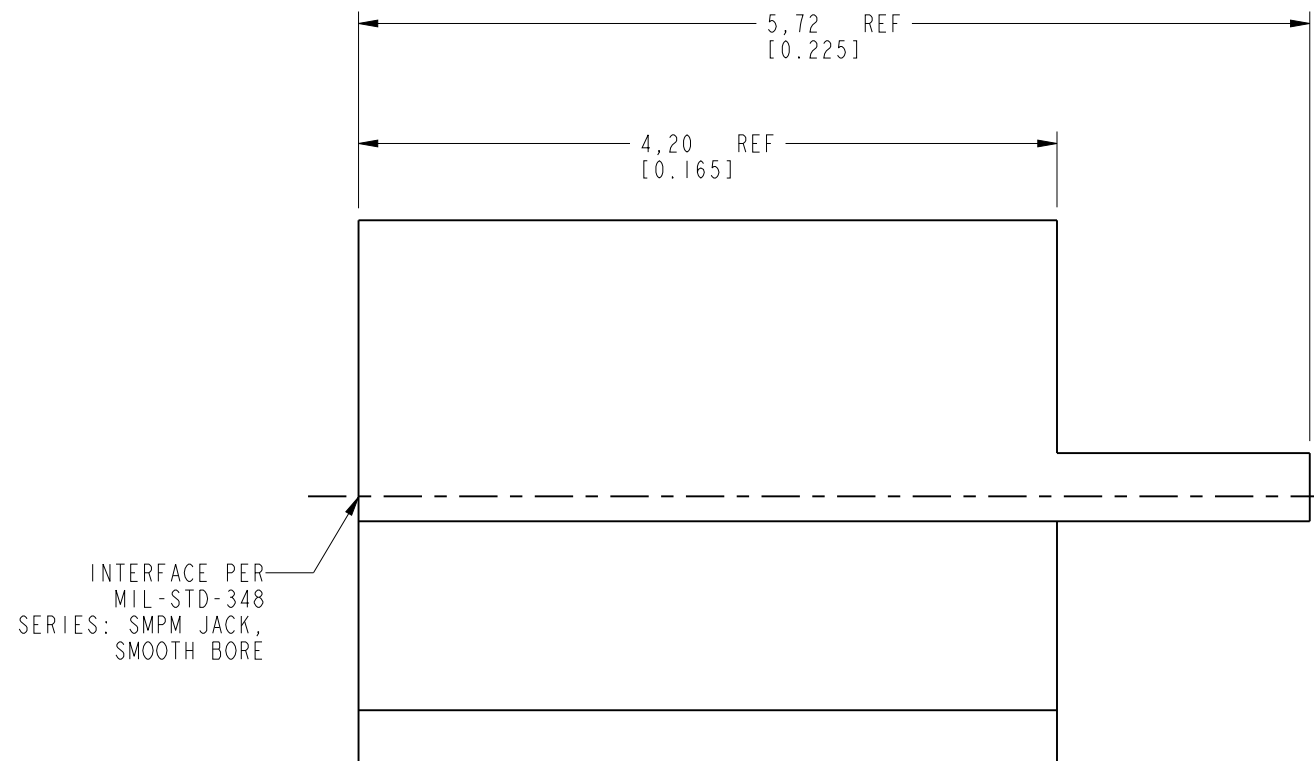
REV	DESCRIPTION	DATE	ECO	APPR
A	RELEASE TO MFG.	07-Jun-17	4003	BMG



SCALE 7.000

**RECOMMENDED  
PCB LAYOUT**

SOLDER FOOTPRINT ONLY,  
PERFORMANCE WILL VARY  
BASED ON BOARD LAYOUT



**CUSTOMER OUTLINE DRAWING**

ALL OTHER SHEETS ARE FOR INTERNAL USE ONLY

<p>UNLESS OTHERWISE SPECIFIED, DIMENSIONS ARE IN METRIC AND TOLERANCES ARE:</p> <table border="1"> <tr> <td>&lt;0.5mm</td> <td>0.5 - 6mm</td> <td>6 - 30mm</td> <td>30 - 120mm</td> <td>ANGLES</td> </tr> <tr> <td>± 0.05mm</td> <td>± 0.1mm</td> <td>± 0.2mm</td> <td>± 0.3mm</td> <td>± 1°</td> </tr> </table> <p>NOTICE - These drawings, specifications, or other data (1) are, and remain the property of Amphenol corp. (2) must be returned upon request; and (3) are confidential and not to be disclosed to any person other than those to whom they are given by Amphenol Corp. the furnishing of these drawings, specifications, or other data by Amphenol Corp., or to any other person to anyone for any purpose is not to be regarded by implication or otherwise in any manner licensing, granting rights to permitting such holder or any other person to manufacture, use or sell any product, process or design, patented or otherwise, that may in any way be related to or disclosed by said drawings, specifications, or other data.</p>	<0.5mm	0.5 - 6mm	6 - 30mm	30 - 120mm	ANGLES	± 0.05mm	± 0.1mm	± 0.2mm	± 0.3mm	± 1°	<p>MATERIAL</p> <p>SEE NOTES</p>	<p>DRAWN</p> <p>B. GREENBAUM</p> <p>DATE</p> <p>15-Mar-17</p>	<p>TITLE</p> <p>SMPM STR JACK SMOOTH BORE, EDGE MOUNT</p>		<p>Amphenol RF</p> <p>www.amphenolrf.com</p>	
	<0.5mm	0.5 - 6mm	6 - 30mm	30 - 120mm	ANGLES											
	± 0.05mm	± 0.1mm	± 0.2mm	± 0.3mm	± 1°											
	<p>REFERENCE</p> <p>7607</p>	<p>ENGINEER</p> <p>B. GREENBAUM</p> <p>DATE</p> <p>15-Mar-17</p>	<p>SCALE: 22.0:1.0 SHEET 2 OF 2</p>		<p>DRAWING NO. 925-169J-5IPT</p>											
<p>CONFIGURATION LEVEL: In Work</p>	<p>APPROVED</p> <p>K. CAPOZZI</p> <p>DATE</p> <p>07-Jun-17</p>	<p>DWG SIZE</p> <p>B</p>	<p>REV</p> <p>A</p>	<p>ITEM NO. 925-169J-5IPT</p>												
<p>FINISH</p>	<p>CAD FILE</p>			<p>PART NO. 925-169J-5IPT</p>												