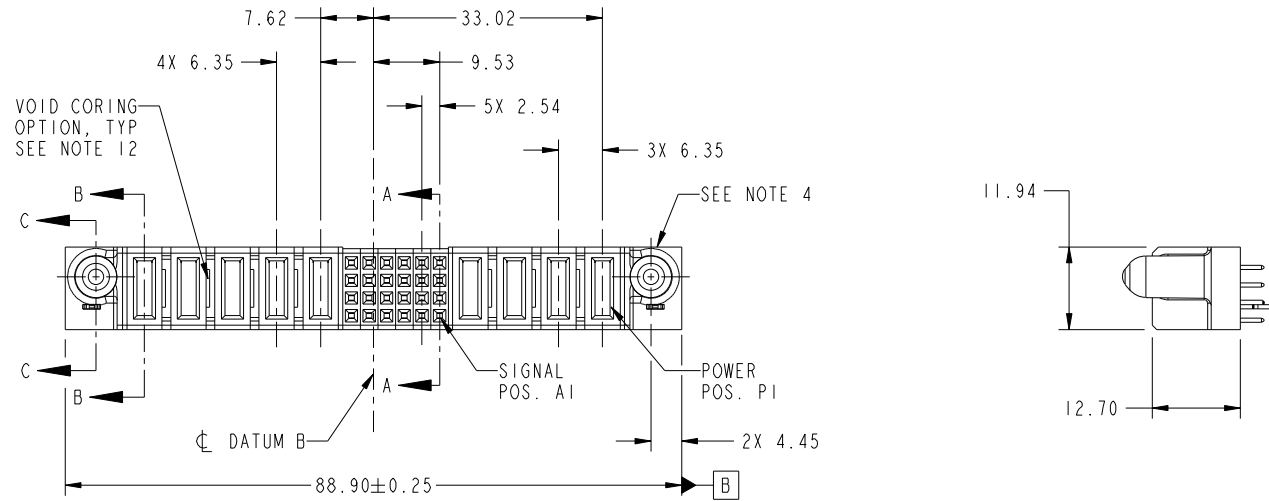


Tous droits strictement réservés. Reproduction ou communication a des tiers interdite sous quelque forme que ce soit sans autorisation écrite du propriétaire. Propriété de c FCI. Droits de reproduction FCI.



All rights strictly reserved. Reproduction or issue to third parties in any form whatever is not permitted without written authority from the proprietor. Property of FCI. Copyright FCI.

PRODUCT NO.	ROWS	POWER					SIGNAL					POWER						
		E2	P9	P8	P7	P6	P5	6	5	4	3	2	1	P4	P3	P2	P1	E1
51750-109-- NOTE: 3	D C B A		PA	PD	PD	PD	PD	E	E	E	E	E	E	PD	PD	PD	PD	



CODE	DIM "M" MATING LENGTH	CONTACT TYPE
E	[N/A]	SIGNAL
PD	[2.34]	POWER
HA	[N/A]	HOLD-DOWN
PA	[1.07]	POWER

mat'l code				SEE NOTES		tolerances unless otherwise specified		CUSTOMER		FCI	
ltr	ecn no.	dr	date	linear		0.X ±0.5	COPY		www.fciconnect.com		
A	DG10-0440	PB	12/08/10	angles		0.XX ±0.25	projection	title			
						0.XXX ±0.1		4P + 24S + 5P VERTICAL STB RECEPT			
				dr	PB Fu	12/01/10		product family	PwrBlade	code	213
				enr	PB Fu	12/01/10	scale	size	dwg no	sheet	1 of 4
				chr	PM ZHENG	12/01/10	1:1	A	51750-109		
				appd	Joseph Hsia	12/01/10					
sheet index	revision sheet	A	A	A	A	A					
		1	2	3	4						

cage code 22526

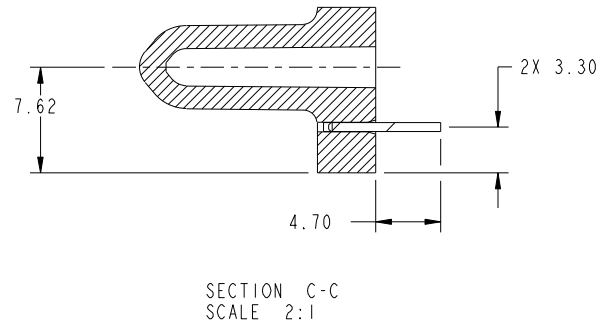
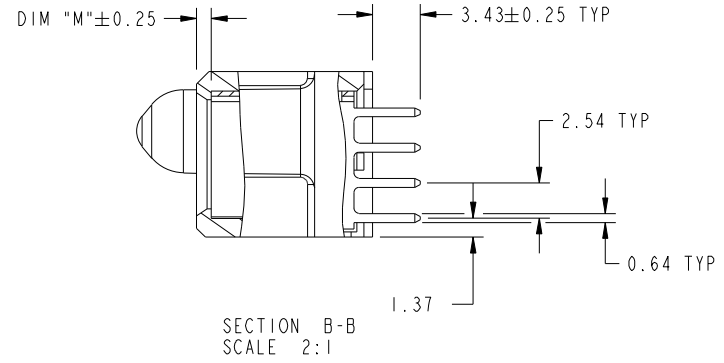
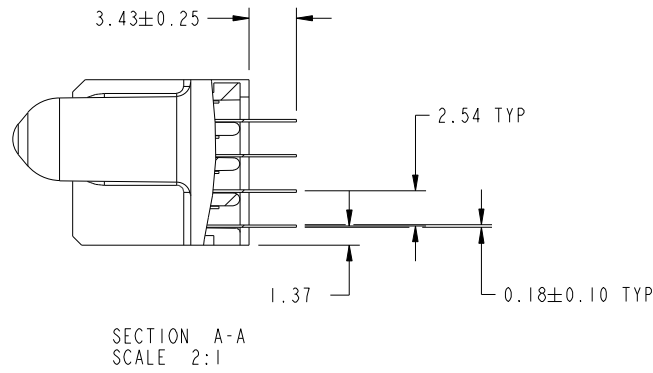
Pro/E

Tous droits strictement reserves. Reproduction ou communication a des tiers interdite sous quelque forme que ce soit sans autorisation ecrite du proprietaire. Propriete de c FCI. Droits de reproduction FCI.

All rights strictly reserved. Reproduction or issue to third parties in any form whatever is not permitted without written authority from the proprietor. Property of FCI. Copyright FCI.



PRODUCT NUMBER
51750-109--
NOTE: 3



mat'l code				tolerances unless otherwise specified		CUSTOMER		FCI	
ltr	ecn no.	dr	date	linear	0.X ±0.5	COPY		www.fciconnect.com	
A					0.XX ±0.25	projection		title	
				angles	0.XXX ±0.1			4P + 24S + 5P VERTICAL STB RECEIPT	
				dr	PB Fu 12/01/10			product family PwrBlade code	
				engr	PB Fu 12/01/10	scale		size	
				chr	PM ZHENG 12/01/10	1:1		dwg no	
				appd	Joseph Hsia 12/01/10			A 51750-109	
sheet index		revision sheet						sheet	
								2 of 4	

cage code 22526

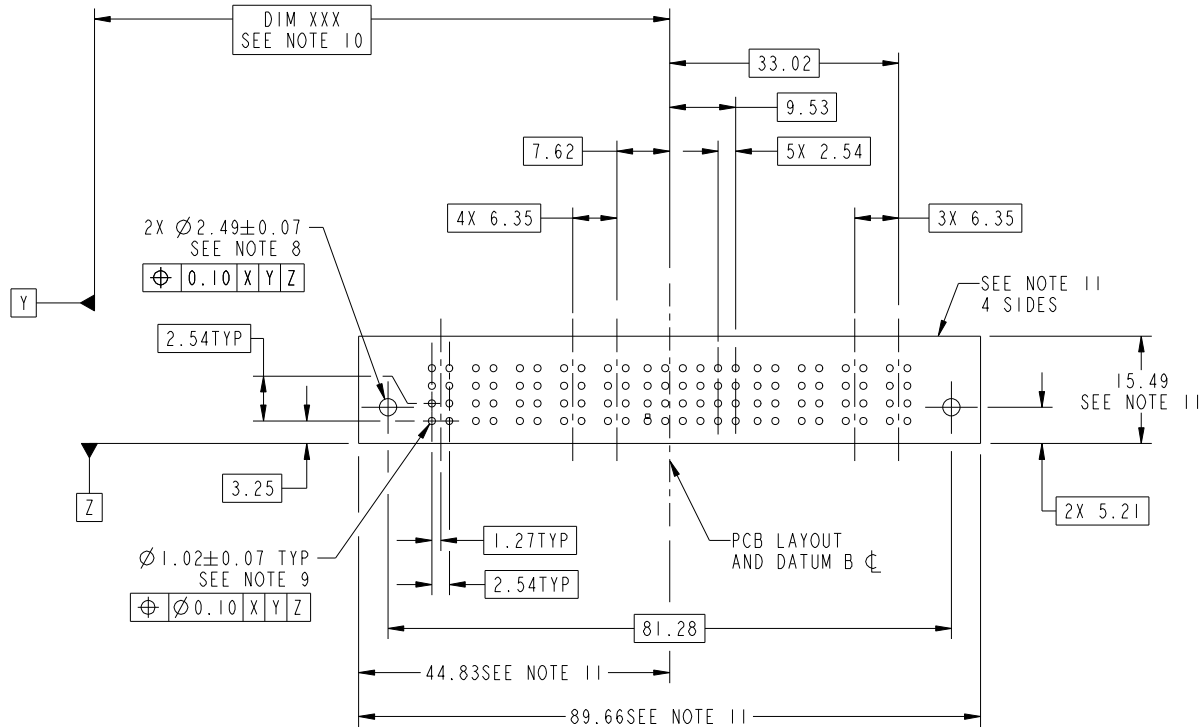
Pro/E

Tous droits strictement reserves. Reproduction ou communication a des tiers interdite sous quelque forme que ce soit sans autorisation écrite du propriétaire. Propriete de c FCI. Droits de reproduction FCI.



All rights strictly reserved. Reproduction or issue to third parties in any form whatever is not permitted without written authority from the proprietor. Property of FCI. Copyright FCI.

PRODUCT NUMBER
51750-109_
NOTE: 3



RECOMMENDED PCB LAYOUT

mat'l code				tolerances unless otherwise specified			CUSTOMER		FCI		www.fciconnect.com	
ltr	ecn no.	dr	date	linear	0.X ± 0.5		COPY		projection	title		
A					0.XX ± 0.25		MIM			4P + 24S + 5P VERTICAL STB RECEPT		
					0.XXX ± 0.1		← MIM →			product family PwrBlade code 213		
				angles	0° ± 2°		scale		size		sheet	
				dr	PB Fu 12/01/10		1:1		dwg no		3 of 4	
				enrg	PB Fu 12/01/10		A		51750-109			
				chr	PM ZHENG 12/01/10							
				appd	Joseph Hsia 12/01/10							
sheet index		revision sheet										

cage code 22526

Pro/E

Tous droits strictement reserves. Reproduction ou communication a des tiers interdite sous quelque forme que ce soit sans autorisation écrite du propriétaire. Propriete de c FCI. Droits de reproduction FCI.



All rights strictly reserved. Reproduction or issue to third parties in any form whatever is not permitted without written authority from the proprietor. Property of FCI. Copyright FCI.

PRODUCT NUMBER
51750-109_-
NOTE: 3

NOTES:

1. DIMENSIONS AND TOLERANCES ARE IN ACCORDANCE WITH ASME Y14.5M, 1994 UNLESS OTHERWISE SPECIFIED.

CONNECTOR NOTES:

- 2 HOUSING MATERIAL: UL 94 V-0 GLASS FILLED HIGH-TEMP THERMOPLASTIC
POWER CONTACT MATERIAL: COPPER ALLOY
SIGNAL PIN MATERIAL: COPPER ALLOY
 - 3. SEE ITEM 5 & 6 IN PRINT 10064183 FOR PLATING SPEC OF 51750-109 AND 51750-109LF RESPECTIVELY.
 - 4 MANUFACTURER'S NAME, DATE CODE AND OPTIONAL P/N TO APPEAR ON THIS SURFACE. THE P/N CAN BE OMITTED IF THERE IS NOT ENOUGH SPACE ON THIS SURFACE.
 - 5. PRODUCT SPECIFICATION GS-12-149.
APPLICATION SPECIFICATION BUS-20-067.
 - 6. PACKAGED IN TRAYS.
- PCB NOTES:
- 7. ALL HOLE DIAMETERS ARE FINISHED HOLE SIZE.
 - 8 MOUNTING HOLES, WHERE APPLICABLE, ARE UNPLATED.
 - 9 $\varnothing 1.151 \pm 0.025$ DRILLED HOLES PLATED WITH
0.008 MIN SnPb OR Sn OVER 0.03
TO 0.08 Cu PLATING TO ACHIEVE
 $\varnothing 1.02 \pm 0.07$ HOLE.
 - 10 "DIM XXX" TO BE DETERMINED BY THE CUSTOMER.
 - 11 CONNECTOR KEEP-OUT ZONE.
 - 12. THE VOID CORING IN BETWEEN POWER MODULES, SIGNAL MODULES AND END MODULES ARE OPTIONAL AND THE SHAPE MAY BE DIFFERENT FOR OPTIMIZE THE MOLDING PROCESS. THE VOID CORING WILL NOT EFFECT TO PRODUCT FUNCTION.

mat'l code				tolerances unless otherwise specified			CUSTOMER		FCI		www.fciconnect.com	
ltr	ecn no.	dr	date	linear	0.X ± 0.5			COPY		projection	title	
A					0.XX ± 0.25			MIM			4P + 24S + 5P VERTICAL STB RECEPT	
					angles	0.XXX ± 0.1			scale		product family PwrBlade code	
				dr		PB Fu	12/01/10	1:1		size	dwg no	213
				enrg	PB Fu	12/01/10			A	51750-109	sheet	
				chr	PM ZHENG	12/01/10					4 of 4	
				appd	Joseph Hsia	12/01/10						
sheet index	revision sheet											

cage code 22526

Pro/E