

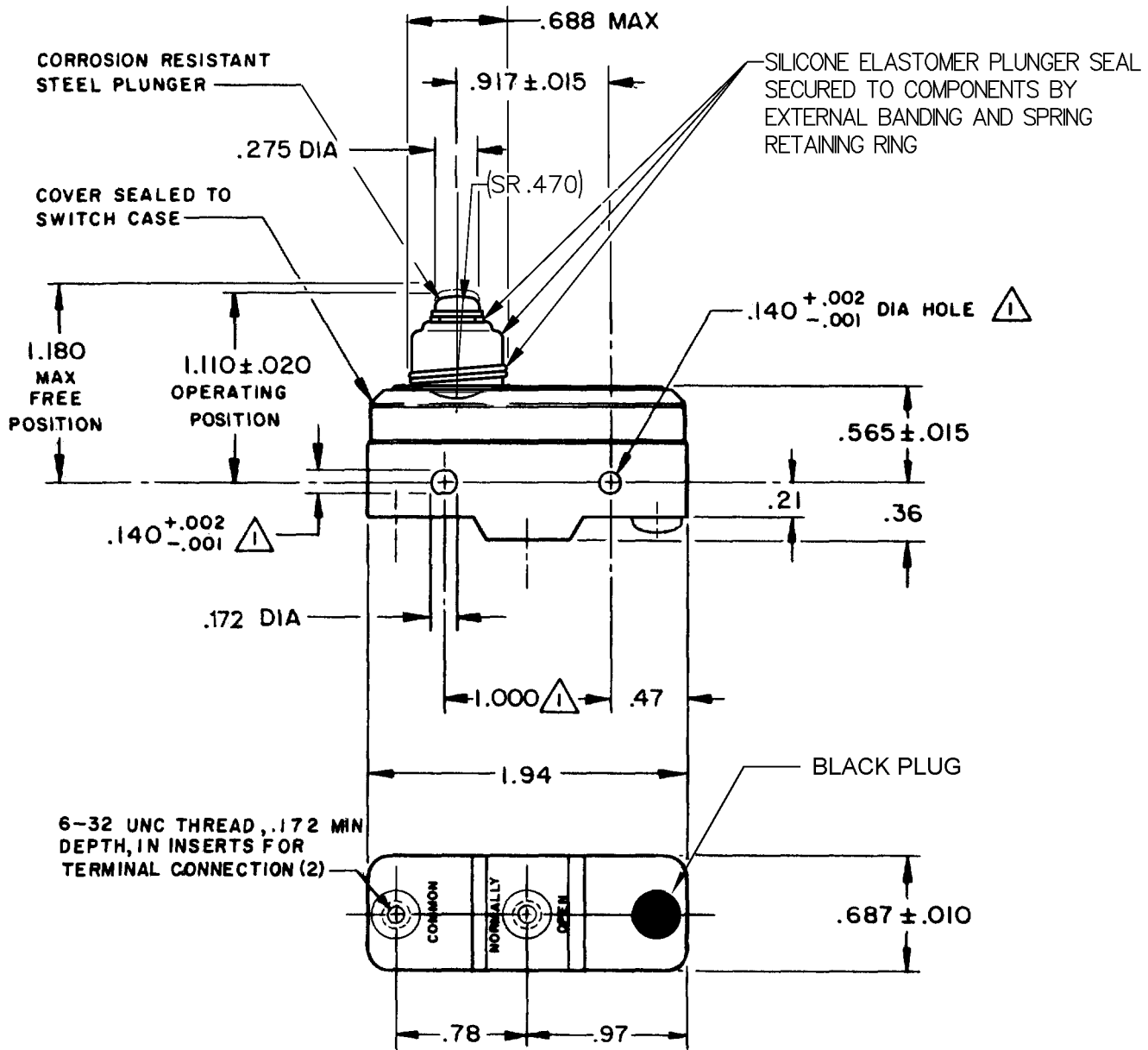
# MICRO SWITCH

a Honeywell Division

FED. MFG. CODE 91929

## SWITCH - BASIC

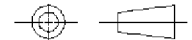
CATALOG LISTING  
**YZ-2RDS4**



**NOTE**  
 ⚠ MOUNTING HOLES WILL ACCEPT PINS OR SCREWS OF .139 MAX DIA ON 1.000 ± .002 CENTERS  
 2 - SEALED CONSTRUCTION PROVIDES SPLASH RESISTANCE  
 3 - TERMINAL SCREWS (2) AND WASHERS (2) FURNISHED UNASSEMBLED

THIS DRAWING COVERS A PROPRIETARY ITEM AND IS THE PROPERTY OF MICRO SWITCH, A DIVISION OF HONEYWELL. THIS DRAWING IS NOT TO BE COPIED OR USED WITHOUT THE APPROVAL OF MICRO SWITCH.

THIRD ANGLE PROJECTION



### CHARACTERISTICS

OPERATING FORCE ----- 13-19 OZ  
 RELEASE FORCE ----- 4 OZ MIN  
 DIFFERENTIAL TRAVEL --- .0004 - .0025  
 OVERTRAVEL ----- .060 MIN

### ELECTRICAL DATA

CONTACT ARRANGEMENT  
SPNO

**L96**  
 15A 125, 250 OR 480 VAC  
 1/8 HP 125 VAC, 1/4 HP 250 VAC  
 1/2A 125 VDC, 1/4A 250 VDC

L288  
 L299  
 L306



16A 250V ~ T85 5E4

### SCALE FULL

DO NOT SCALE PRINT

UNLESS OTHERWISE SPECIFIED TOLERANCES ARE  
 ONE PLACE (.0) ± .030  
 TWO PLACE (.00) ± .015  
 THREE PLACE (.000) ± .005  
 ANGLES ±

WEIGHT .078 LB

CATALOG LISTING  
**YZ-2RDS4**  
 PAGE 1 OF 1  
 ISSUE 11  
 RELEASE NO. SR-11300  
 REPLACES  
 CHECK  
 REVISIONS  
 A C083108 G J W 12 JUN 96  
 B C093346 D L T 22 SEP 98  
 C 205503 G J W 2 MAY 02  
 D 205852  
 E 0000683 C S L 19 JUN 02  
 C S L 2 JUL 03  
 CHECK  
 DRAWN  
**RASTER**  
 G J W 12 JUN 96