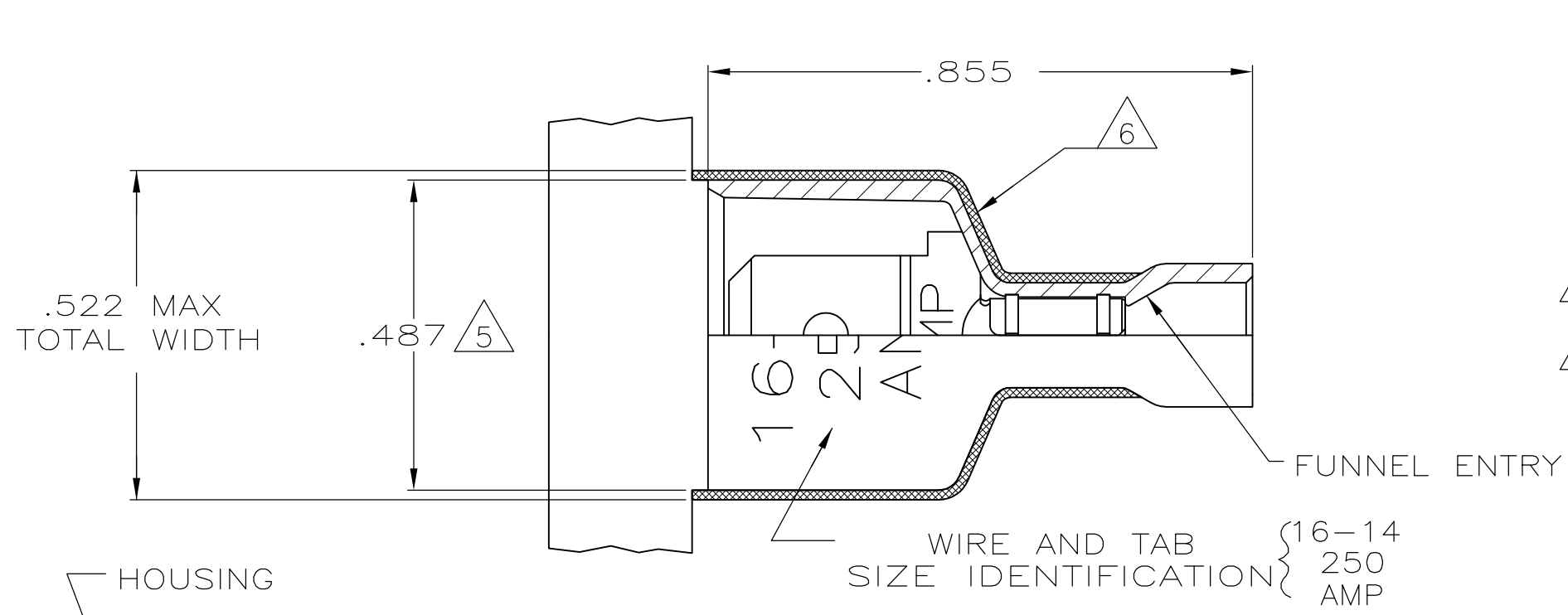
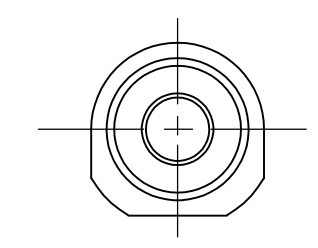
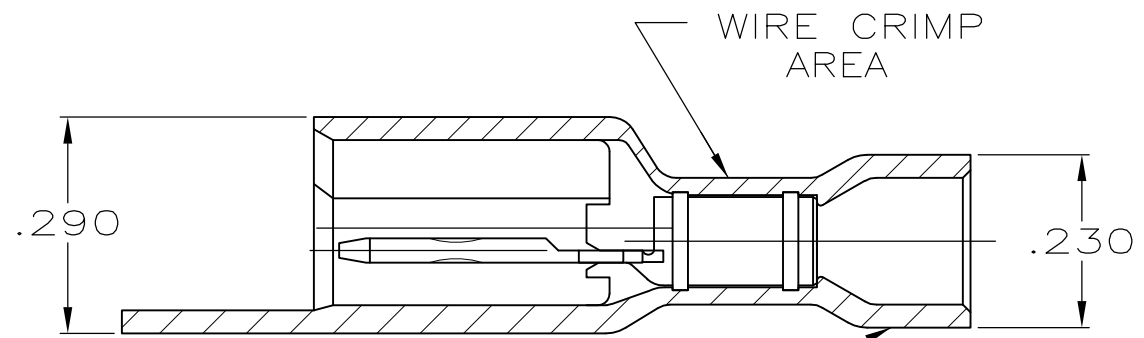
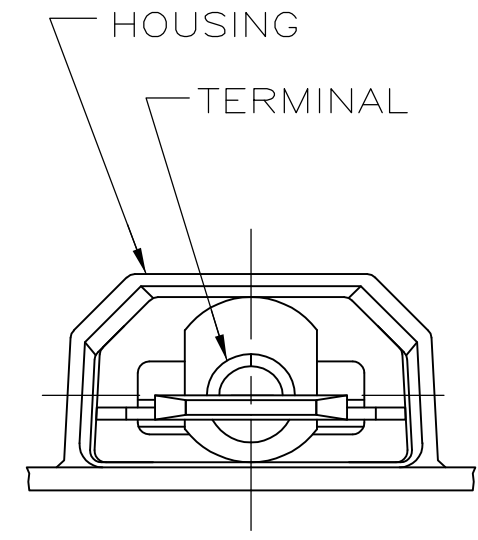


THIS DRAWING IS UNPUBLISHED. RELEASED FOR PUBLICATION  
 © COPYRIGHT - By - ALL RIGHTS RESERVED.

LOC	DIST	REVISIONS			
P	LTR	DESCRIPTION	DATE	DWN	APVD
AF	50	L	REVISED PER ECR-12-005303	18JUL12	KH KR



- 1 TAB DIMENSIONS  $.032^{+.001}_{-.002}$  x .250
- 2 WIRE STRIP LENGTH .281
- 3 INSULATION SIZE .160 MAX DIA
- 4 CONTINUOUS STRIP ON REELS
- (5) DIMENSION DOES NOT INCLUDE TRIM BURR
- (6) .015 MAX CARRIER TRIM BURR PER SIDE IS ALLOWABLE IN THE SHADED AREA



HOUSING: NYLON, COLOR-BLUE TRANSLUCENT	3-520106-2
TAB: #3 HARD BRASS, TIN	
MATERIAL & FINISH	PART NO

THIS DRAWING IS A CONTROLLED DOCUMENT.		DWN P FORTNEY 11/15/88	<b>STE</b> TE Connectivity		
DIMENSIONS: INCHES		CHK MS FEHER 11/30/88			
TOLERANCES UNLESS OTHERWISE SPECIFIED:		APVD KA RANDOLPH 12/14/88	NAME		
0 PLC ± -		PRODUCT SPEC	TAB ASSEMBLY, ULTRA-FAST, .250 SERIES, 16-14 AWG		
1 PLC ± -		108-2017	SIZE CAGE CODE DRAWING NO RESTRICTED TO		
2 PLC ± -		APPLICATION SPEC	A3 00779 C-520106		
3 PLC ± .015		114-2123	SCALE 4:1 SHEET 1 OF 1 REV L		
4 PLC ± -		WEIGHT -			
ANGLES ± -		CUSTOMER DRAWING			
FINISH SEE TABLE					