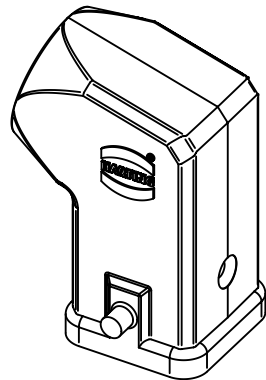
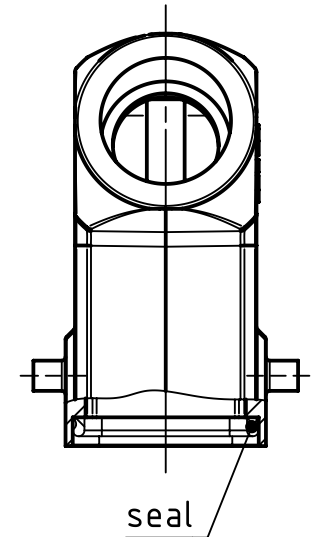
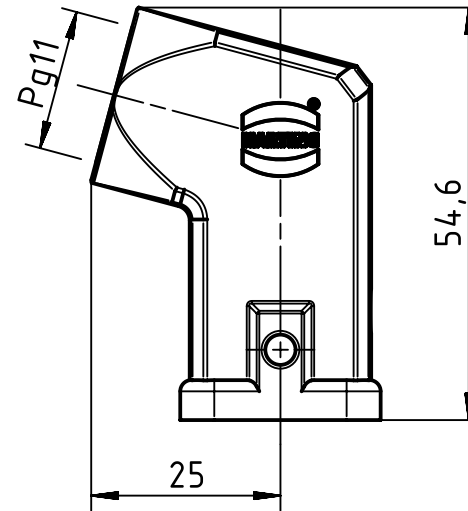
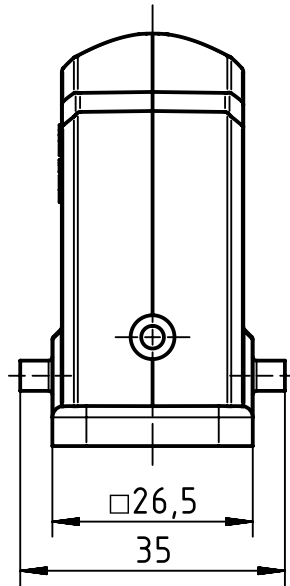
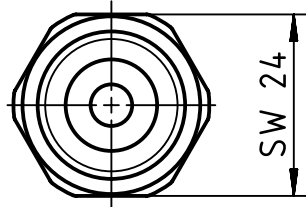
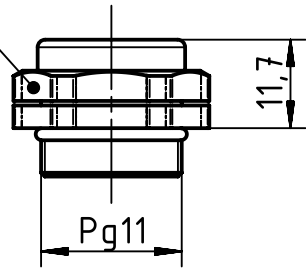


cable entry protection 09000005182  
is in range of delivery



with sealing

	All Dimensions in mm Original Size DIN A4	Scale 1:1		Free size tol.		Ref.	
						Sub.	
	All rights reserved Department EL PD - DE	Created by	Inspected by	Standardisation	Date	State	
		PRIESTER	BERGHORN	TIEMANNA	2014-05-14	Final Release	
HARTING Electric GmbH & Co. KG D-32339 Espelkamp		Title Han A Hood Top Angled Entry PG11 black/				Doc-Key / ECM-Nr. 100087100/UGD/003/A 500000074473	
		Type	Number		Rev.	Page	
		TB	09 20 003 0626		A	1/1	