

THIS DRAWING IS UNPUBLISHED.

RELEASED FOR PUBLICATION

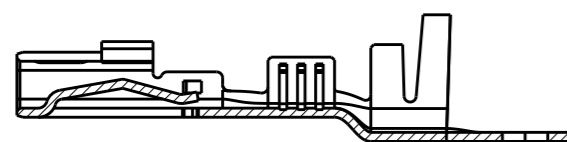
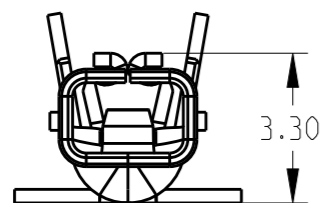
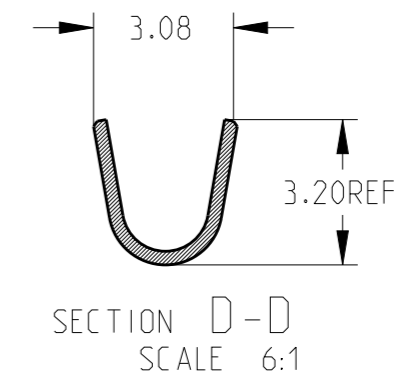
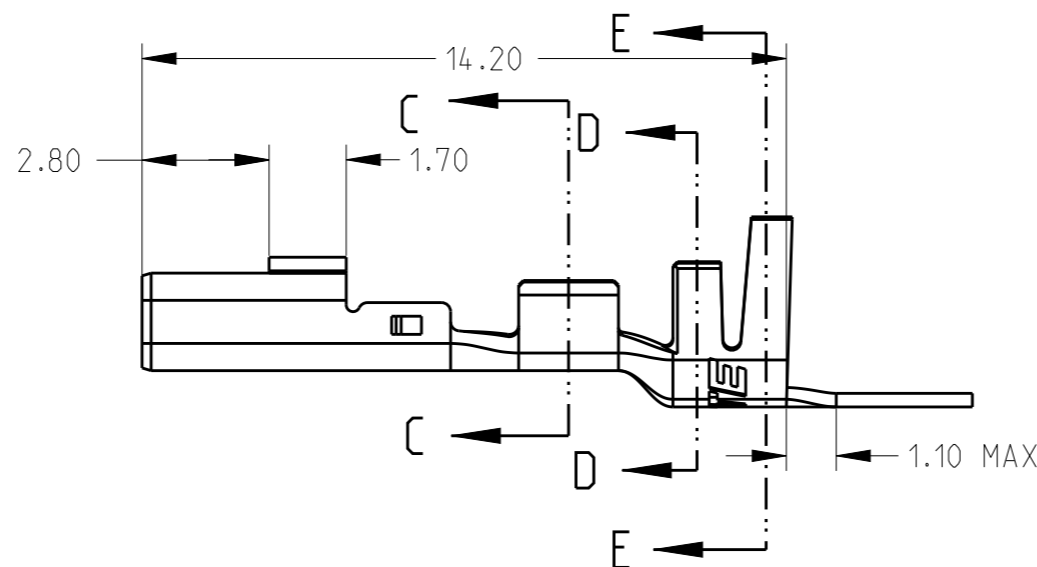
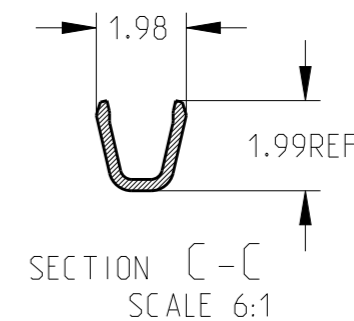
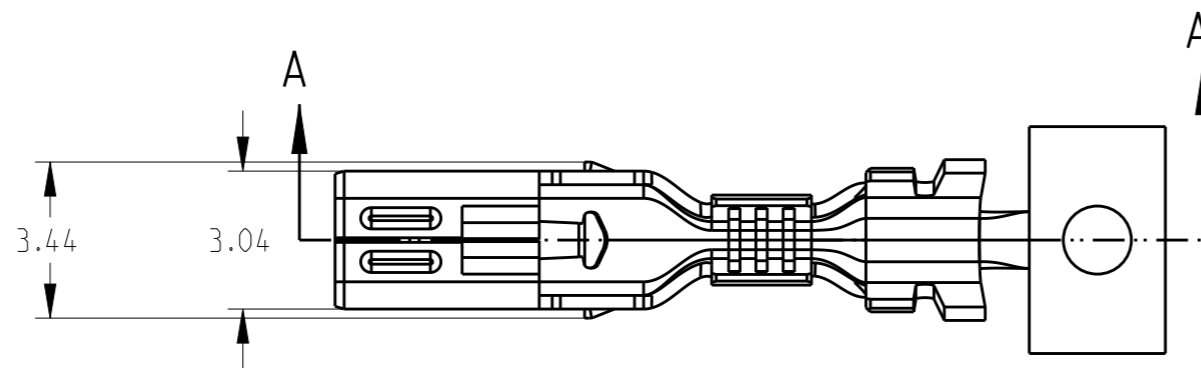
© COPYRIGHT 19 BY -

ALL RIGHTS RESERVED.

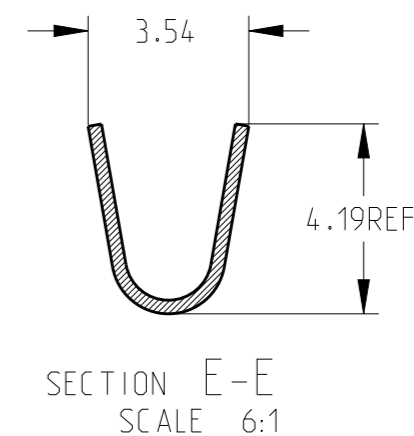
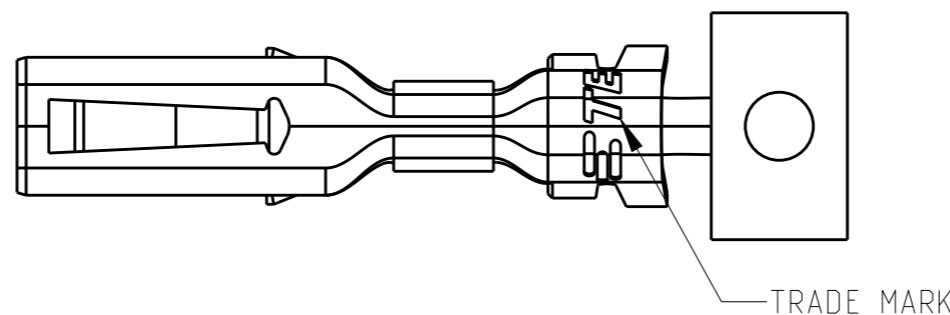
LOC ES DIST 00

REVISIONS

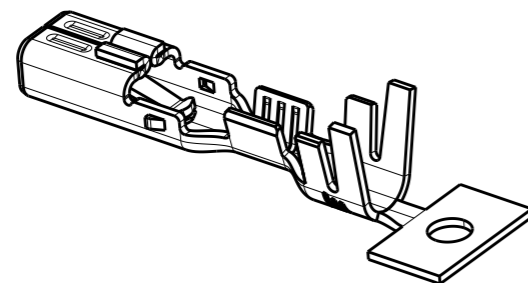
P	LTR	DESCRIPTION	DATE	DWN	APVD
	A1	REVISED PER ECR-17-000612	06FEB17	N.L	D.Z



SECTION A-A




SECTION E-E SCALE 6:1



NOTE:
 1.MATERIAL:COPPER ALLOY,PRE-TINNED
 2.APPLICABLE HOUSING P/N:1983658-*, 1983659-*, 1983660-*

(4000PCS/REEL)*5	3-1983664-1
(5000PCS/REEL)*5	1983664-1
PACKAGE QUANTITY(PCS)	PART NO.

THIS DRAWING IS A CONTROLLED DOCUMENT.		DWN LEO LIU 24AUG2011	 TE Connectivity
DIMENSIONS: mm		CHK WU HAPYE 24AUG2011	
TOLERANCES UNLESS OTHERWISE SPECIFIED:		APVD FRIC KONG 24AUG2011	
0 PLC ±- 1 PLC ±1.0 2 PLC ±0.50 3 PLC ±0.300 4 PLC ±0.2000 ANGLES ±-		PRODUCT SPEC 108-106071	
MATERIAL -		FINISH -	APPLICATION SPEC 114-106071
		WEIGHT -	SIZE A3
		CUSTOMER DRAWING	CAGE CODE -
			DRAWING NO ©=1983664
			RESTRICTED TO -
			SCALE N/A
			SHEET 1 OF 1
			REV A1