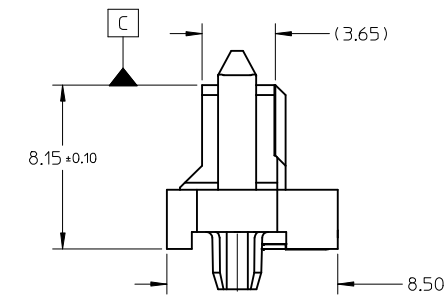
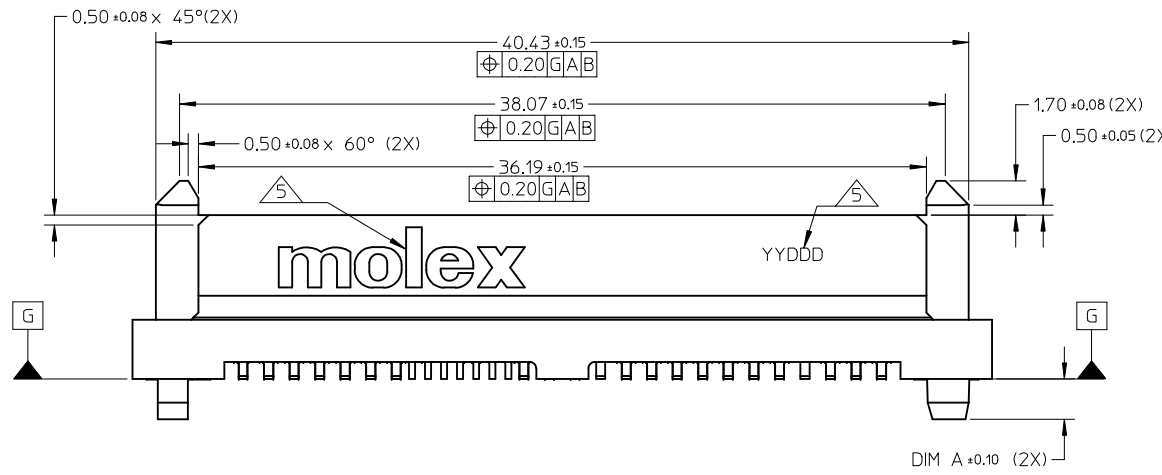
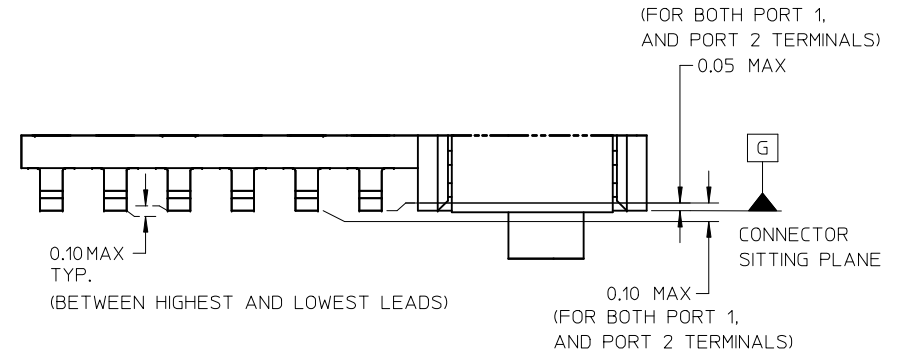
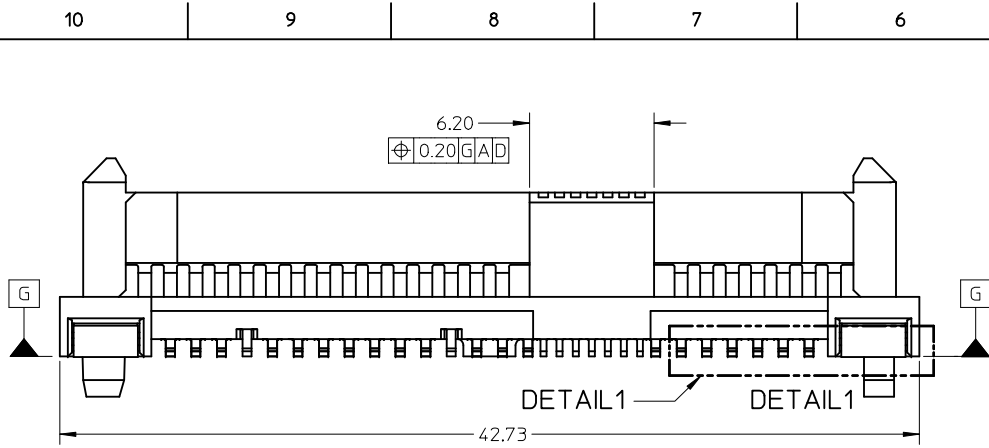


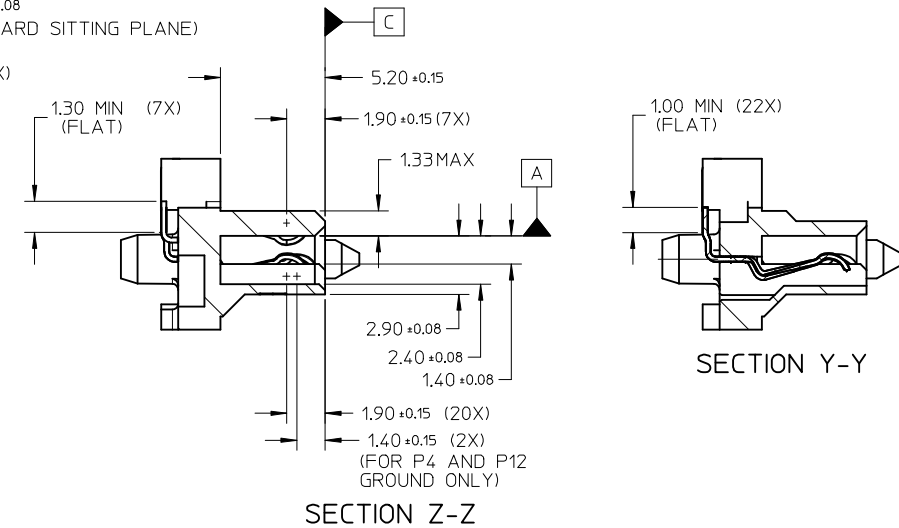
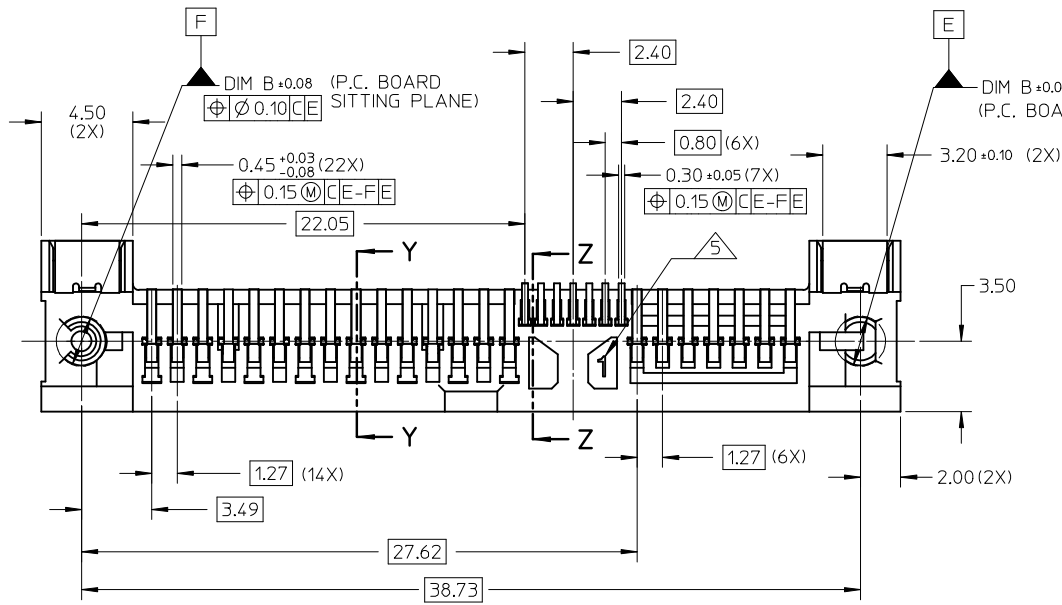
- NOTES:
- MATERIAL: LIQUID CRYSTALLINE POLYMER (LCP), GLASS FILLED
UL 94V-0 COLOR: BLACK
TERMINAL: COPPER ALLOY
 - PLATING:
CONTACT: SEE TABLE IN SHEET 3.
SOLDERTAIL: 2.54μ MIN. TIN OVER 1.27 μm MIN NICKEL UNDERPLATE
SMT CLIP: 2.54μ MIN. TIN OVER 1.27 μm MIN NICKEL UNDERPLATE
 - PRODUCT SPECIFICATION: PS-78715-001
 - PACKAGING SPECIFICATION: SEE TABLE
 - MOLEX LOGO, CAVITY ID AND DATE CODE TO BE LOCATED APPROXIMATELY AS SHOWN.
 - PRODUCT IS COMPLIANT TO RoHS DIRECTIVE WITH THE FOLLOWING BANNED SUBSTANCES - LEAD, MERCURY, CADMIUM, HEXAVALENT CHROMIUM, POLYBROMINATED BIPHENYLS AND POLYBROMINATED DIPHENYL ETHERS.



ADD P/N: 78715-0026 EC NO: S2014-0706 DRWN:SKANG 2014/01/23 CHKD:MLONG 2014/02/25 APPR:BOKOK 2014/02/27	QUALITY SYMBOLS $F_A=0$ $F_G=0$ $F_P=0$	GENERAL TOLERANCES (UNLESS SPECIFIED)		DIMENSION STYLE MM ONLY		SCALE NTS	DESIGN UNITS METRIC	THIRD ANGLE PROJECTION	
			mm	INCH	DRAWN BY	DATE	TITLE		
		4 PLACES	± ---	± ---	CGOH	2012/04/30	SERIAL ATTACH SCSI		
		3 PLACES	± ---	± ---	CHECKED BY	DATE	STD HEIGHT BACKPLANE SMT		
			2 PLACES	± 0.20	± ---	GMENARLY	2012/07/12	RECEPT (SMT SOLDER TAB)	
			1 PLACE	± ---	± ---	APPROVED BY	DATE	molex SERIAL ATTACH SCSI STD HEIGHT BACKPLANE SMT RECEPT (SMT SOLDER TAB)	
			0 PLACE	±	±	BOKOK	2012/07/23		
			ANGULAR ± 3 °		MATERIAL NO.		DOCUMENT NO.		
			DRAFT WHERE APPLICABLE MUST REMAIN WITHIN DIMENSIONS		SEE TABLE		SD-78715-002		
					SIZE	THIS DRAWING CONTAINS INFORMATION THAT IS PROPRIETARY TO MOLEX INCORPORATED AND SHOULD NOT BE USED WITHOUT WRITTEN PERMISSION			
					A3	SHEET NO. 1 OF 4			



DETAIL 1



SECTION Z-Z

SECTION Y-Y

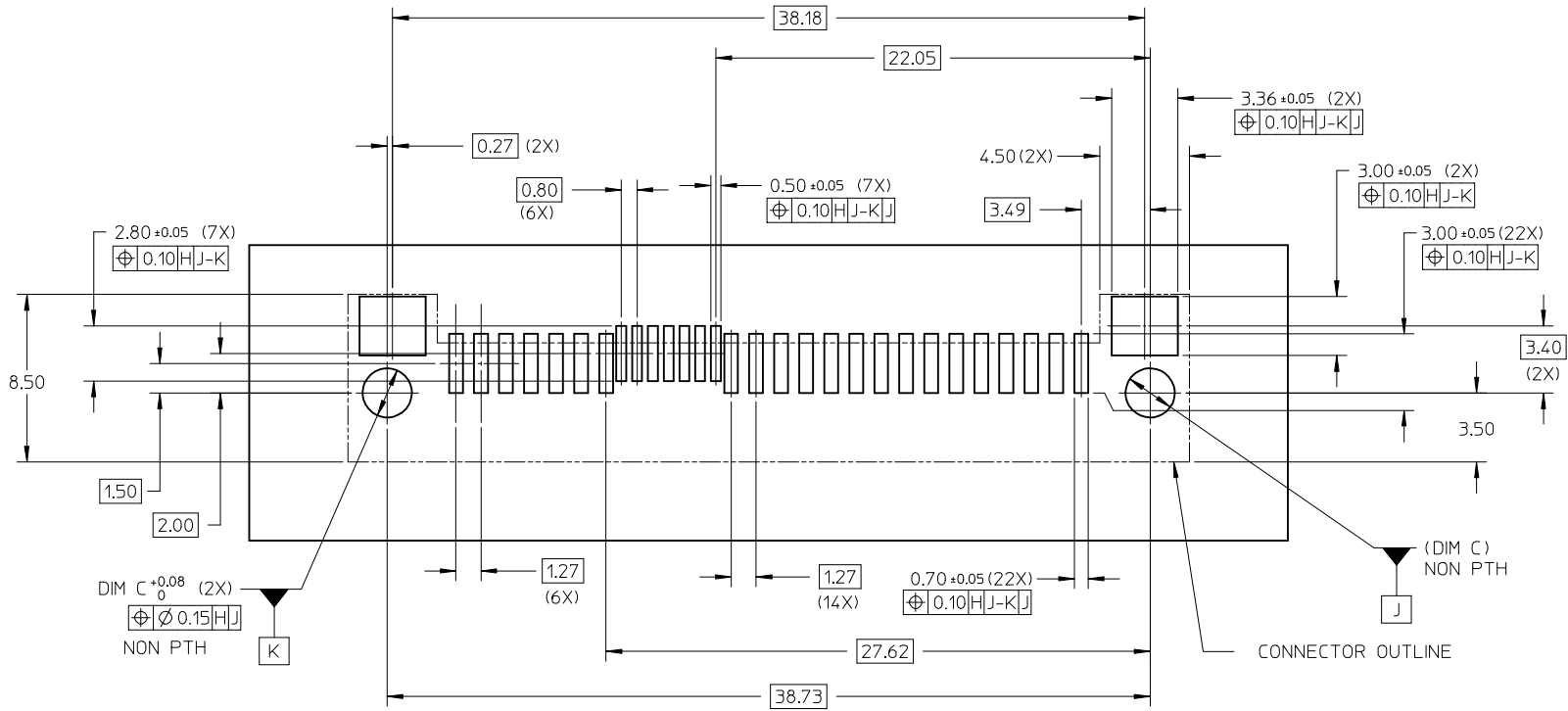
ADD P/N: 78715-0026	EC NO: S2014-0706	DRWNSKANG 2014/01/23	CHKD:HLONG 2014/02/25	APPR: BOKOK 2014/02/27
REV				
DESCRIPTION				

QUALITY SYMBOLS	$\nabla = 0$
	$\nabla = 0$
	$\nabla = 0$

GENERAL TOLERANCES (UNLESS SPECIFIED)	
	mm
4 PLACES	± 0.10
3 PLACES	± 0.15
2 PLACES	± 0.20
1 PLACE	± 0.30
0 PLACE	± 0.50
ANGULAR ± 3°	
DRAFT WHERE APPLICABLE MUST REMAIN WITHIN DIMENSIONS	

DIMENSION STYLE	
MM ONLY	
DRAWN BY	DATE
CGOH	2012/04/30
CHECKED BY	DATE
GMENARLY	2012/07/12
APPROVED BY	DATE
BOKOK	2012/07/23
MATERIAL NO.	
SEE TABLE	

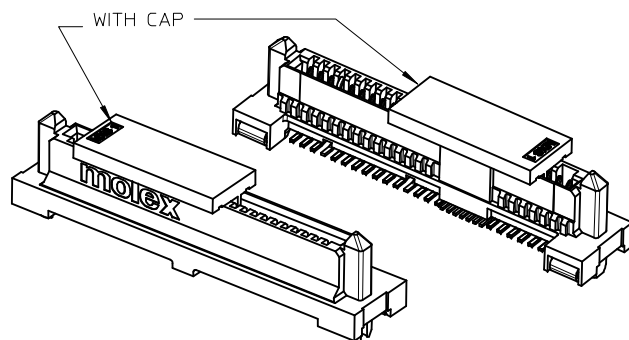
SCALE	DESIGN UNITS	THIRD ANGLE PROJECTION
NTS	METRIC	∇
TITLE		
SERIAL ATTACH SCSI STD HEIGHT BACKPLANE SMT RECEPT (SMT SOLDER TAB)		
molex		
DOCUMENT NO.	SHEET NO.	
SD-78715-002	2 OF 4	



RECOMMENDED PCB LAYOUT
THICKNESS: 2.54±0.10

ADD P/N: 78715-0026 EC NO: S2014-0706 DRWN: SKANG 2014/01/23 CHKD: MLONG 2014/02/25 APPR: BOKOK 2014/02/27	QUALITY SYMBOLS $\nabla_F=0$ $\nabla_E=0$ $\nabla_D=0$	GENERAL TOLERANCES (UNLESS SPECIFIED)		DIMENSION STYLE	SCALE	DESIGN UNITS	THIRD ANGLE PROJECTION	
				MM ONLY	NTS	METRIC		
				DRAWN BY	DATE	TITLE		
				CHECKED BY	DATE	SERIAL ATTACH SCSI STD HEIGHT BACKPLANE SMT RECEPT (SMT SOLDER TAB)		
A4	REV	ANGULAR ± 3°		APPROVED BY	DATE	molex SD-78715-002		
		DRAFT WHERE APPLICABLE MUST REMAIN WITHIN DIMENSIONS		BOKOK	2012/07/23			
				MATERIAL NO.	DOCUMENT NO.			SHEET NO.
				SEE TABLE	SD-78715-002			3 OF 4
		THIS DRAWING CONTAINS INFORMATION THAT IS PROPRIETARY TO MOLEX INCORPORATED AND SHOULD NOT BE USED WITHOUT WRITTEN PERMISSION						

10	9	8	7	6	5	4	3	2	1
PART NO	PACKAGING	QUANTITY	PICK AND PLACE CAP	DIM A	DIM B	DIM C	PACKAGING SPECIFICATION	CONTACT FINISHES	
78715-0005	TAPE AND REEL	250/REEL	YES	2.00	Ø2.45±0.05	Ø2.50	PK-78715-003	0.38µM MIN SELECTIVE GOLD OVER 1.27µM MIN NICKEL UNDERPLATE	
78715-0007									
78715-0026									
78715-0009	TRAY	50/ TRAY	NO	2.00		PK-78715-002	0.76µM MIN SELECTIVE GOLD OVER 1.27µM MIN NICKEL UNDERPLATE		
78715-0010			YES						
78715-0011	TAPE AND REEL	250/REEL		1.00	Ø1.26	Ø1.40	PK-78715-003		



ADD P/N: 78715-0026 EC NO: S2014-0706 DRWN:SKANG 2014/01/23 CHKD:MLONG 2014/02/15 APPR:BOKOK 2014/02/17	DESCRIPTION REV A4	QUALITY SYMBOLS	GENERAL TOLERANCES (UNLESS SPECIFIED)	DIMENSION STYLE	SCALE	DESIGN UNITS	THIRD ANGLE PROJECTION	
		$F_A=0$ $F_G=0$ $F_P=0$	mm INCH 4 PLACES ± --- ± --- 3 PLACES ± --- ± --- 2 PLACES ± 0.20 ± --- 1 PLACE ± --- ± --- 0 PLACE ± ±	MM ONLY	NTS	METRIC	<input checked="" type="checkbox"/> THIRD ANGLE <input type="checkbox"/> PROJECTION	
		ANGULAR ± 3 ° DRAFT WHERE APPLICABLE MUST REMAIN WITHIN DIMENSIONS	DRAWN BY: CGOH DATE: 2012/04/30 CHECKED BY: GMENARLY DATE: 2012/07/12 APPROVED BY: BOKOK DATE: 2012/07/23	TITLE		SERIAL ATTACH SCSI STD HEIGHT BACKPLANE SMT RECEIPT (SMT SOLDER TAB)		
		MATERIAL NO. DOCUMENT NO. SHEET NO.	SEE TABLE		molex SD-78715-002 4 OF 4			
				THIS DRAWING CONTAINS INFORMATION THAT IS PROPRIETARY TO MOLEX INCORPORATED AND SHOULD NOT BE USED WITHOUT WRITTEN PERMISSION				