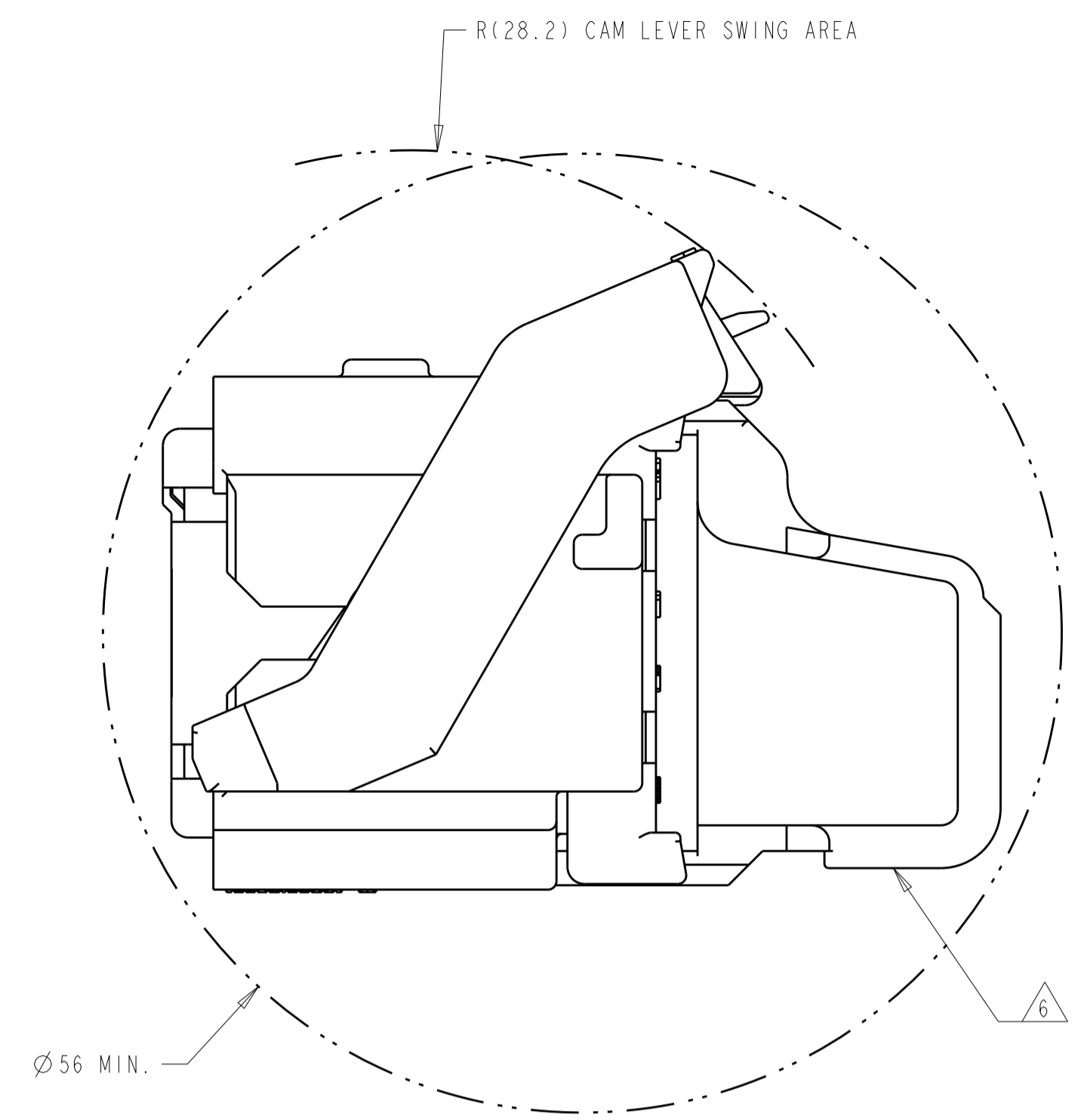
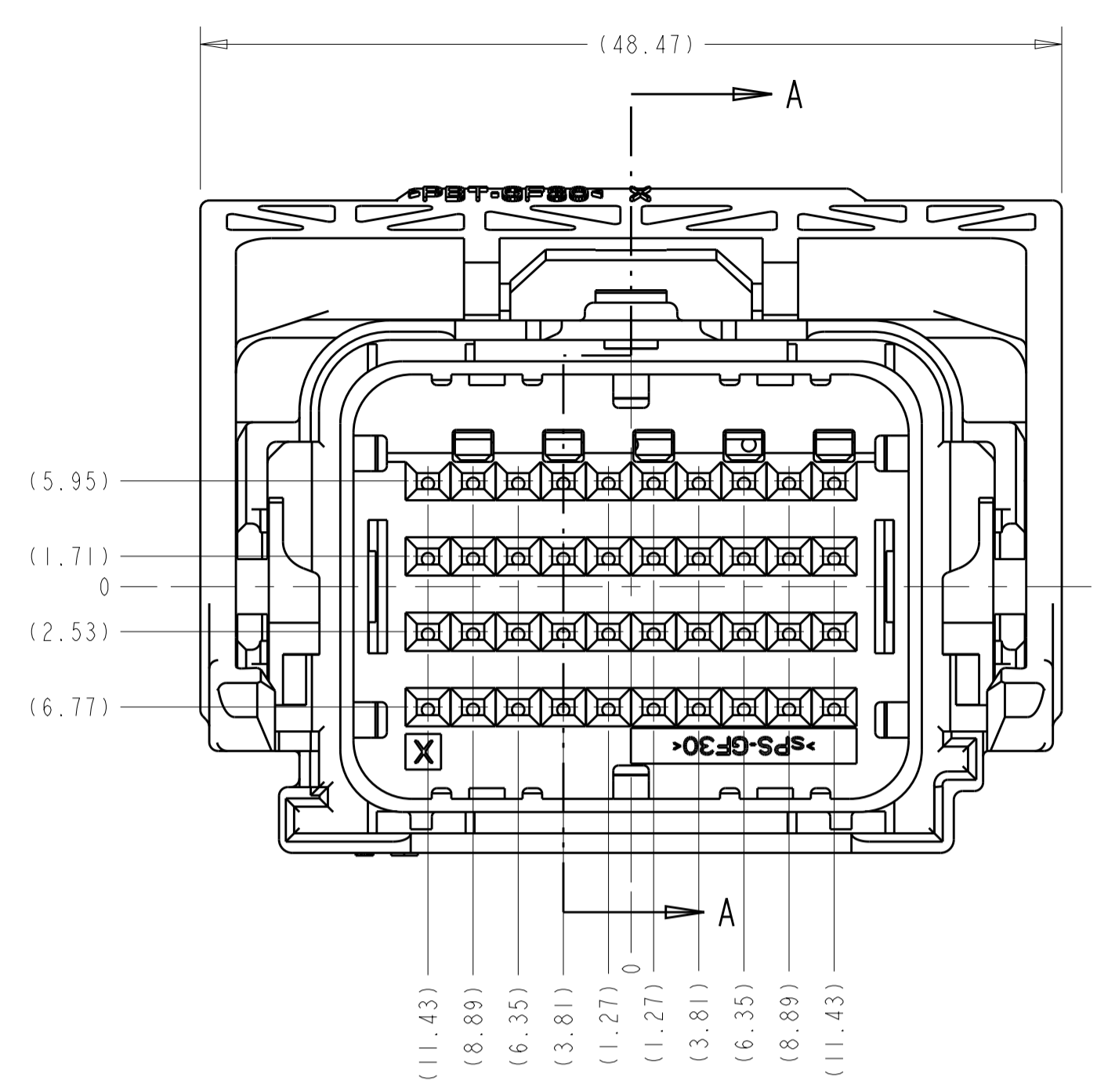
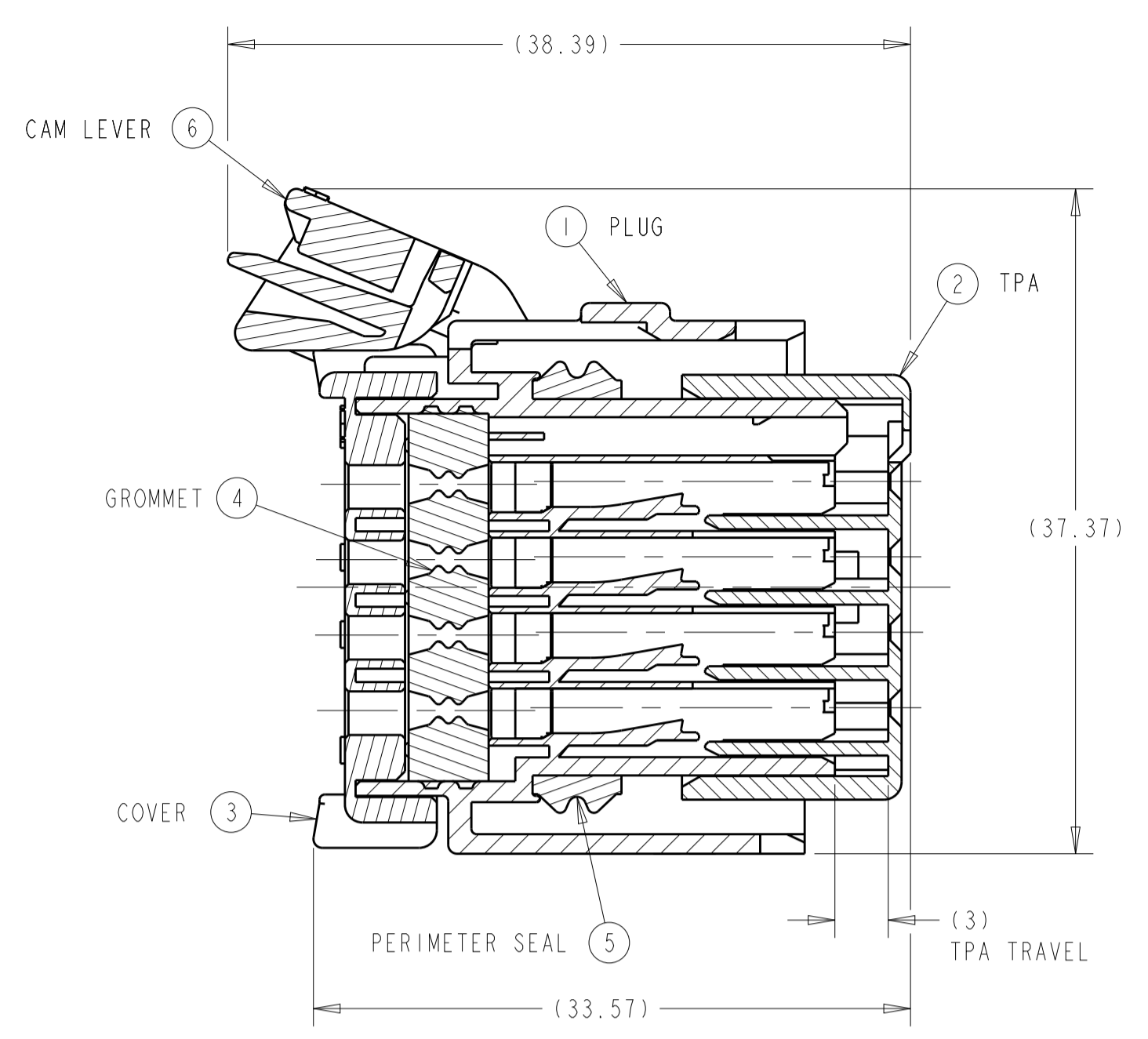
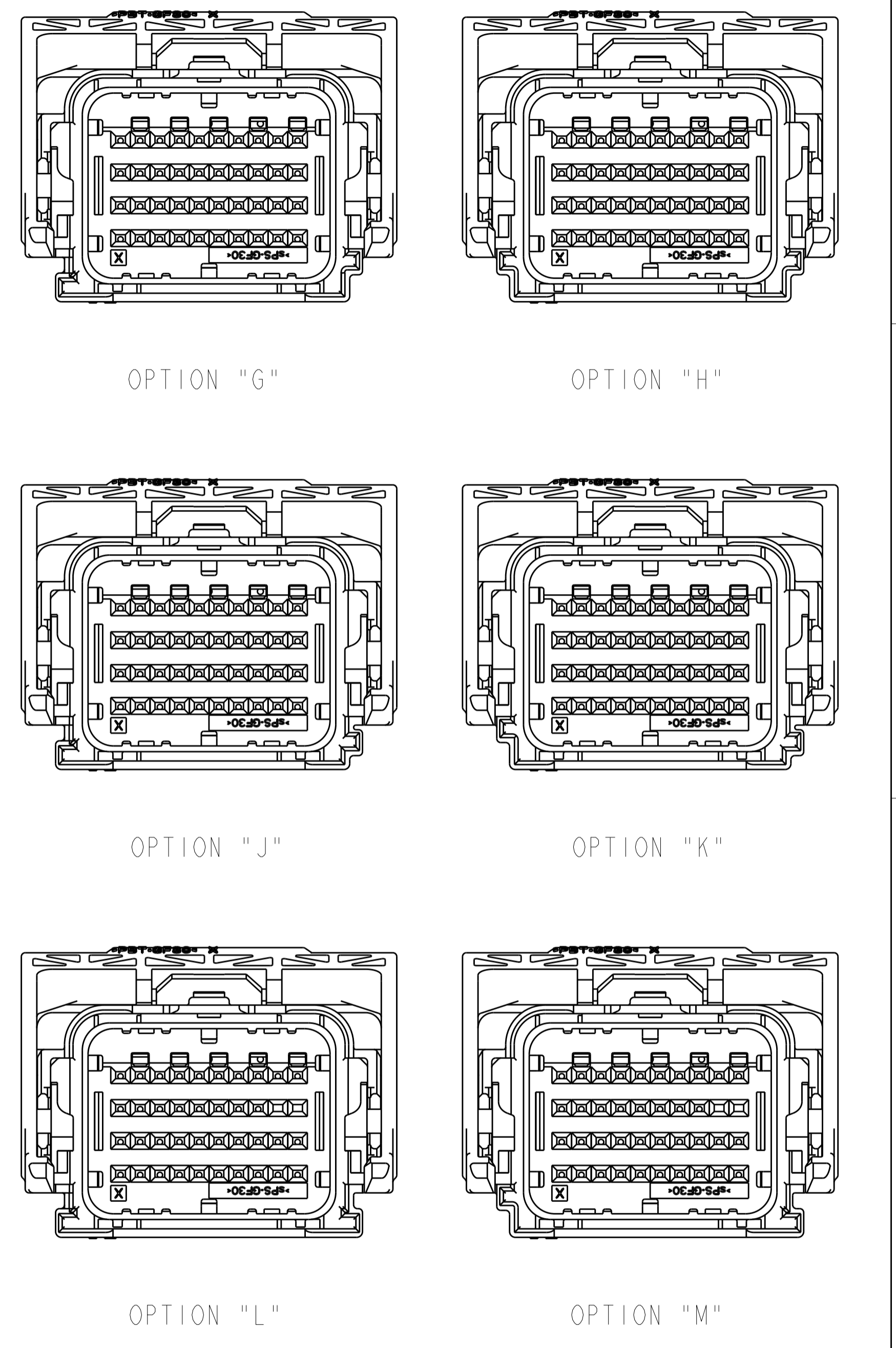


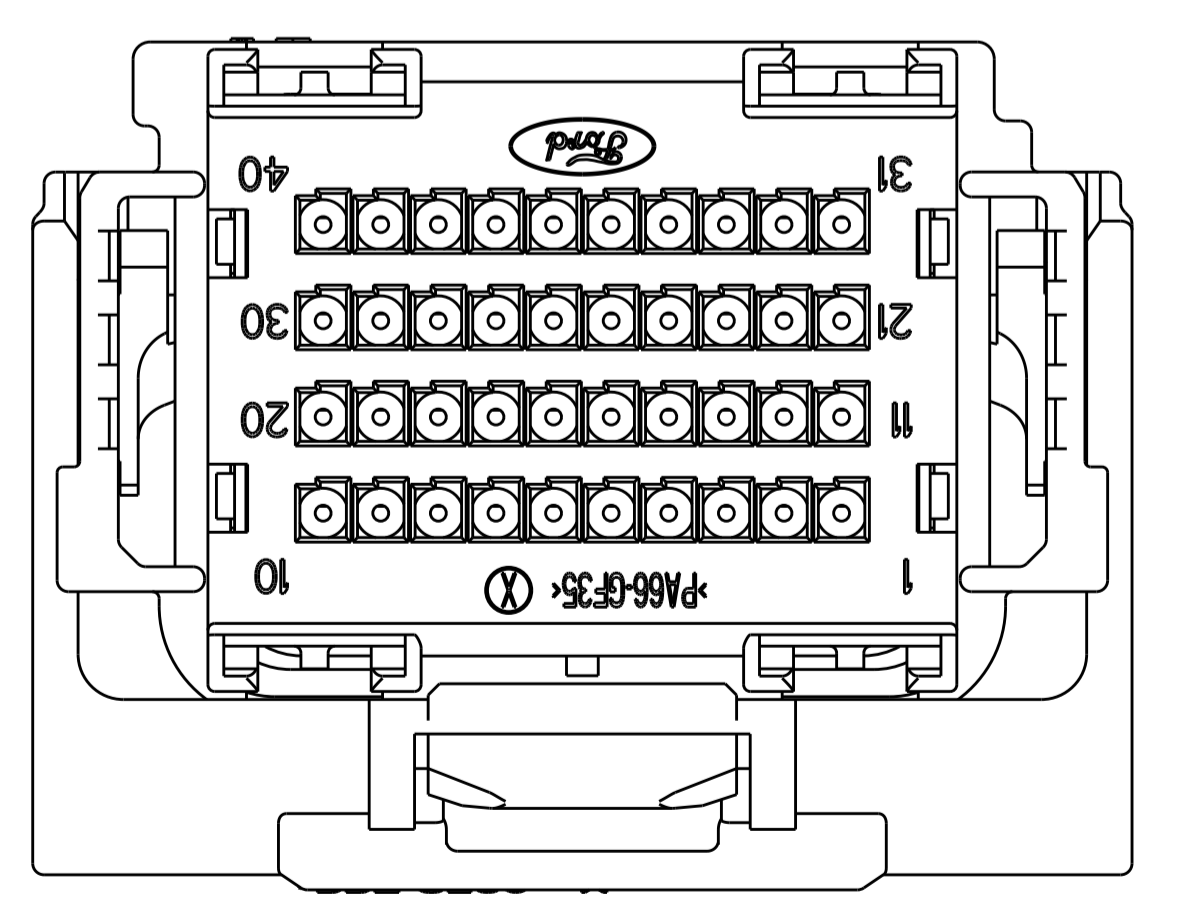
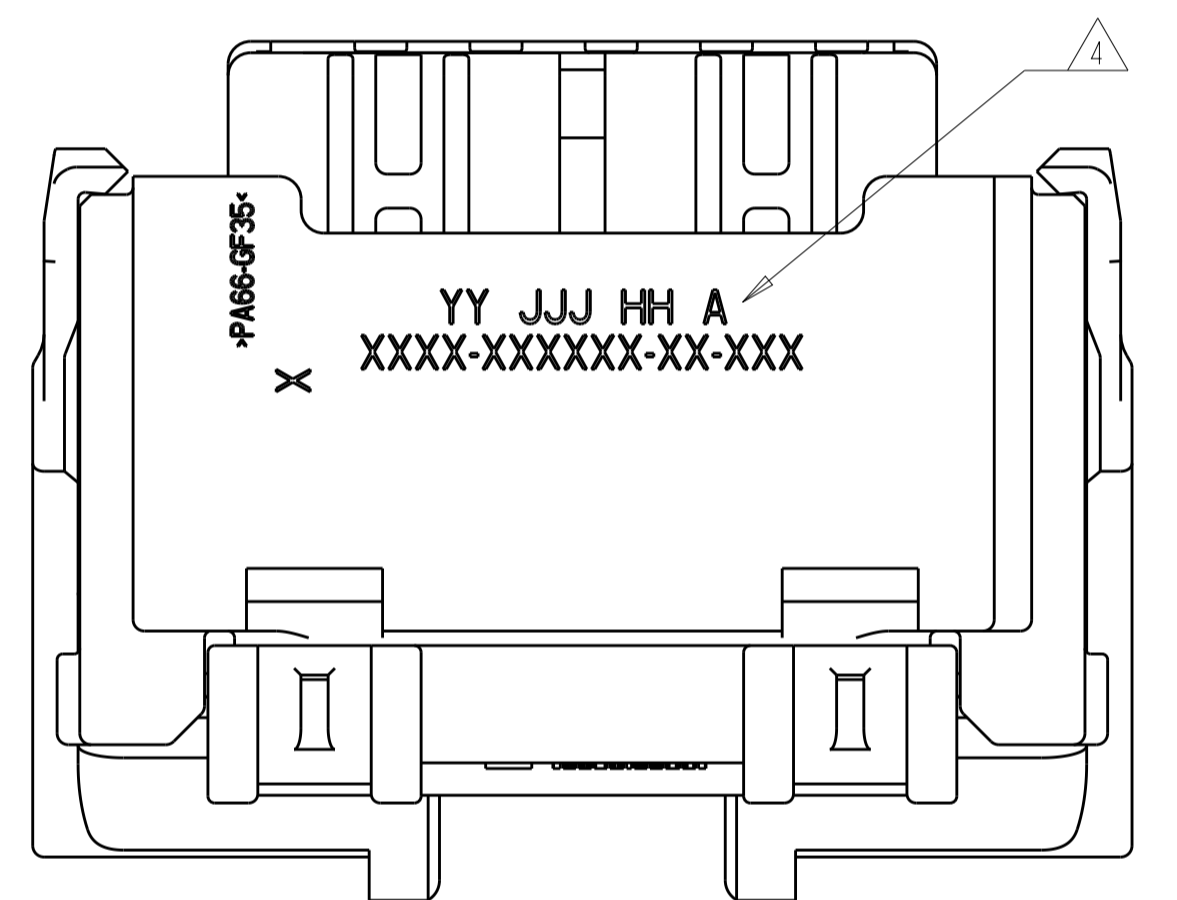
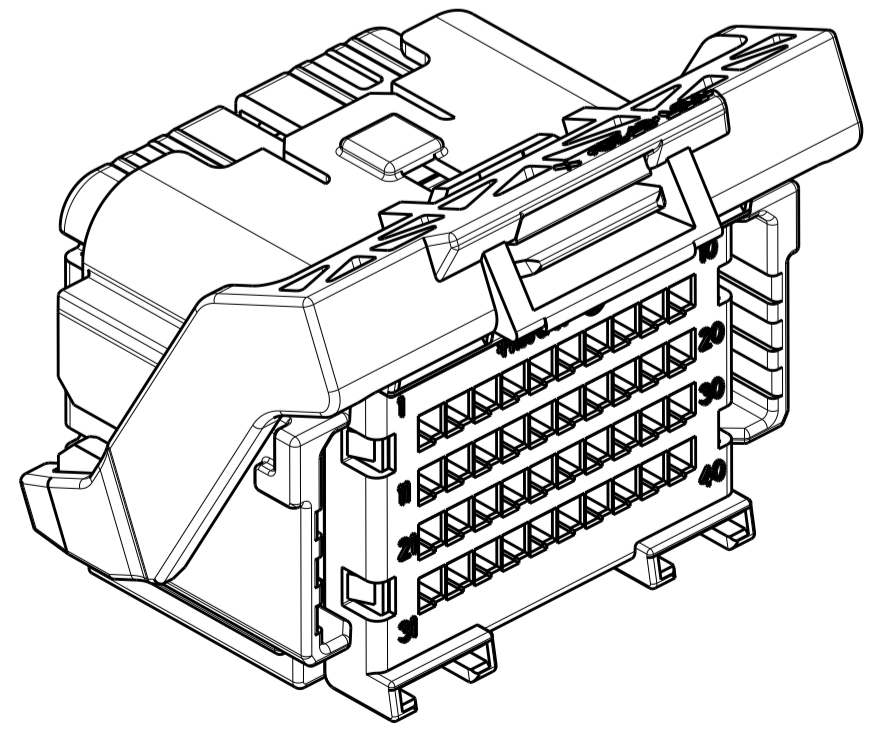
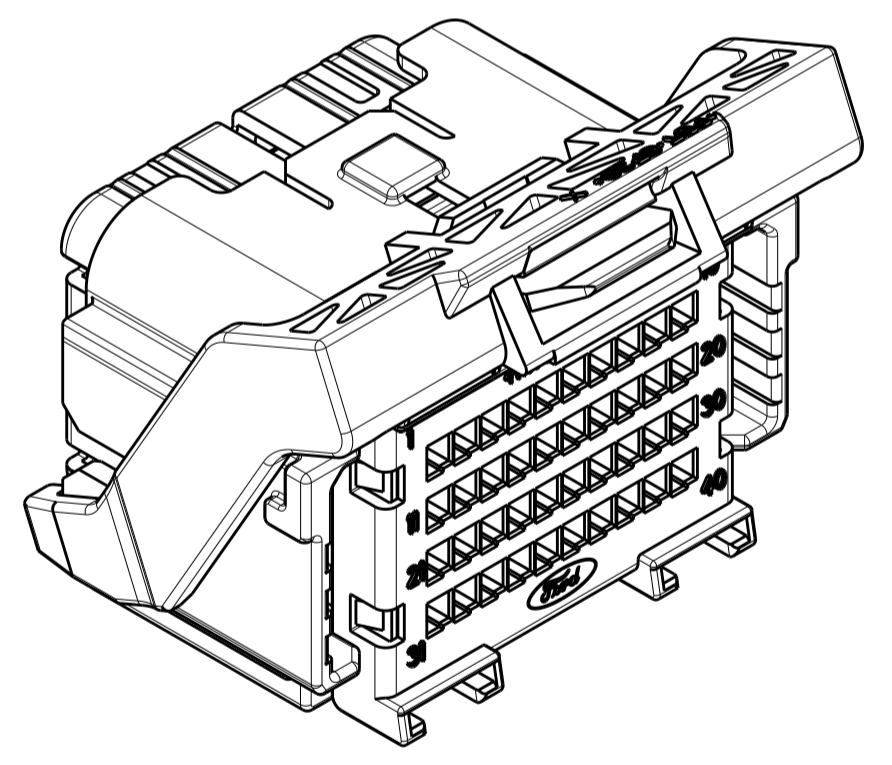
REVISIONS				
P.	LTN	DESCRIPTION	DATE	OWN APVD
CE		REVISED PER ECO-15-012629	01SEP2015	DLD WTW



KEYING OPTIONS
SCALE 2:1



MINIMUM FEED THROUGH CONDITION
WITH 1mm CLEARANCE ALL AROUND
SHOWN WITH OPTION WIRESHIELD
TPA IS IN IT'S LOADED POSITION
CAM LEVER IS IN IT'S PRE-LOADED POSITION



- APPLICABLE TERMINAL PART NUMBERS (SOLD SEPARATELY):
FOR TIN APPLICATIONS: 1393367 AND 1393366.
FOR GOLD APPLICATIONS: 1393365 AND 1393364.
FOR TERMINATION AND REELING OPTIONS
SEE DRAWINGS 1393367, 1393366, 1393365, AND 1393364.
- COMPATIBLE WIRE SIZES FOR MAT SEAL DESIGN 1.19 TO 2.06 O.D.
(22-18 AWG, 0.35-0.75 mm²)
- TPA AND CAM LEVER ARE SHIPPED IN THEIR PRE-LOADED POSITION.
ALL ASSEMBLIES ARE TO BE TRAY PACKAGED.
- CUSTOMER PART NUMBER AND TRACEABILITY CODE (YY = TWO DIGIT YEAR,
JJJ = JULIAN DAY, HH = TWO DIGIT MILITARY HOUR, A = ASSEMBLY PROCESS
USED) ARE PRINTED IN THIS LOCATION.
- PART ASSEMBLY WEIGHT WITHOUT TERMINALS AND WITH STANDARD PIN-OUT
CONFIGURATION IS 24.71 GRAMS.
- OPTIONAL WIRESHIELD P/N 8-1419157-8 (SOLD SEPARATELY). PLEASE CONTACT
YOUR TE SALES REPRESENTATIVE FOR AVAILABILITY AND PRICING.

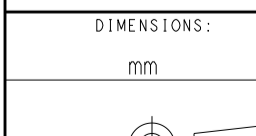
THIS DRAWING IS A CONTROLLED DOCUMENT.		OWN: M. FORLSKA 19APR2002	TE Connectivity NAME: 40 WAY ARM, PLUG ASSEMBLY WITHOUT SHORTING BARS, CUSTOMER SPEC.
DIMENSIONS: mm		CHK: M. FORLSKA 19APR2002	
TOLERANCES UNLESS OTHERWISE SPECIFIED:		APVD: A. VALASEK 19APR2002	SIZE: A1
0 PLC ±	1 PLC ±0.3	PRODUCT SPEC	CAGE CODE: 00779
2 PLC ±0.10	3 PLC ±	APPLICATION SPEC	DRAWING NO: 8-1419157-7
4 PLC ±	ANGLES ±	WEIGHT: SEE NOTE 5	SCALE: 3:1
MATERIAL: SEE CHART ON SHEET 2	FINISH: -	CUSTOMER DRAWING	SHEET 1 OF 5

REVISIONS				
P.	LTN	DESCRIPTION	DATE	OWN APVD
-	-	SEE SHEET 1	-	-

ASSEMBLY PART NUMBERS										ITEM	DESCRIPTION	MATERIAL	FINISH/COLOR	
											6	CAM LEVER	PBT 30% GF	GRAY
											6	CAM LEVER WITH MODIFIED TAB	PA66 35% GF	GRAY
											6	CAM LEVER WITH MODIFIED TAB	PBT 30% GF	GRAY
											5	PERIMETER SEAL	SILICONE	GREEN
											4	GROMMET	SILICONE	BROWN
											3	COVER	PA66 35% GF	BLACK
											2	TPA FOR NON-SHORTING BAR APPLICATIONS	sPS 30% GF	NATURAL
											2	TPA FOR NON-SHORTING BAR APPLICATIONS	sPS 30% GF	RED
											1	PLUG WITH KEYING OPTION "K" AND 5 SHORTING BAR POSITIONS CONFIGURATION	PA66 35% GF	BLACK
											1	PLUG WITH KEYING OPTION "L" AND 5 SHORTING BAR POSITIONS CONFIGURATION	PA66 35% GF	BLACK
											1	PLUG WITH KEYING OPTION "J" AND 5 SHORTING BAR POSITIONS CONFIGURATION	PA66 35% GF	BLACK
											1	PLUG WITH KEYING OPTION "H" AND 5 SHORTING BAR POSITIONS CONFIGURATION	PA66 35% GF	BLACK
											1	PLUG WITH KEYING OPTION "G" AND 5 SHORTING BAR POSITIONS CONFIGURATION	PA66 35% GF	BLACK

ASSEMBLY PART NUMBERS										ITEM	DESCRIPTION	MATERIAL	FINISH/COLOR	
											6	CAM LEVER	PBT 30% GF	GRAY
											6	CAM LEVER WITH MODIFIED TAB	PA66 35% GF	GRAY
											6	CAM LEVER WITH MODIFIED TAB	PBT 30% GF	GRAY
											5	PERIMETER SEAL	SILICONE	GREEN
											4	GROMMET	SILICONE	BROWN
											3	COVER	PA66 35% GF	BLACK
											2	TPA FOR NON-SHORTING BAR APPLICATIONS	sPS 30% GF	NATURAL
											2	TPA FOR NON-SHORTING BAR APPLICATIONS	sPS 30% GF	RED
											1	PLUG WITH KEYING OPTION "K" AND 5 SHORTING BAR POSITIONS CONFIGURATION	PA66 35% GF	BLACK
											1	PLUG WITH KEYING OPTION "L" AND 5 SHORTING BAR POSITIONS CONFIGURATION	PA66 35% GF	BLACK
											1	PLUG WITH KEYING OPTION "J" AND 5 SHORTING BAR POSITIONS CONFIGURATION	PA66 35% GF	BLACK
											1	PLUG WITH KEYING OPTION "H" AND 5 SHORTING BAR POSITIONS CONFIGURATION	PA66 35% GF	BLACK
											1	PLUG WITH KEYING OPTION "G" AND 5 SHORTING BAR POSITIONS CONFIGURATION	PA66 35% GF	BLACK

ASSEMBLY PART NUMBERS										ITEM	DESCRIPTION	MATERIAL	FINISH/COLOR	
											6	CAM LEVER	PBT 30% GF	GRAY
											6	CAM LEVER WITH MODIFIED TAB	PA66 35% GF	GRAY
											6	CAM LEVER WITH MODIFIED TAB	PBT 30% GF	GRAY
											5	PERIMETER SEAL	SILICONE	GREEN
											4	GROMMET	SILICONE	BROWN
											3	COVER	PA66 35% GF	BLACK
											2	TPA FOR NON-SHORTING BAR APPLICATIONS	sPS 30% GF	NATURAL
											2	TPA FOR NON-SHORTING BAR APPLICATIONS	sPS 30% GF	RED
											1	PLUG WITH KEYING OPTION "K" AND 5 SHORTING BAR POSITIONS CONFIGURATION	PA66 35% GF	BLACK
											1	PLUG WITH KEYING OPTION "L" AND 5 SHORTING BAR POSITIONS CONFIGURATION	PA66 35% GF	BLACK
											1	PLUG WITH KEYING OPTION "J" AND 5 SHORTING BAR POSITIONS CONFIGURATION	PA66 35% GF	BLACK
											1	PLUG WITH KEYING OPTION "H" AND 5 SHORTING BAR POSITIONS CONFIGURATION	PA66 35% GF	BLACK
											1	PLUG WITH KEYING OPTION "G" AND 5 SHORTING BAR POSITIONS CONFIGURATION	PA66 35% GF	BLACK

THIS DRAWING IS A CONTROLLED DOCUMENT. DIMENSIONS: mm 		TOLERANCES UNLESS OTHERWISE SPECIFIED: 0 PLC ±0.3 1 PLC ±0.10 2 PLC ±0.10 3 PLC ±0.10 4 PLC ±0.10 ANGLES ±0.5°		DWG: M. FORLSKA 19APR2002 CHK: M. FORLSKA 19APR2002 APVD: A. VALASEK 19APR2002 PRODUCT SPEC: - APPLICATION SPEC: - WEIGHT: SEE NOTE 5 CUSTOMER DRAWING: -		NAME: 40 WAY ARM, PLUG ASSEMBLY WITHOUT SHORTING BARS, CUSTOMER SPEC. SIZE: A1 CAGE CODE: 00779 DRAWING NO: 8-1419157-7 SCALE: 3:1 SHEET: 2 OF 5 REV: CE	
---	--	--	--	---	--	--	--


THIS DRAWING IS UNPUBLISHED. RELEASED FOR PUBLICATION 20
 © COPYRIGHT 20 BY - ALL RIGHTS RESERVED.

REVISIONS				
P.	LTN	DESCRIPTION	DATE	APVD
-		SEE SHEET 1	-	-

PIN-OUT CHART

TERMINAL HOLE POSITION	ASSEMBLY PART NUMBER	PLUG KEYING OPTION
26 27 28	5-1924513-1	KEY "J"
26 27	5-1924513-0	KEY "J"
28	4-1924513-9	KEY "J"
33 34		
33 34		
33	2138987-2	KEY "G"
35 36 37 38 39	2138987-1	KEY "G"
1 2 3 4 5 6 7 8 9 10 11 12 13 14 15 16 17 18 19 20 21 22 23 24 25 26 27 28 29 30 31 32 33 34 35 36 37 38 39 40		

CAVITIES WITH A NUMERIC SYMBOL INDICATE CLOSED TERMINAL HOLE POSITIONS
 BLANK CAVITIES INDICATE OPEN TERMINAL HOLE POSITIONS

THIS DRAWING IS A CONTROLLED DOCUMENT.		DWN M. FORLSKA 19APR2002 CHK M. FORLSKA 19APR2002 APVD A. VALASEK 19APR2002	STE TE Connectivity NAME 40 WAY ARM, PLUG ASSEMBLY WITHOUT SHORTING BARS, CUSTOMER SPEC.
DIMENSIONS: mm 	TOLERANCES UNLESS OTHERWISE SPECIFIED: 0 PLC ± 1 PLC ±0.3 2 PLC ±0.10 3 PLC ± 4 PLC ± ANGLES ±3° FINISH -	PRODUCT SPEC APPLICATION SPEC WEIGHT - CUSTOMER DRAWING	SIZE A1 CAGE CODE 00779 DRAWING NO. C=8-1419157-7 RESTRICTED TO - SCALE 3:1 SHEET 5 OF 5 REV CE