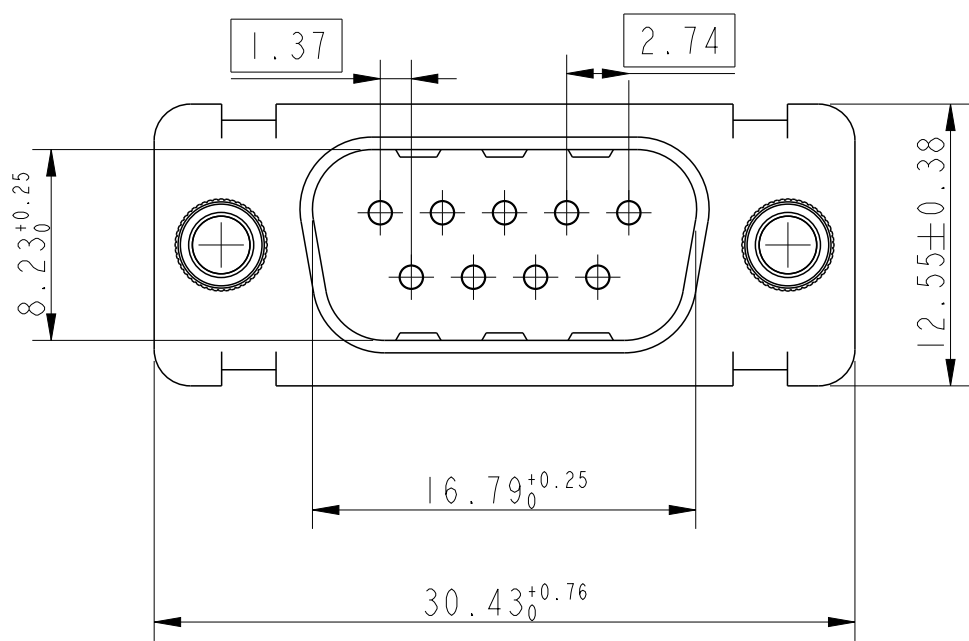
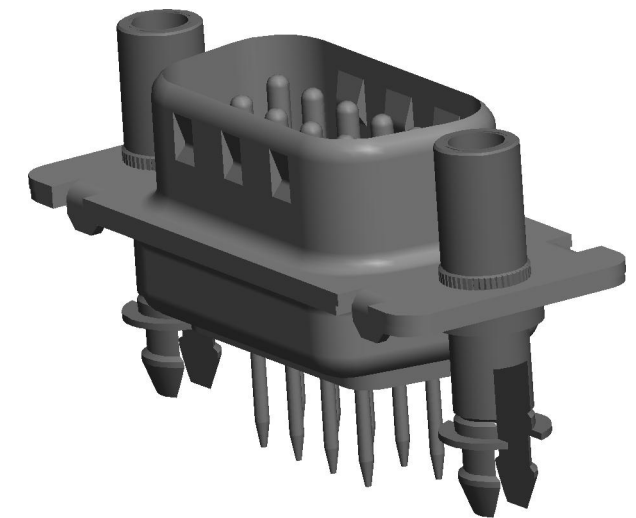
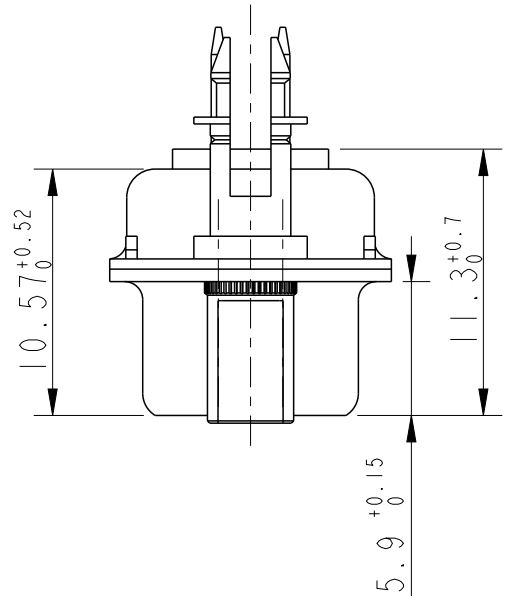
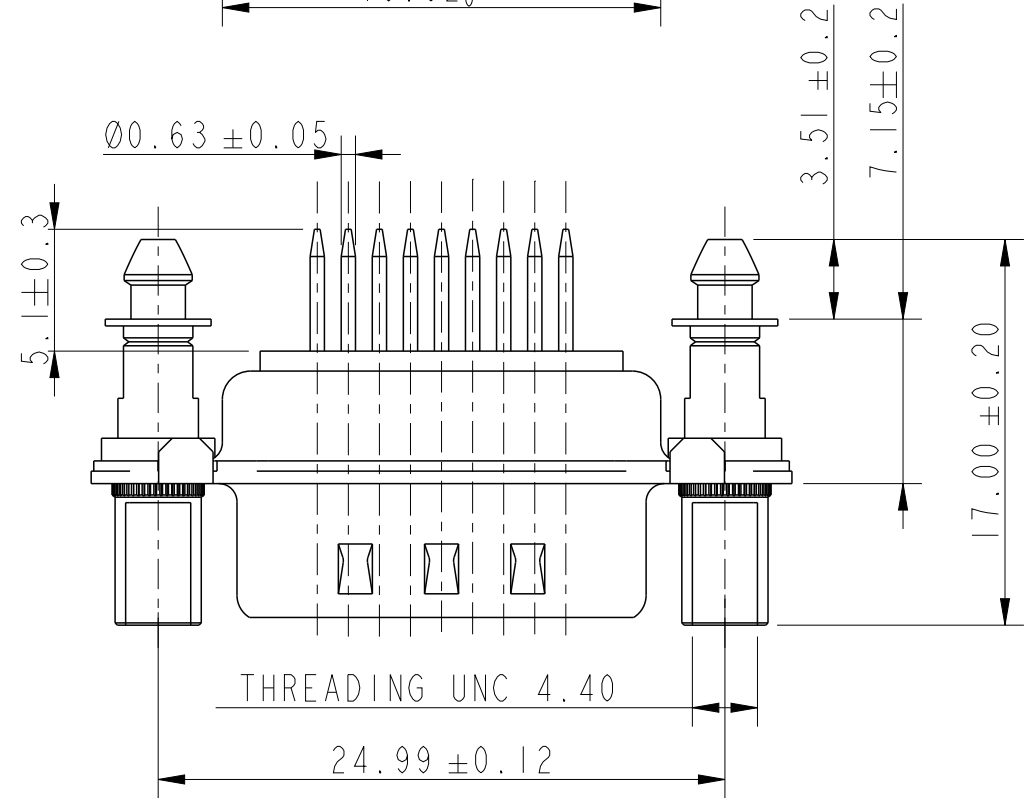
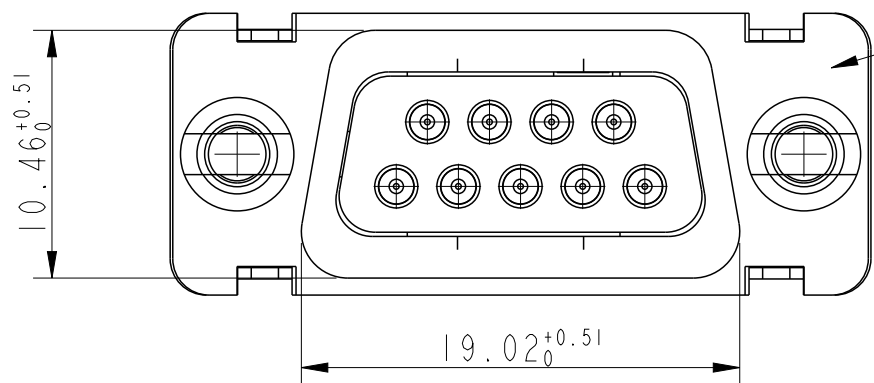


P/N DEM09P343SP284LF

TIN PLATED



spec ref		dr	A Parrenin	2013/06/21	projection	mm	size	A3	scale	3:1
tolerance std		eng	A Parrenin	2014/05/27			ecn no		ELX-B-17798-1	
ISO 406 ISO 1101		chr	Laurent Mulin	2014/05/27			rel level		Released	
surface		appr	Gert Drosbeke	2014/05/27	product family		rel level		Released	
ISO 1302				title PIN CONNECTOR WITH STRAIGHT CONTACTS AND HARPONS		dwg no C01-8637-1777		rev C		
linear 0.X ±0.3 0.XX ±0.1 0.XXX ±0.05 angular 0° ±2°		www.fci.com		cat. no.		Product - Customer Drw		sheet 1 of 2		



Copyright FCI.

PHYSICAL CHARACTERISTICS

- INSULATOR MATERIAL : THERMOPLASTIC UL94V0
- CONTACT MATERIAL : PHOSPOR BRONZE
GOLD OVER NICKEL
- SHELLS : STEEL, Sn PURE BRIGHT PLATING
- HARPOONS : BRASS, Sn PURE BRIGHT PLATING

ELECTRICAL & ENVIRONMENTAL CHARACTERISTICS

- NOMINAL CURRENT : 7.5A
- CONTACT RESISTANCE : $\leq 7.3m\Omega$
- CONTACT/CONTACT : $\geq 1000V$
- CONTACT/GROUND : $\geq 1200V$
- INSULATION RESISTANCE : $\geq 5000M\Omega$
- OPERATING RANGE : $-55^{\circ}C$ to $125^{\circ}C$
- DAMP HEAT : 21 DAYS
- SALT SPRAY : 24 HOURS

MECHANICAL CHARACTERISTICS

- 500 MATINGS/UNMATINGS
- HARPOONS DESIGNED FOR 1.6mm PCB THICKNESS

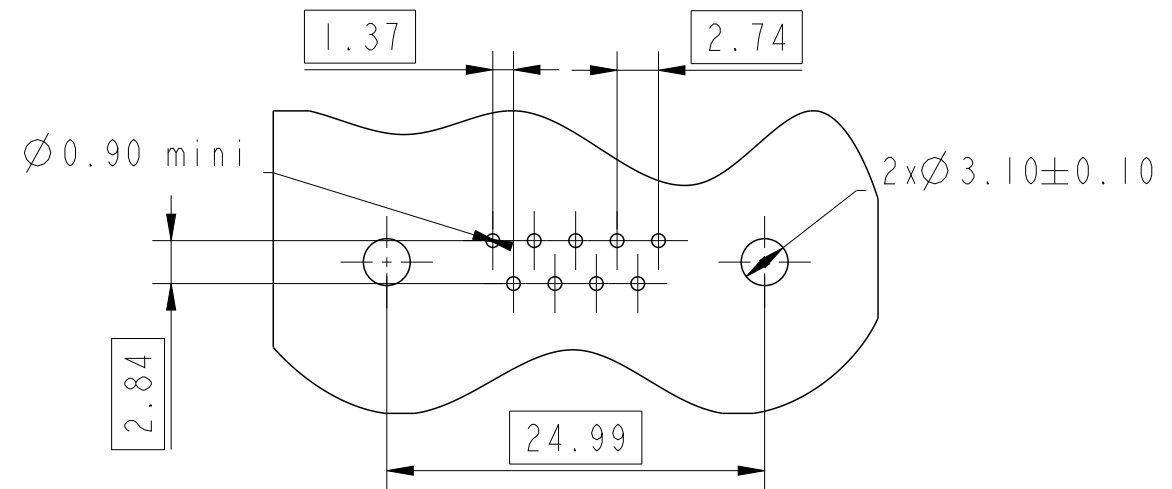
MECHANICAL CHARACTERISTICS FOR ACCESSORY

- RETENTION AGAINST TORQUE : -THREADED INSERT 0.7 N.m min

NOTES APPLICATION & RoHS INFORMATION

- THE "LF" PRODUCT MEETS EUROPEAN UNION DIRECTIVES AND OTHER COUNTRY REGULATIONS AS DESCRIBED IN GS-47-0004
- THE HOUSING WILL WHISTAND EXPOSURE TO $260^{\circ}C$ PEAK TEMPERATURE FOR 3.5 SECONDS IN A WAVE SOLDERING PROCESS
- GLOBAL PACKAGING SPECIFICATION : GS-14-920

PCB LAYOUT



Copyright FCI.

spec ref		dr	A Parrenin	2013/06/21	projection	mm	size	A3	scale	3:1		
tolerance std		eng	A Parrenin	2014/05/27			ecn no		ELX-B-17798-1			
/ ISO 1101		chr	Laurent Mulin	2014/05/27			rel level		Released			
TOLERANCES UNLESS OTHERWISE SPECIFIED		appr	Gert Drosbeke	2014/05/27	product family							
surface		linear	0.X	± 0.3		title		PIN CONNECTOR		dwg no C01-8637-1777	rev	C
				0.XX		± 0.1	WITH STRAIGHT CONTACTS AND HARPONS					
				0.XXX		± 0.05						
ISO 1302		angular	0°	$\pm 2^{\circ}$	www.fci.com	cat. no.	Product - Customer Drw		sheet 2 of 2			