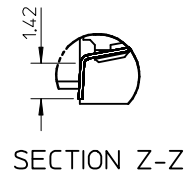
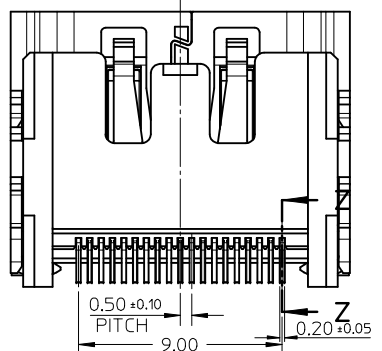
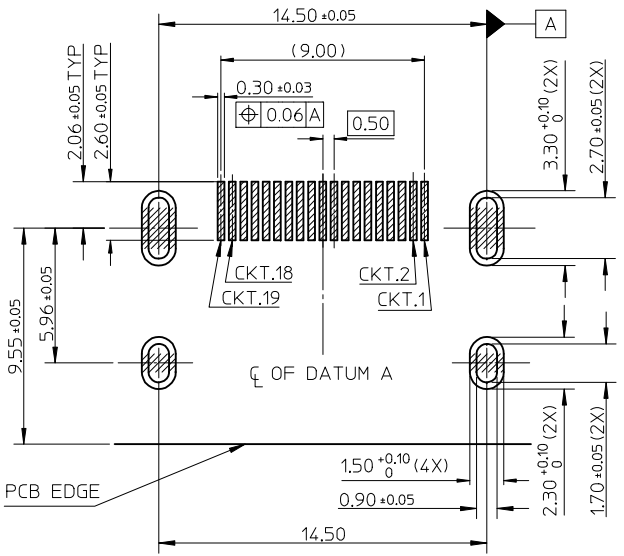
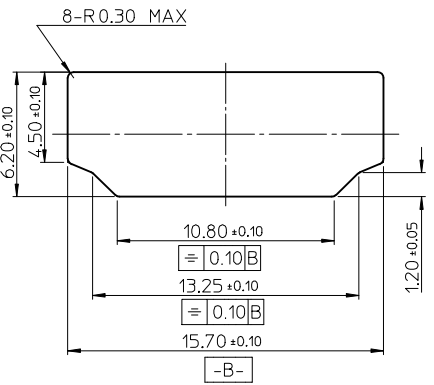
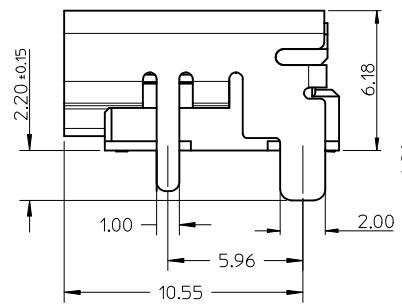
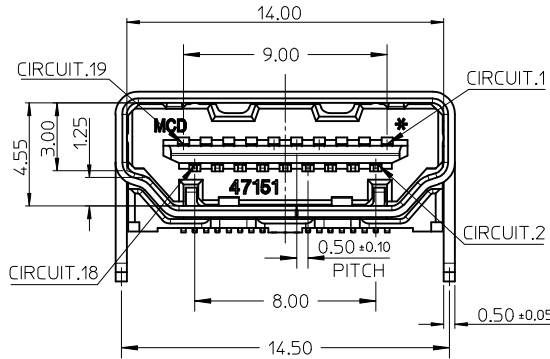


- NOTES:
1. MATERIAL:
HOUSING: HIGH TEMPERATURE THERMAL PLASTIC, GLASS-FILLED, UL 94V-0, COLOR: BLACK.
SHELL: COPPER ALLOY.
TERMINAL: COPPER ALLOY.
 2. PLATING:
TERMINAL: CONTACT AREA: GOLD PLATING, SEE TABLE.
SOLDER AREA: 1 MICROMETER MIN. TIN-BISMUTH ALLOY PLATED.
UNDER PLATE: 1.27 MICROMETER MIN. NICKEL.
SHELL: 1.27 MICROMETER MIN. SOLDERABLE NICKEL PLATE OVERALL.
 3. COPLANARITY IS 0.1MM MAX.
 4. PRODUCT SPECIFICATION REFER TO PS-47152-001.
 5. PACKAGE SPECIFICATION FOR WITHOUT FLANGE REFER TO PK-47151-001.
 6. PRODUCT COMPLIANT TO RoHS DIRECTIVE 2011/65/EU AND ELV 2000/53/EC.



SECTION Z-Z

RECOMMENDED PANEL CUT OUT DIMENSION

RECOMMENDED PCB LAYOUT CONNECTOR SIDE

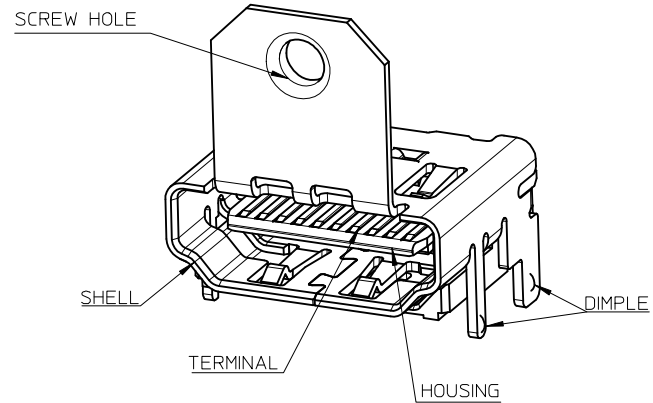
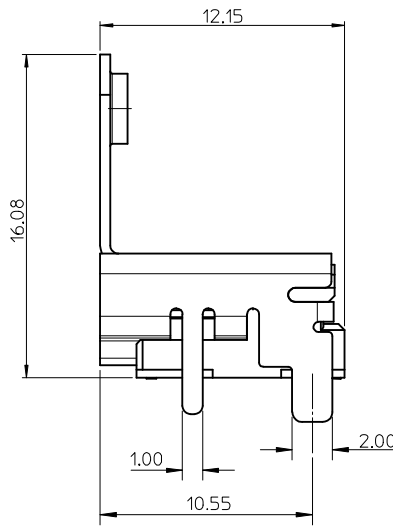
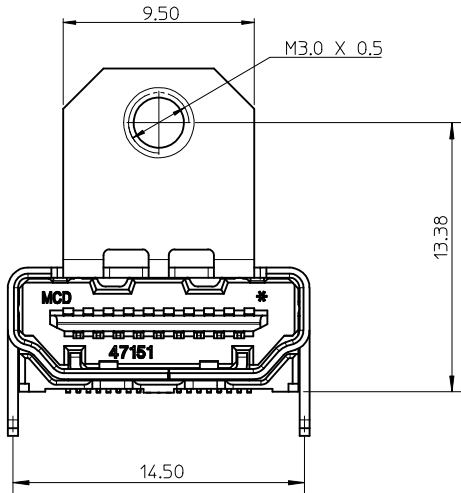
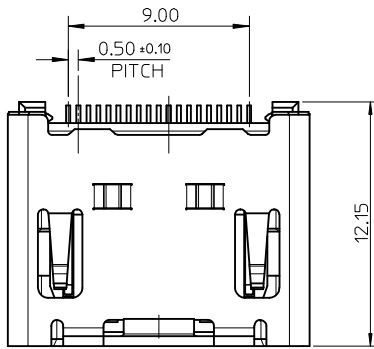
47151-8061	GOLD FLASH			
47151-8041	0.25 MICROMETER MIN.	WITHOUT	WITHOUT	WITH
47151-8001	0.76 MICROMETER MIN.			
PART NO.	CONTACT AREA PLATING	FLANGE	BACK COVER	DIMPLE

MARK UPDATED	2015/11/10	QUALITY SYMBOLS
EC NO: S2016-0465	2015/12/09	▽ F = 0
DRW:HTG0002	2015/12/09	▽ F = 0
CHKD:JZENG	2015/12/15	▽ F = 0
APPR:KHL JM		
REV	DESCRIPTION	
F2		

GENERAL TOLERANCES (UNLESS SPECIFIED)	
	mm INCH
4 PLACES	± --- ± ---
3 PLACES	± --- ± ---
2 PLACES	± 0.25 ± ---
1 PLACE	± --- ± ---
0 PLACE	± ±
ANGULAR ± 3 °	
DRAFT WHERE APPLICABLE MUST REMAIN WITHIN DIMENSIONS	

DIMENSION STYLE	
MM ONLY	
DRAWN BY	DATE
JZENG	2006/02/21
CHECKED BY	DATE
DIXON	2006/02/21
APPROVED BY	DATE
GRATE MA	2006/02/21
MATERIAL NO.	
SEE TABLE	
SIZE	
A3	

SCALE	DESIGN UNITS	THIRD ANGLE PROJECTION
NTS	METRIC	
TITLE		
1.0 HDMI RIGHT ANGLE HEADER WITH DIMPLE TYPE LEAD FREE		
molex		
DOCUMENT NO.	SHEET NO.	
SD-47151-101	1 OF 4	
THIS DRAWING CONTAINS INFORMATION THAT IS PROPRIETARY TO MOLEX INCORPORATED AND SHOULD NOT BE USED WITHOUT WRITTEN PERMISSION		



NOTES:

1. THE UNSPECIFIED DIMENSIONS REFER TO SHEET 1.
2. PACKAGE SPECIFICATION FOR WITH FLANGE REFER TO PK-47151-002.

47151-8071	GOLD FLASH			
47151-8051	0.25 MICROMETER MIN.	WITH	WITHOUT	WITH
47151-8011	0.76 MICROMETER MIN.			
PART NO.	CONTACT AREA PLATING	FLANGE	BACK COVER	DIMPLE

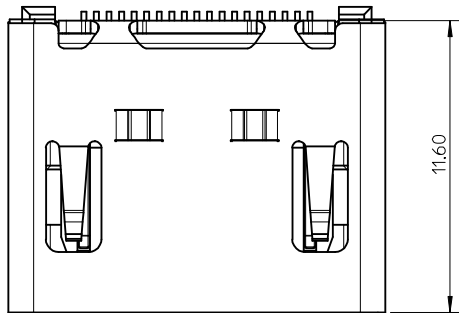
LOCATION UPDATED
 EC NO: S2016-0465
 DRW:HTG0002 2015/11/10
 CHKD:JZENG 2015/12/09
 APPR:KLL JM 2015/12/15

REV	DESCRIPTION
F2	

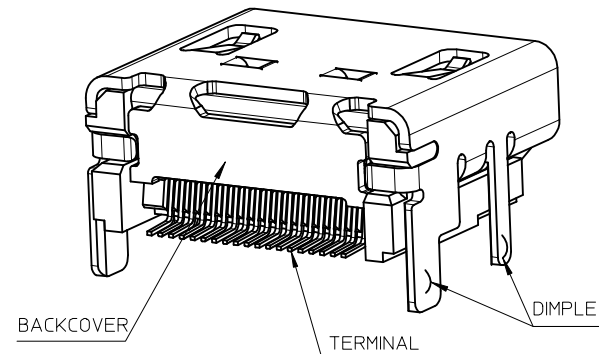
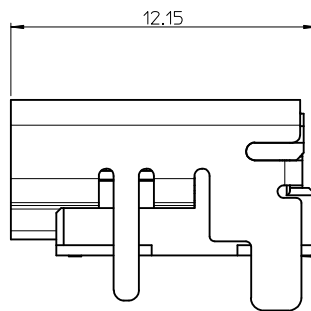
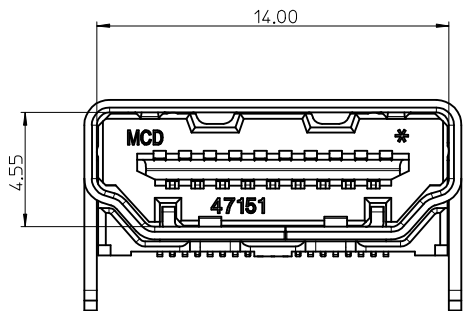
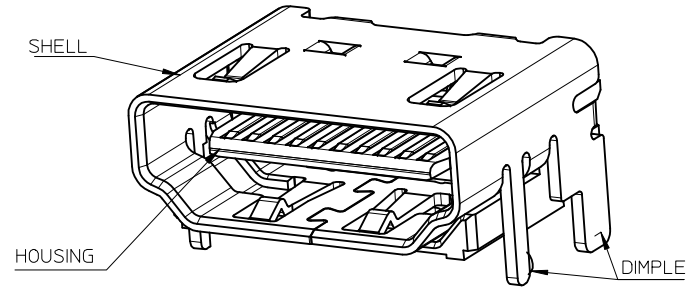
QUALITY SYMBOLS	GENERAL TOLERANCES (UNLESS SPECIFIED)	
	mm	INCH
$\nabla = 0$	4 PLACES ± ---	± ---
$\nabla = 0$	3 PLACES ± ---	± ---
$\nabla = 0$	2 PLACES ± 0.25	± ---
	1 PLACE ± ---	± ---
	0 PLACE ±	±
ANGULAR ± 3°		
DRAFT WHERE APPLICABLE MUST REMAIN WITHIN DIMENSIONS		

DIMENSION STYLE	
MM ONLY	
DRAWN BY	DATE
JZENG	2006/02/21
CHECKED BY	DATE
DIXON	2006/02/21
APPROVED BY	DATE
GRATE MA	2006/02/21
MATERIAL NO.	
SEE TABLE	
SIZE	A3

SCALE	NTS	DESIGN UNITS	METRIC	THIRD ANGLE PROJECTION
TITLE				
1.0 HDMI RIGHT ANGLE HEADER WITH DIMPLE TYPE LEAD FREE				
molex				
DOCUMENT NO.			SHEET NO.	
SD-47151-101			2 OF 4	
THIS DRAWING CONTAINS INFORMATION THAT IS PROPRIETARY TO MOLEX INCORPORATED AND SHOULD NOT BE USED WITHOUT WRITTEN PERMISSION				



WITH BACK COVER



NOTES:

1. THE UNSPECIFIED DIMENSIONS REFER TO 47151-8001.
2. PACKAGE SPECIFICATION FOR WITHOUT FLANGE:
 47151-8131/8141/8161 REFER TO PK-47151-004;
 47151-8031/8081/8091 REFER TO PK-47151-001.

47151-8131	0.76 MICROMETER MIN.	WITHOUT	WITH	WITHOUT
47151-8141	0.25 MICROMETER MIN.			
47151-8161	GOLD FLASH			
47151-8031	0.76 MICROMETER MIN.	WITHOUT	WITH	WITH
47151-8081	0.25 MICROMETER MIN.			
47151-8091	GOLD FLASH			
PART NO.	CONTACT AREA PLATING	FLANGE	BACK COVER	DIMPLE

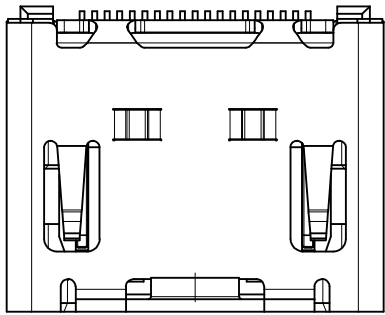
LOCATION UPDATED
 EC NO: S2016-0465
 DR: WHTG0002
 CHKD: JZENG
 APPR: KHL IM

DATE: 2015/11/10
 DATE: 2015/12/09
 DATE: 2015/12/15

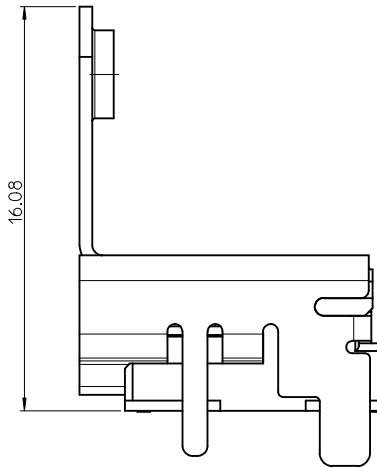
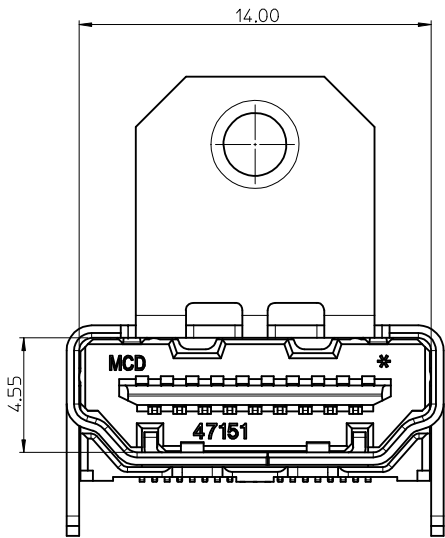
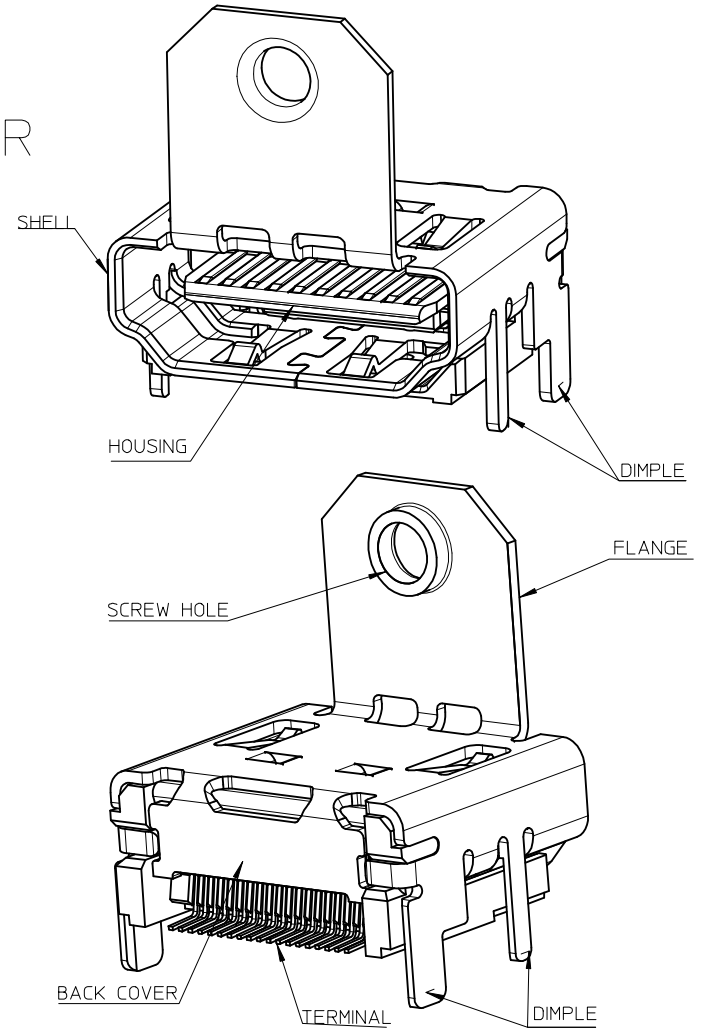
QUALITY SYMBOLS	GENERAL TOLERANCES (UNLESS SPECIFIED)	
	mm	INCH
$F_A=0$	4 PLACES ± ---	± ---
$F_C=0$	3 PLACES ± ---	± ---
$F_B=0$	2 PLACES ± 0.25	± ---
	1 PLACE ± ---	± ---
	0 PLACE ±	±
	ANGULAR ± 3 °	
	DRAFT WHERE APPLICABLE MUST REMAIN WITHIN DIMENSIONS	

DIMENSION STYLE	
MM ONLY	
DRAWN BY	DATE
JZENG	2006/02/21
CHECKED BY	DATE
DIXON	2006/02/21
APPROVED BY	DATE
GRATE MA	2006/02/21
MATERIAL NO.	
SEE TABLE	

SCALE	DESIGN UNITS	THIRD ANGLE PROJECTION
NTS	METRIC	
TITLE		
1.0 HDMI RIGHT ANGLE HEADER WITH DIMPLE TYPE LEAD FREE		
molex		
DOCUMENT NO.	SHEET NO.	
SD-47151-101	3 OF 4	
THIS DRAWING CONTAINS INFORMATION THAT IS PROPRIETARY TO MOLEX INCORPORATED AND SHOULD NOT BE USED WITHOUT WRITTEN PERMISSION		



WITH BACK COVER



NOTES:

1. THE UNSPECIFIED DIMENSIONS REFER TO 47151-8011.
2. PACKAGE SPECIFICATION FOR WITH FLANGE REFER TO PK-47151-002.

47151-8521	0.25 MICROMETER MIN.	WITH	WITH	WITHOUT
47151-8321	GOLD FLASH			
47151-8121	0.76 MICROMETER MIN.			
47151-8221	GOLD FLASH	WITH	WITH	WITH
47151-8421	0.25 MICROMETER MIN.			
47151-8021	0.76 MICROMETER MIN.			
PART NO.	CONTACT AREA PLATING	FLANGE	BACK COVER	DIMPLE

LOCATION UPDATED EC NO: S2016-0465 DRWN:HTGU002 CHKD:JZENG APPR:KHL IM	2015/11/10	2015/12/09	2015/12/15
	DESCRIPTION		
	QUALITY SYMBOLS	$\nabla_{\text{A}}=0$	$\nabla_{\text{B}}=0$
		$\nabla_{\text{C}}=0$	

GENERAL TOLERANCES (UNLESS SPECIFIED)	
	mm INCH
4 PLACES	\pm --- \pm ---
3 PLACES	\pm --- \pm ---
2 PLACES	\pm 0.25 \pm ---
1 PLACE	\pm --- \pm ---
0 PLACE	\pm \pm
ANGULAR \pm 3°	
DRAFT WHERE APPLICABLE MUST REMAIN WITHIN DIMENSIONS	

DIMENSION STYLE	
MM ONLY	
DRAWN BY	DATE
JZENG	2006/02/21
CHECKED BY	DATE
DIXON	2006/02/21
APPROVED BY	DATE
GRATE MA	2006/02/21
MATERIAL NO.	
SEE TABLE	
SIZE	A3

SCALE	NTS	DESIGN UNITS	METRIC	THIRD ANGLE PROJECTION
TITLE				
1.0 HDMI RIGHT ANGLE HEADER WITH DIMPLE TYPE LEAD FREE				
DOCUMENT NO.			SHEET NO.	
SD-47151-101			4 OF 4	
THIS DRAWING CONTAINS INFORMATION THAT IS PROPRIETARY TO MOLEX INCORPORATED AND SHOULD NOT BE USED WITHOUT WRITTEN PERMISSION				