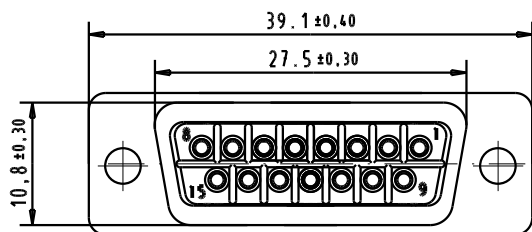
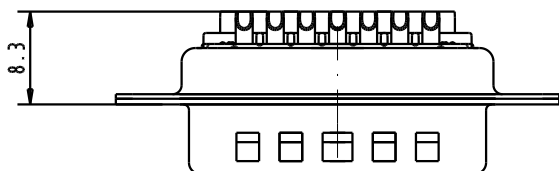
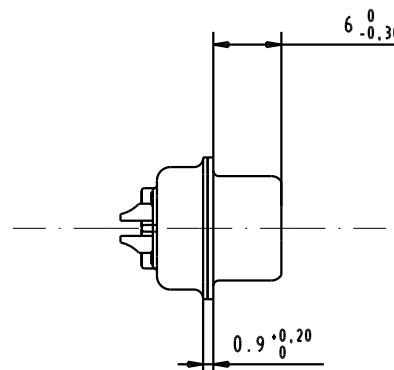
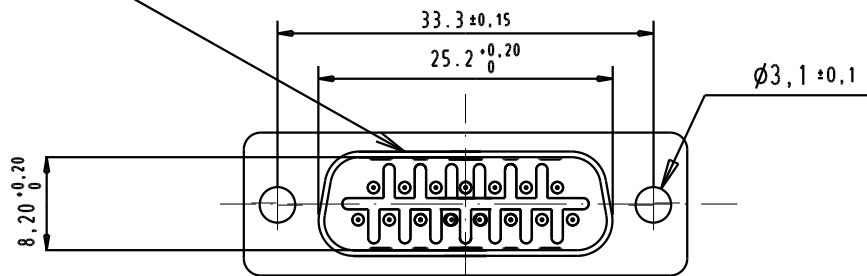


Mating face according to : MIL-C-24308 / DIN 41652 / CECC 75.01-802



- 1) Protection standard IP 67 according to IEC 529 / DIN 40050.
- 2) Cable: AWG 20 max

D

C

B

A

09 67 415 5615	Au plating 0,76 µm mini
Part Number	Performance Level

				Dat.	Name	<p>All Dim. in mm Orig. Size DIN A 4</p>
				Detail.	24/02/04 S.H.	
				Insp.		
				Stand.		
31587	24/02/04	S.H.	HARTING ELEKTRONIK F-95972 Paris			
Mod.	Dat.	Name				

						D-SUB IP67 male 15 Poles straight solder cup	Maßstab/ Scale
						TB 09 67 415 5615	Blatt/ Page