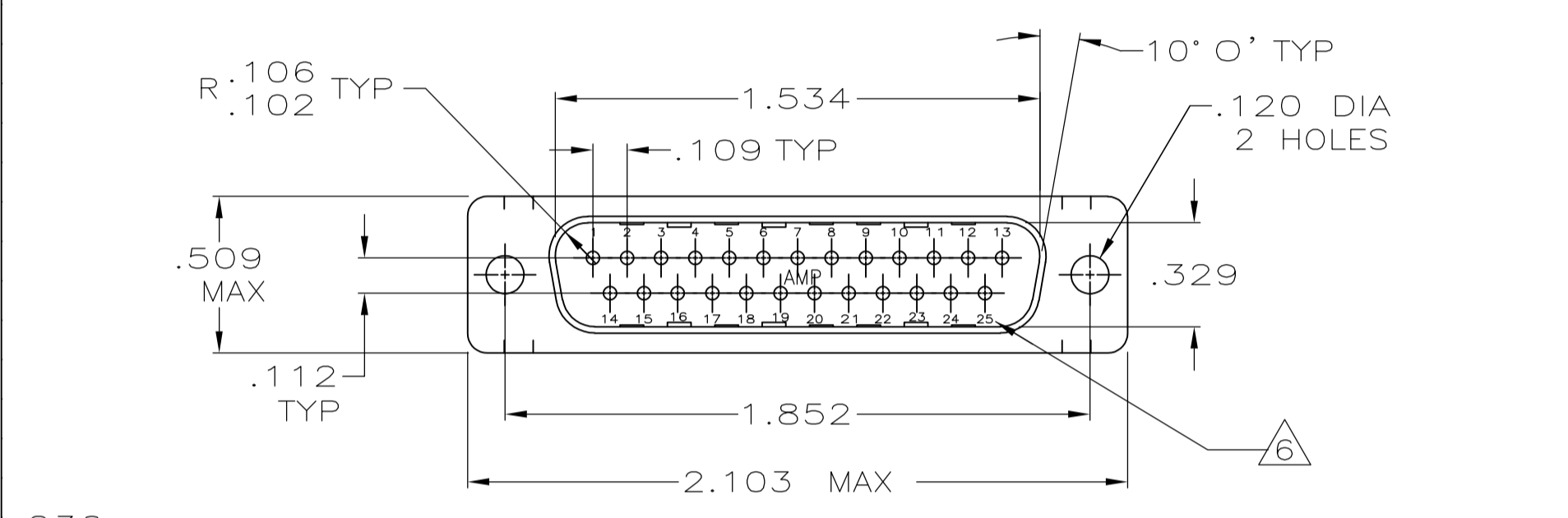
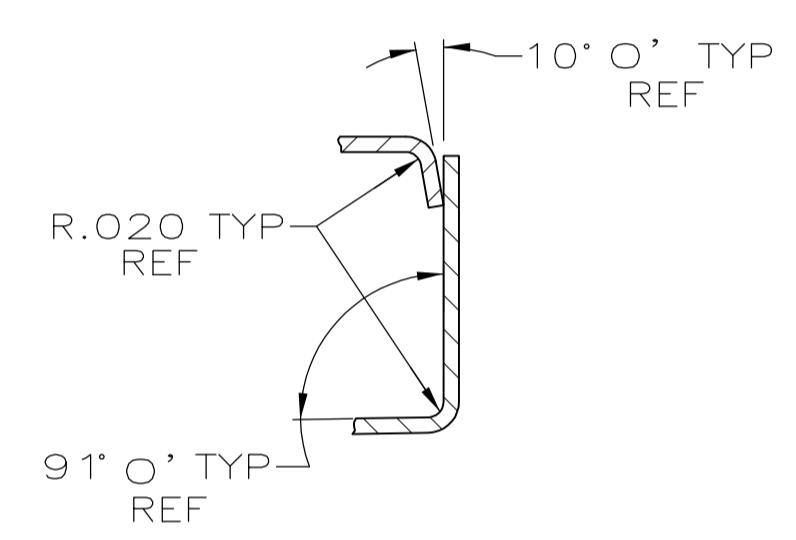


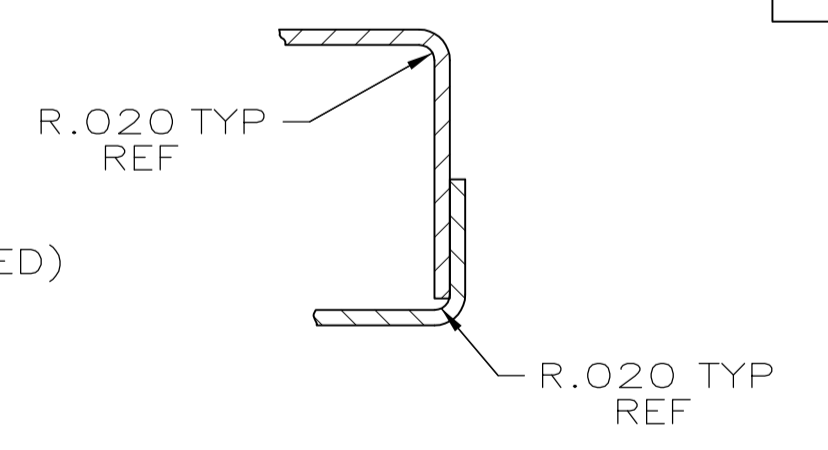
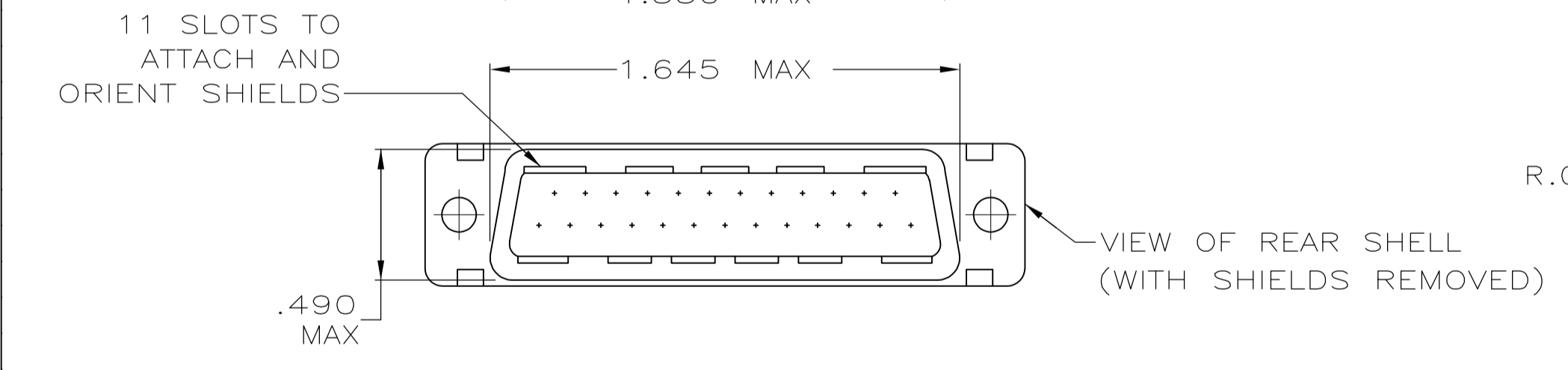
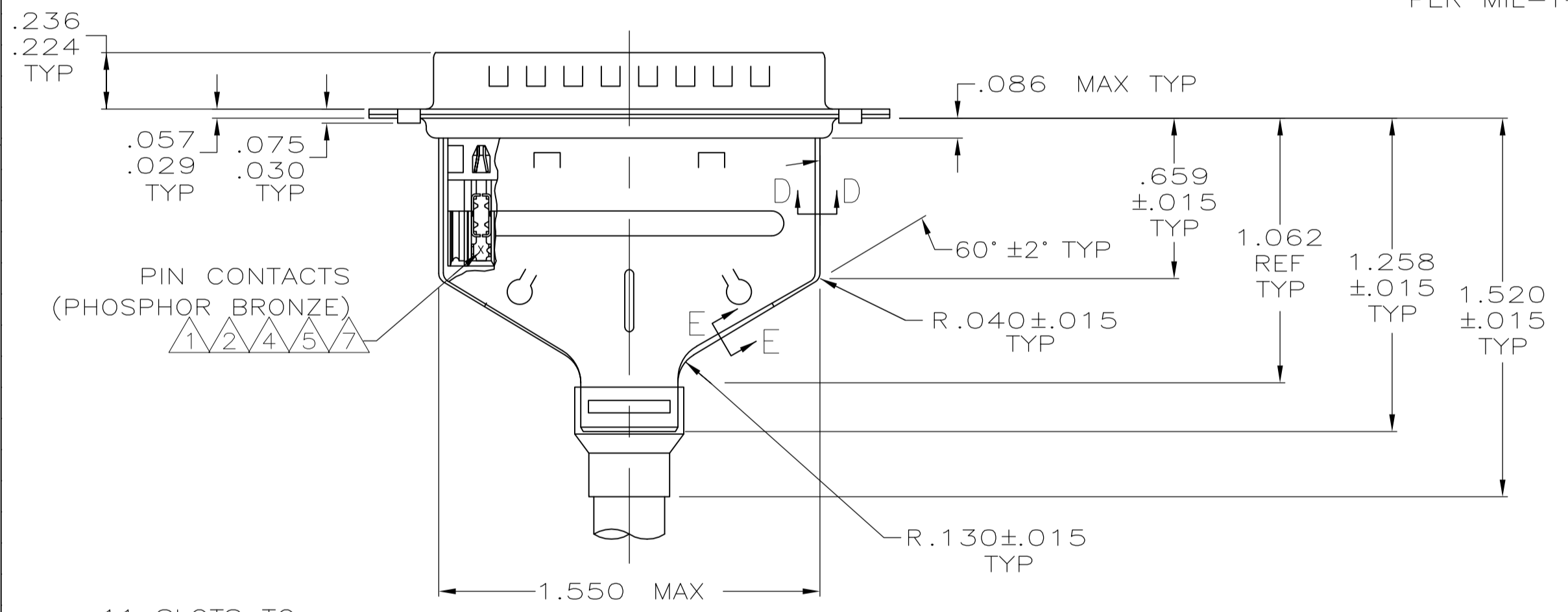
LOC		DIST		REVISIONS			
GP	00	P	LTR	DESCRIPTION	DATE	DWN	APVD
M1	REVISED PER ECO-11-004835				11MAR11	RK	HMR



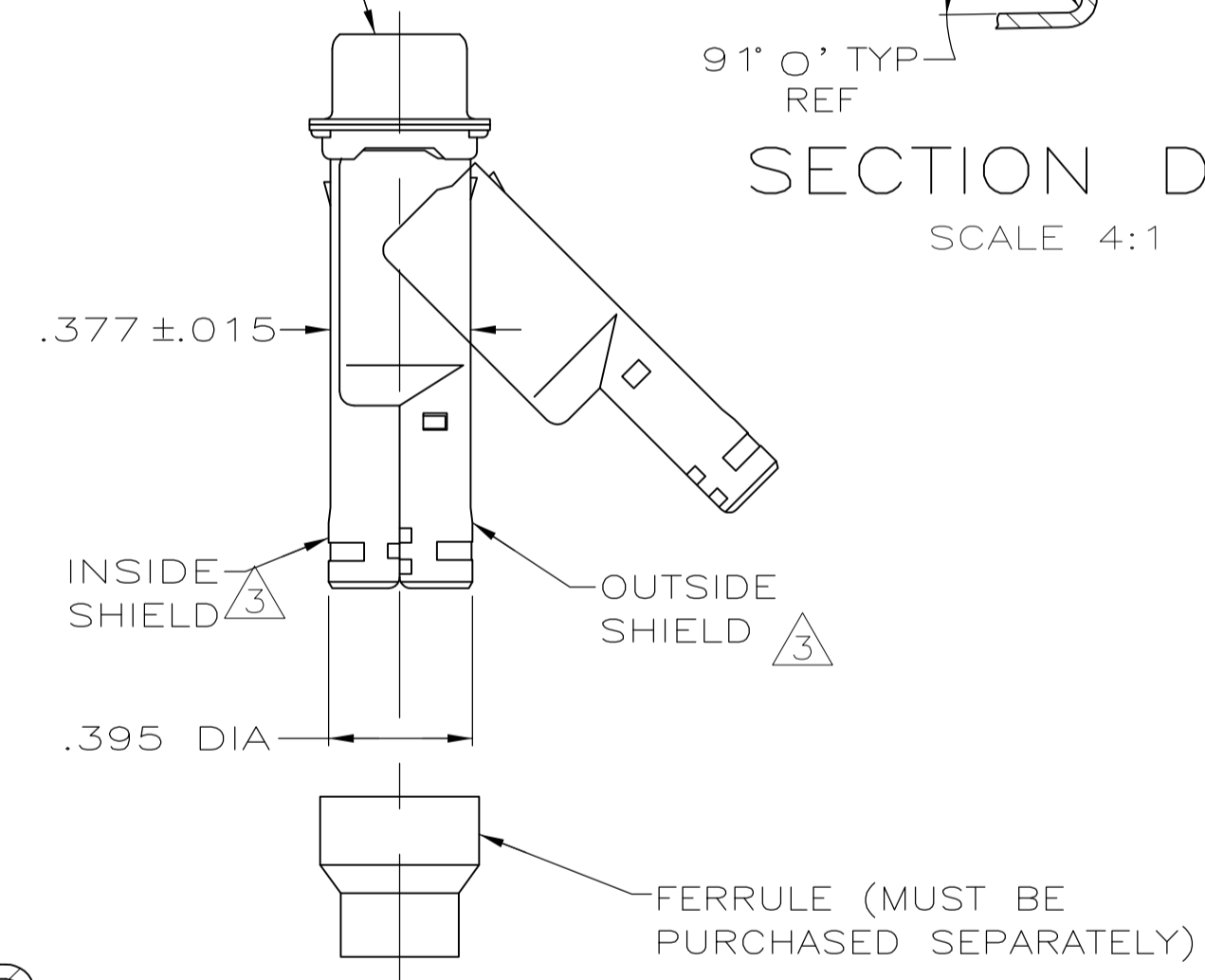
PLUG CONNECTOR ¹
 INSERT: BLACK THERMOPLASTIC,
 94V-0 RATED.
 SHELL: STEEL PER ASTM A109,
 BRIGHT TIN PLATED
 PER MIL-T-10727.



SECTION D-D
 SCALE 4:1



SECTION E-E
 SCALE 4:1



- ¹ PLUG CONNECTOR FULLY LOADED WITH CONTACTS. ALL OTHER PARTS SHIPPED UNASSEMBLED (EACH PART INDIVIDUALLY BULK PACKED).
- ² NUMBER ON CONTACT INDICATES WIRE RANGE.
- ³ SHIELDS: MATERIAL-.020 THICK STEEL, TIN PLATED.
- ⁴ CONTACTS PLATED GOLD PLATED FOR LENGTH OF .150 MIN FROM MATING END, .000030 MIN GOLD IN MATED AREA. .000100-.000200 BRIGHT TIN OR BRIGHT IN TIN-LEAD IN WIRE TERMINATION AREA. .000050 NICKEL UNDERPLATE ON ENTIRE CONTACT.
- ⁵ CONTACTS PLATED GOLD PLATED FOR LENGTH OF .150 MIN FROM MATING END, GOLD FLASH IN MATED AREA. .000100-.000200 BRIGHT TIN OR BRIGHT IN TIN-LEAD IN WIRE TERMINATION AREA. .000030 NICKEL UNDERPLATE ON ENTIRE CONTACT.
- ⁶ RAISED CAVITY IDENTIFICATION AND AMP TRADEMARK.
- ⁷ CONTACTS PLATED GOLD PLATED FOR LENGTH OF .150 MIN FROM MATING END, .000050 MIN GOLD IN MATED AREA. .000100-.000200 BRIGHT TIN OR BRIGHT IN TIN-LEAD IN WIRE TERMINATION AREA. .000050 NICKEL UNDERPLATE ON ENTIRE CONTACT.
- ⁸ CONTACTS GOLD PLATED FOR A LENGTH OF .150 MIN FROM MATING END, .000030 MIN GOLD IN MATED AREA, .000100-.000200 MATTE TIN IN WIRE TERMINATION AREA, ALL OVER .000050MIN NICKEL UNDERPLATE ON ENTIRE CONTACT.
 OR
 CONTACTS GOLD PLATED FOR A LENGTH OF .150 MIN FROM MATING END, GOLD FLASH OVER PALLADIUM-NICKEL, .000030 MIN TOTAL IN MATED AREA, .000100-.000200 MATTE TIN IN WIRE TERMINATION AREA, ALL OVER .000050 MIN NICKEL UNDERPLATE ON ENTIRE CONTACT.
- ⁹ CONTACTS PLATED GOLD FLASH FOR A LENGTH OF .150 MIN FROM MATING END, .000100-.000200 MATTE TIN IN WIRE TERMINATION AREA, ALL OVER .000030 MIN NICKEL UNDERPLATE ON ENTIRE CONTACT.

	⁹	2	#22-26	1-747547-0
	⁸	2	#22-26	747547-9
	⁸	1	#26-30	747547-8
OBSOLETE	⁷	2	#22-26	747547-7
OBSOLETE		3	#20-22	747547-6
OBSOLETE	⁵	2	#22-26	747547-5
OBSOLETE		1	#26-30	747547-4
OBSOLETE		3	#20-22	747547-3
OBSOLETE	⁴	2	#22-26	747547-2
OBSOLETE		1	#26-30	747547-1
	CONTACT FINISH	²	WIRE RANGE	PART NUMBER

THIS DRAWING IS A CONTROLLED DOCUMENT.

DIMENSIONS: INCHES	TOLERANCES UNLESS OTHERWISE SPECIFIED:	DIN L. VARELA-DOCK5 11-16-04	TE Connectivity
0 PLC ± -	1 PLC ± -	J. GERACE 11-16-04	NAME
2 PLC ± -	3 PLC ± .005	M. WALMSLEY 11-16-04	PRODUCT SPEC
4 PLC ± -	ANGLES ± ° 30'		108-40011 & 108-40030
MATERIAL SEE CALL OUT	FINISH SEE CALL OUT	APPLICATION SPEC	114-40002
		SIZE	CAGE CODE DRAWING NO
		WEIGHT	A1 00779 747547
		CUSTOMER DRAWING	SCALE 2:1 SHEET 1 OF 1 REV M1