

4		3		2		1	
ITEM	CONNECTOR PART NO.	DESCRIPTION	IPI CHECK	EOR CHECK	Applicable Tooling		
1	SVM-61T-P2.0	VL CONNECTOR - MALE CONTACT			APPLICATOR		
2	UL1015, 14 AWG	BLACK			Applicable Housings		

NO. OF CIRCUITS	HOUSING PART NO. WITH PANEL LOCKS	HOUSING PART NO. WITHOUT PANEL LOCKS
1	-	VLR-01VF
2	VLR-02V	VLR-02VF
3	VLR-03V	-
4	VLR-04V	VLR-04VF
4	VLR-04VN	-
6	VLR-06V	-
8	VLR-08V	-
12	VLR-12V	-

D

D

C

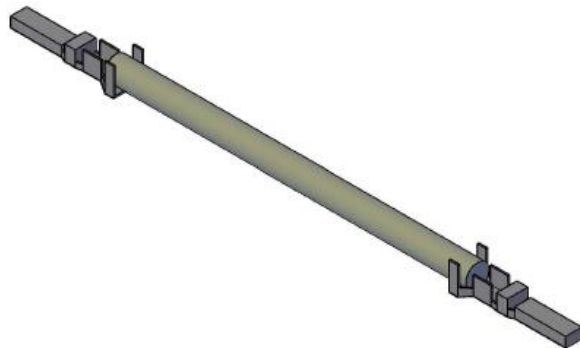
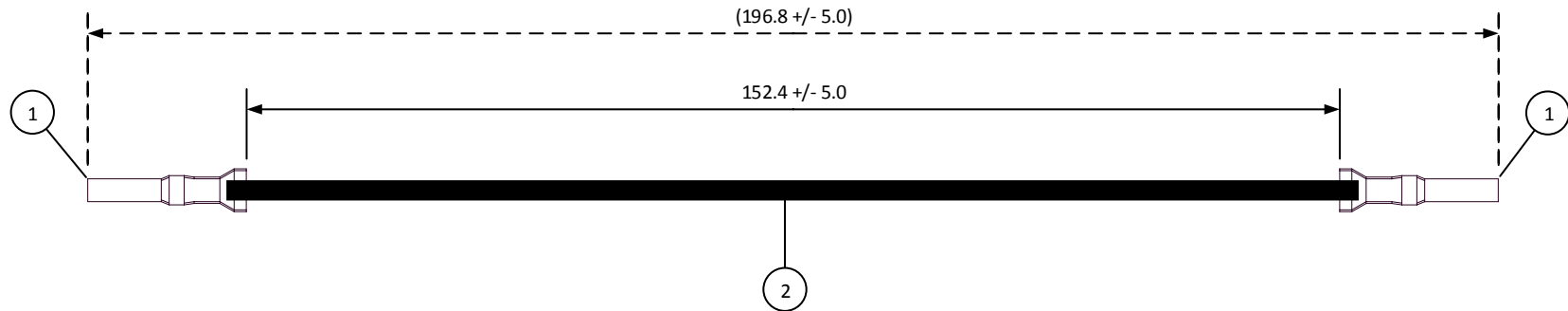
C

B

B

A

A



JST

SCALE	CUSTOMER NAME	CUSTOMER PART NO.
1: 1		
DIMENSIONS	DESCRIPTION	
All dimensions are in MM with a tolerance of +/- 3.0 unless otherwise specified.	6.2 mm Pitch VL Series Standard Leads - 6" Inside Length DOUBLE-END LEADS, M-M	
DRAWN BY	ASSEMBLY PART NO.	
STEVEN PILKINGTON	ASVMSVM14K152	
CHECKED BY	DRAWING NO. & REVISION	REVISED
JUSTIN BAKER	GAM-095	3/9/2016

REV.	DESCRIPTION	DATE	BY

4

3

2

1