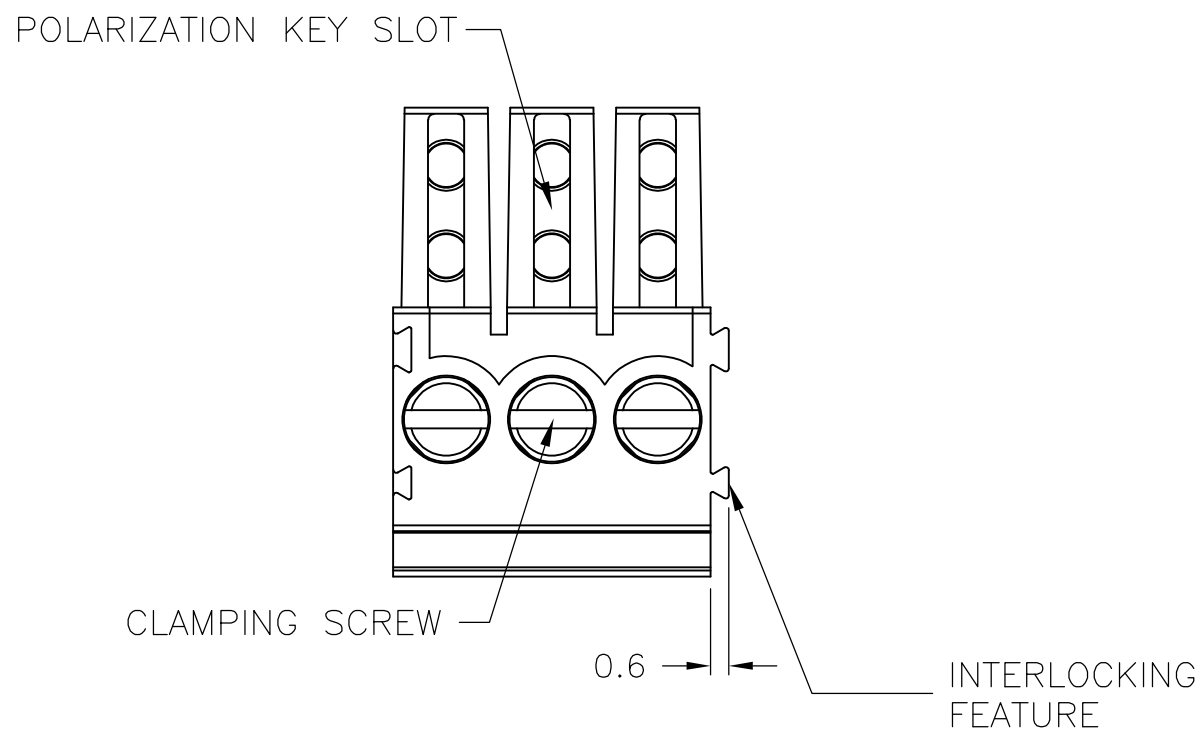
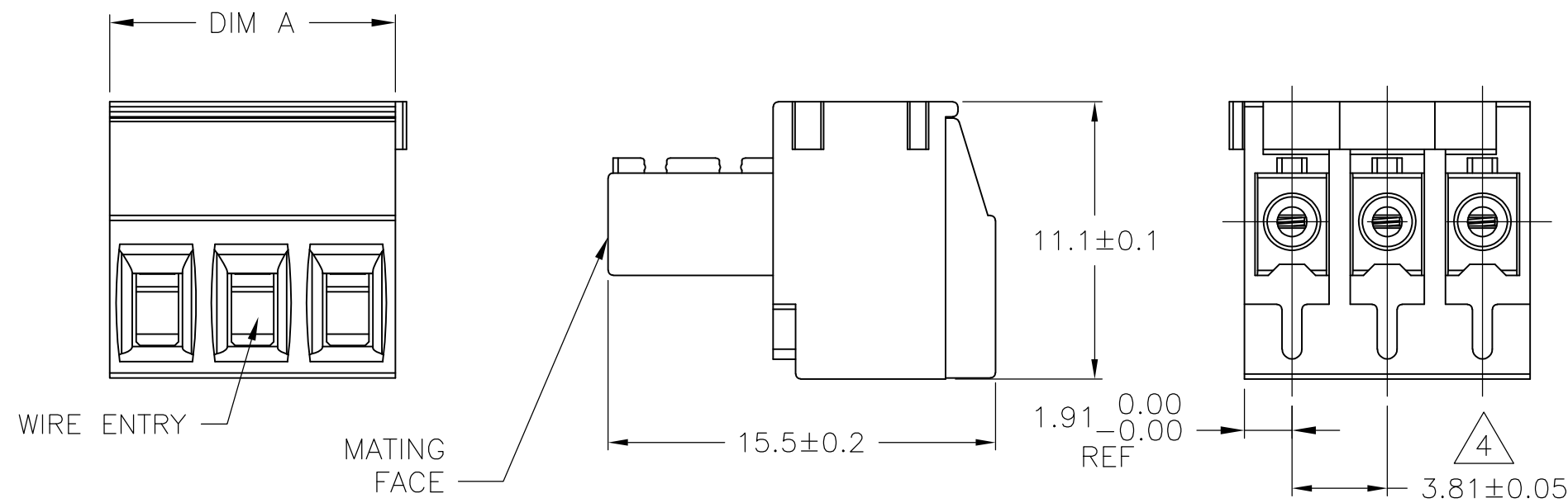


THIS DRAWING IS UNPUBLISHED. RELEASED FOR PUBLICATION
 © COPYRIGHT BY TYCO ELECTRONICS CORPORATION. ALL INTERNATIONAL RIGHTS RESERVED.

LOC	DIST	REVISIONS			
P	LTR	DESCRIPTION	DATE	DWN	APVD
—	—	A	REVISED PER ECO-08-025009	11OCT08	HMR CR



1 MATERIALS AND FINISH
 HOUSING : PA 6.6, UL 94-V0, COLOR: BLACK
 CLAMP : BRASS, NICKEL PLATED
 TERMINAL : BRASS, TIN PLATED
 CONTACT SPRING : PHOSPHOR BRONZE, TIN PLATED
 CLAMPING SCREW : M2, BRASS, NICKEL PLATED

2 END-TO-END STACKABLE W/INTERLOCK WITHOUT LOSS OF CENTERLINE SPACING

3 WIRE SIZE RANGE 14-30 AWG

4 NOT CUMULATIVE TOLERANCE

5 PRELIMINARY - NOT FOR PRODUCTION.

DIM A	NO OF POS	PART NUMBER
68.58	18	1-1986345-8
45.72	12	1-1986345-2
41.91	11	1-1986345-1
38.10	10	1-1986345-0
34.29	9	1986345-9
30.48	8	1986345-8
22.67	7	1986345-7
22.86	6	1986345-6
19.05	5	1986345-5
15.24	4	1986345-4
11.43	3	1986345-3
7.62	2	1986345-2

THIS DRAWING IS A CONTROLLED DOCUMENT.		DWN S SCHLEGEL 30JAN2008	Tyco Electronics Corporation Harrisburg, PA 17105-3608	
DIMENSIONS: mm		CHK C RICHARD 1/30/08	NAME	
TOLERANCES UNLESS OTHERWISE SPECIFIED:		APVD C RICHARD 1/30/08	TERMINAL BLOCK PLUG STACKING WITH INTERLOCK 3.81mm PITCH	
0 PLC ± -		PRODUCT SPEC	SIZE	CAGE CODE
1 PLC ± 0.3		APPLICATION SPEC	A3	00779
2 PLC ± 0.25		WEIGHT	DRAWING NO	
3 PLC ± -			C-1986345	
4 PLC ± -			RESTRICTED TO	
ANGLES ± 2'				
MATERIAL 1	FINISH -	CUSTOMER DRAWING		SCALE 4:1
		SHEET 1 OF 1		REV A