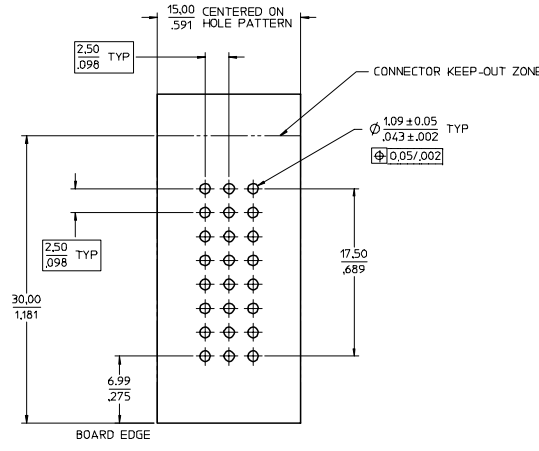
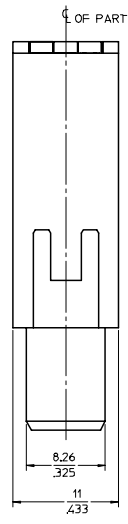


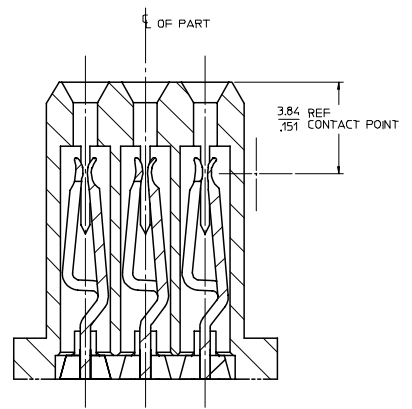
ASSEMBLY MATERIAL NUMBER	NUMBER OF CIRCUITS	DESCRIPTION
46225-5024	24	RIGHT ANGLE SIGNAL MODULE

A1

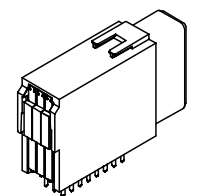
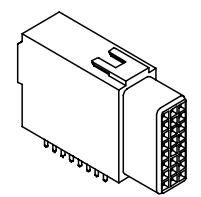
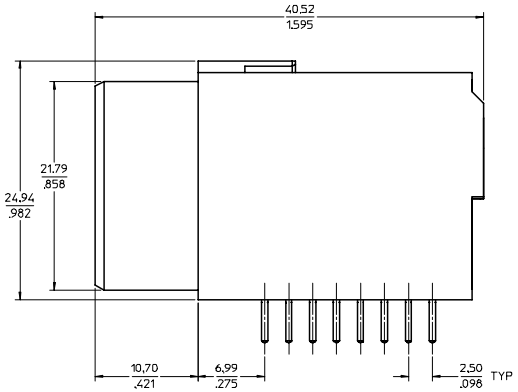
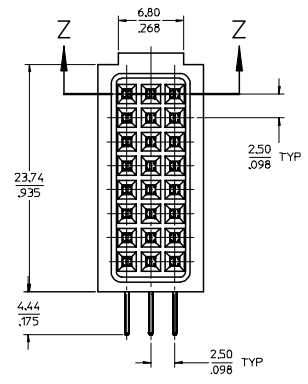
- NOTES:
- MATERIALS:
 - HOUSING: 30% GLASS FILLED, LCP 94V-0, COLOR: BLACK
 - TERMINALS: COPPER ALLOY
 - PLATING: PER ES-88-228.
 - 0.75/30 μ INCH MIN. SELECT HARD GOLD IN CONTACT AREA WITH 2.50/100 μ INCH MIN. SELECT TN IN TAIL AREA OVER 1.25/50 μ INCH MIN. NICKEL OVERALL
 - LUBRICATION: EB1 IN CONTACT AREA
 - SEE CHART FOR REFERENCE DOCUMENTS
 - MODULE IS DESIGNED FOR SOLDERING TO THE PCB
 - MODULE ASSEMBLY IS RoHS COMPLIANT
 - MODULES TO BE UL & CSA LISTED PER UL-1977
 - FINAL ASSEMBLY TO BE PACKAGED AND LABELED PER PACKAGING KIT DRAWING NUMBER PK-45841-500



PCB LAYOUT
3.17/.125 MIN THICK



SECTION Z-Z
SCALE 10:1



REV	CHRT & ADD NOTE	QUALITY SYMBOLS	GENERAL TOLERANCES (UNLESS SPECIFIED)		DIMENSION STYLE		SCALE	DESIGN UNITS	THIRD ANGLE PROJECTION
			mm	INCH	MM/IN	DATE			
A1	REV CHRT & ADD NOTE EC NO: UCP2008-0639 DRAWN: JOUILLES 2007/09/27 CHKD: CHPKD 2007/09/27 APPR: APATEL 2007/10/03	▽=0 ▽=0 ▽=0	4 PLACES ± .005	3 PLACES ± .005	3 PLACES ± .013	1 PLACE ± 0.25	ANGULAR ± 1/2°	SEE CHART	DRAFT WHERE APPLICABLE MUST REMAIN WITHIN DIMENSIONS
DRAWN BY: JOUILLES CHECKED BY: DMCGOWAN APPROVED BY: APATEL			DATE: 2006/10/12 DATE: 2006/10/13 DATE: 2006/10/16		TITLE: ASSEMBLY-RECEPTACLE SIGNAL MODULE RIGHT ANGLE		SCALE: 4:1 DESIGN UNITS: METRIC		THIRD ANGLE PROJECTION
MATERIAL NO. SD-46225-100			DOCUMENT NO. SD-46225-100		SHEET NO. 1 OF 1		MOLEX INCORPORATED		
THIS DRAWING CONTAINS INFORMATION THAT IS PROPRIETARY TO MOLEX INCORPORATED AND SHOULD NOT BE USED WITHOUT WRITTEN PERMISSION									