

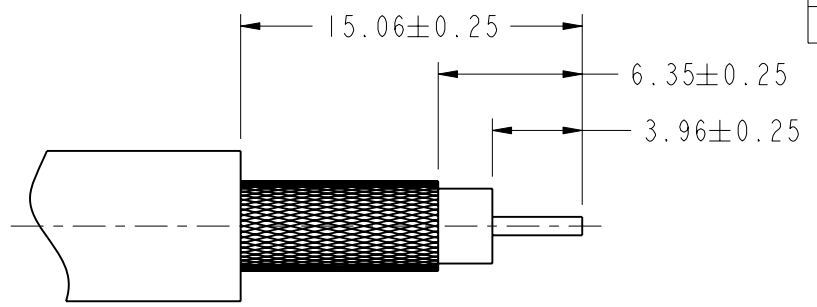
NOTES:

1. MATERIALS AND FINISHES:
 BODY - BRASS, NICKEL PLATING
 CONTACT - BRASS, GOLD PLATING
 INSULATOR - PTFE , NATURAL
2. ELECTRICAL:
 A. IMPEDANCE: 50 OHM
 B. FREQUENCY RANGE: DC - 4 GHz.
 C. DIELECTRIC WITHSTANDING VOLTAGE: 1500 VRMS, MIN.
3. MECHANICAL:
 A. DURABILITY: 500 CYCLES MIN.
 B. TEMPERATURE RANGE: -65 C TO +165 C
4. WHEN CRIMPING CONTACT PIN TO CABLE, CRIMP WITH AMPHENOL TOOL 227-944 (M22520/5-01) AND DIE SET 227-1221-09, CAVITY 'B' (M22520/5-09, CLOSURE 'B')
5. WHEN CRIMPING FERRULE TO CABLE, CRIMP WITH AMPHENOL TOOL 227-944 (M22520/5-01) AND DIE SET 227-1221-09, CAVITY 'A' (M22520/5-09, CLOSURE 'A')
6. USE WITH RG 122; BELDEN 8218, 1406A, 1164A, 1167A, 1418A, 1407A, 1417A CABLES , AND AT&T 735A, CLARK CV75SM CABLES.

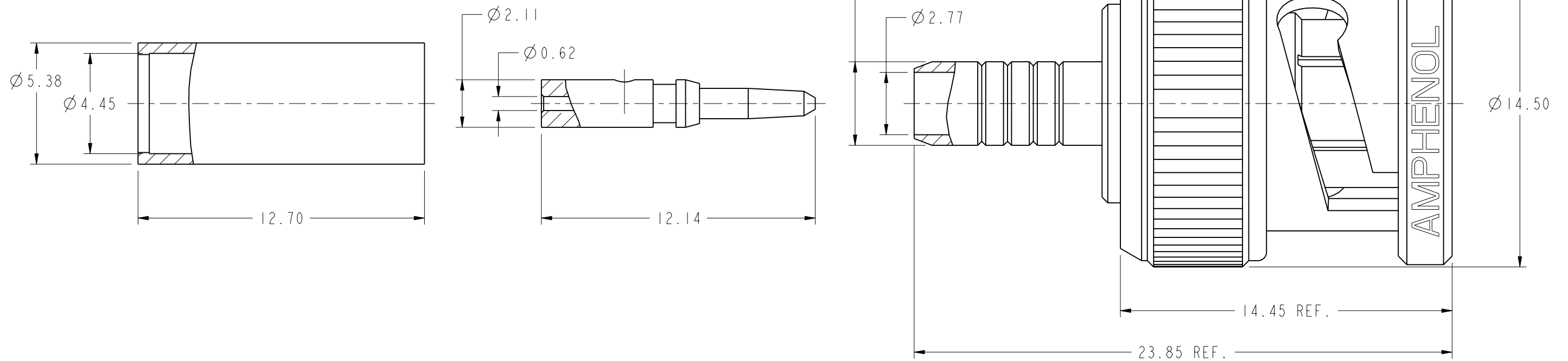
THIRD ANGLE PROJ.

REVISIONS

REV	DESCRIPTION	DATE	ECO	APPR
A2	APPEARANCE WAS CHANGED\N/A	15-Apr-03		
A3	SEE SHEET 1	30-Jun-05		
B	SEE SHEET 1	28-Sep-06		SH
W	REDRAWN TO UPDATE FORMAT	12-Nov-08	47247	SH
Y	SEE SHEET 1	17-Mar-10	47921	SH



RECOMMENDED CABLE STRIPPING DIMENSION'S



CUSTOMER OUTLINE DRAWING
 ALL OTHER SHEETS ARE FOR INTERNAL USE ONLY

UNLESS OTHERWISE SPECIFIED, DIMENSIONS ARE IN METRIC AND TOLERANCES ARE: <0.5mm ± 0.05mm 0.5 - 6mm ± 0.1mm 6 - 30mm ± 0.2mm 30 - 120mm ± 0.3mm ANGLES ± 1°	MATERIAL	DRAWN T. DENG	DATE 19-Jan-10	TITLE BNC PLUG RGB AND SVHS CABLES	Amphenol RF Danbury CT USA, Tainan, Taiwan, Shenzhen, China www.amphenolrf.com
	REFERENCE	ENGINEER C. WANG	DATE 19-Jan-10		
	FINISH	APPROVED S. HSIEH	DATE 17-Mar-10	DWG SIZE B REV Y	
	NOTICE - These drawings, specifications, or other data (1) are, and remain the property of Amphenol corp. (2) must be returned upon request; and (3) are confidential and not to be disclosed to any person other than those to whom they are given by Amphenol Corp. the furnishing of these drawings, specifications, or other data by Amphenol Corp., or to any other person to anyone for any purpose is not to be regarded by implication or otherwise in any manner licensing, granting rights to permitting such holder or any other person to manufacture, use or sell any product, process or design, patented or otherwise, that may in any way be related to or disclosed by said drawings, specifications, or other data.		CAD FILE I:/BNC/31-325		