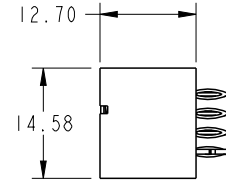
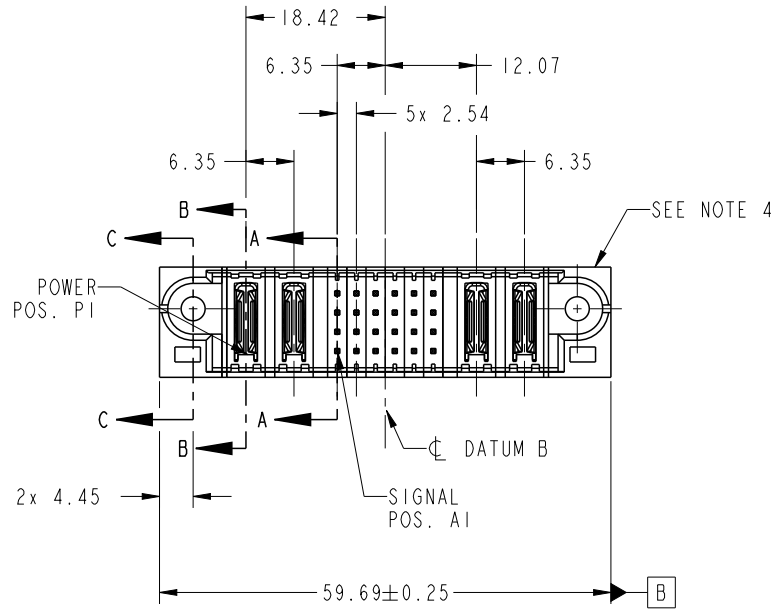


PRODUCT NO. 51952-292-- NOTE ③	ROWS DCBA	POWER		SIGNAL						POWER		E2	
		E1	P1	P2	1	2	3	4	5	6	P3		P4
			PC	PC	K	K	K	K	K	G	PC	PC	
					K	G	G	G	K				
					K	K	K	K	K				
					K	K	K	K	K				



CODE	DIM "M" MATING LENGTH	CONTACT TYPE
PC	[N/A]	POWER
K	[5.59]	SIGNAL
G	[6.86]	SIGNAL
HA	[N/A]	HOLD-DOWN

spec ref	See Notes			dr	Ruan MT	2014/09/16	projection 	MM ←→	size	A4	scale	1:1	
tolerance std	TOLERANCES UNLESS OTHERWISE SPECIFIED			eng	De-Ming Lu	2014/09/27			ecn no	-			
See Notes				chr	-	-			product family	PwrBlade		rel level	Released
surface	linear	0.X	±0.50	FCI www.fci.com	title			dwg no	51952-292		rev	A	
		0.XX	±0.25		2P + 24S + 2P								
	0.XXX	±0.10	VERTICAL PRESS-FIT HEADER										
	angular	0°	±2°	cat. no.	-	Product - Customer Drw			sheet 1 of 4				

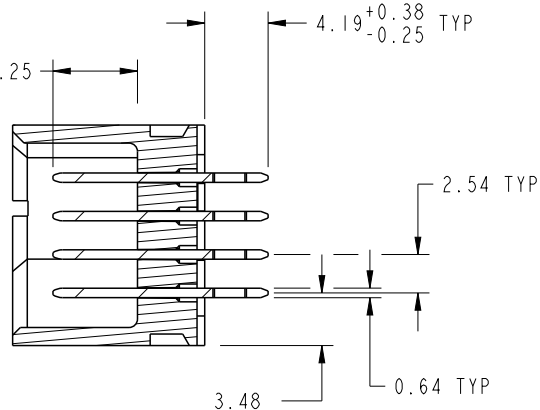


Copyright FCI.

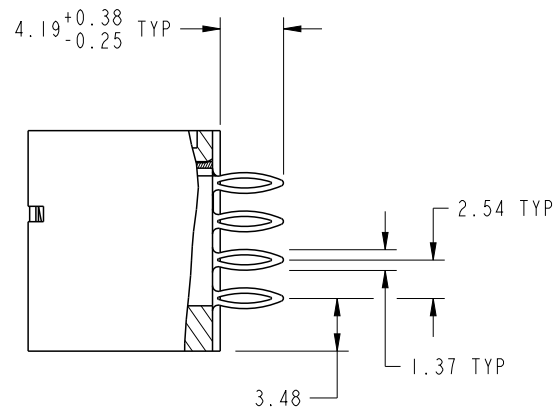
PRODUCT NUMBER

51952-292__
NOTE 3

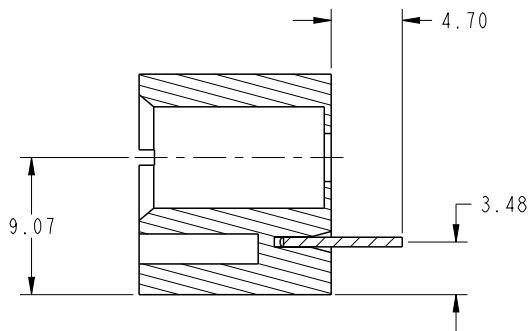
DIM "M" ±0.25



SECTION A-A
SCALE 2:1



SECTION B-B
SCALE 2:1

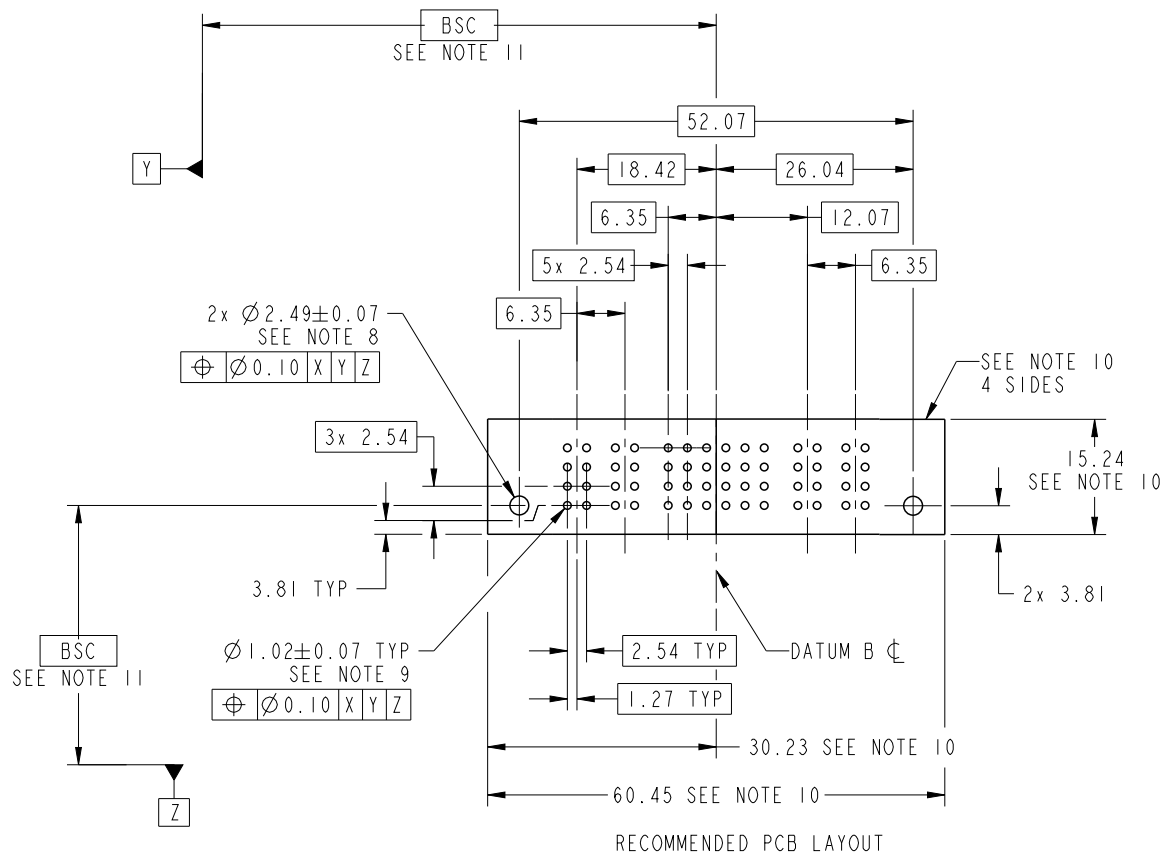


SECTION C-C
SCALE 2:1

dr	Ruan MT	2014/09/16	projection 	MM 	size	A4	scale	1:1			
eng	De-Ming Lu	2014/09/27			ecn no	-					
chr	-	-			rel level	Released					
appr	Pei-Ming Zheng	2014/09/27	product family	PwrBlade							
		title			2P + 24S + 2P		dwg no		51952-292	rev	A
www.fci.com		cat. no.			-		Product - Customer Drw		sheet 2 of 4		

PRODUCT NUMBER

51952-292__
NOTE 3



RECOMMENDED PCB LAYOUT



Copyright FCI.

dr	Ruan MT	2014/09/16	projection 	MM 	size	A4	scale	1:1		
eng	De-Ming Lu	2014/09/27			ecn no	-				
chr	-	-			rel level	Released				
appr	Pei-Ming Zheng	2014/09/27	product family	PwrBlade	rev	A				
	title	2P + 24S + 2P VERTICAL PRESS-FIT HEADER		dwg no	51952-292	www.fci.com	cat. no.	-	Product - Customer Drw	sheet 3 of 4

PRODUCT NUMBER

51952-292__
NOTE 3

NOTES:

1. DIMENSIONS AND TOLERANCES ARE IN ACCORDANCE WITH ASME Y14.5M, 1994 UNLESS OTHERWISE SPECIFIED.

CONNECTOR NOTES:

- ② HOUSING MATERIAL: UL 94 V-0 GLASS FILLED HIGH-TEMP THERMOPLASTIC
POWER CONTACT MATERIAL: COPPER ALLOY
SIGNAL PIN MATERIAL: COPPER ALLOY
 - 3. SEE ITEM 3 & 4 IN PRINT 10064183 FOR PLATING SPEC OF 51952-292 AND 51952-292LF RESPECTIVELY.
 - ④ MANUFACTURER'S NAME, DATE CODE AND OPTIONAL P/N TO APPEAR ON THIS SURFACE. THE MARK CAN BE OMITTED IF THERE IS NOT ENOUGH SPACE ON THIS SURFACE.
 - 5. PRODUCT SPECIFICATION GS-12-149.
APPLICATION SPECIFICATION BUS-20-067.
 - 6. PACKAGED IN TRAYS.
- PCB NOTES:
- 7. ALL HOLE DIAMETERS ARE FINISHED HOLE SIZE.
 - 8. MOUNTING HOLES, WHERE APPLICABLE, ARE UNPLATED.

⑨ $\varnothing 1.151 \pm 0.025$ DRILLED HOLES PLATED WITH
0.008 MIN SnPb OR Sn OVER .001 [0.03]
TO 0.08 Cu PLATING TO ACHIEVE
 $\varnothing 1.02 \pm 0.07$ HOLE.

⑩ CONNECTOR KEEP-OUT ZONE.

⑪ DATUM AND BASIC DIMENSIONS ARE ESTABLISHED BY CUSTOMER.

dr	Ruan MT	2014/09/16	projection 	MM 	size	A4	scale	1:1
eng	De-Ming Lu	2014/09/27			ecn no	-		
chr	-	-						
appr	Pei-Ming Zheng	2014/09/27	product family	PwrBlade	rel level	Released		
	title	2P + 24S + 2P VERTICAL PRESS-FIT HEADER		dwg no	51952-292		rev	A
www.fci.com	cat. no.	-	Product - Customer Drw			sheet 4 of 4		



Copyright FCI.