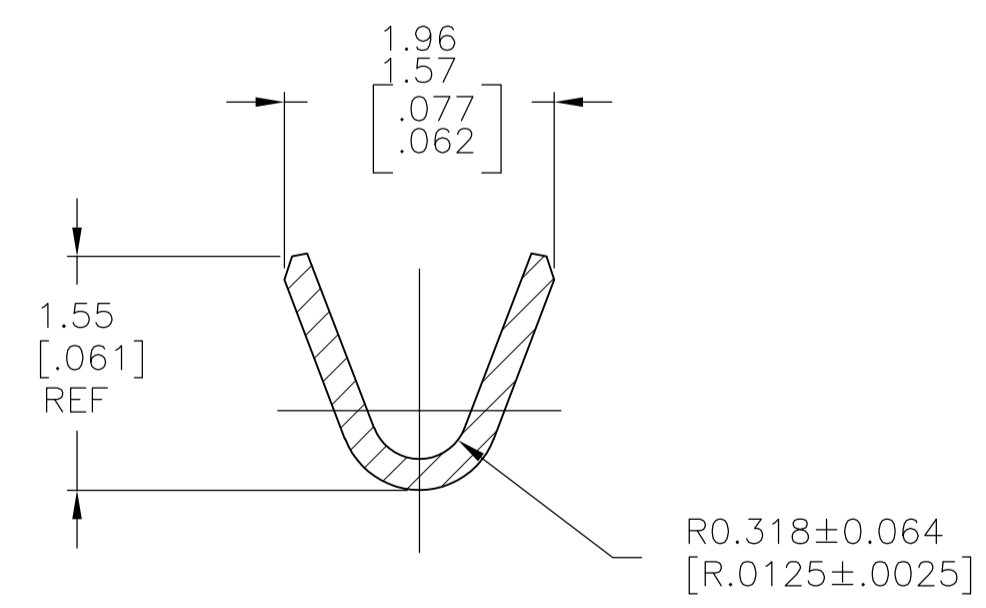
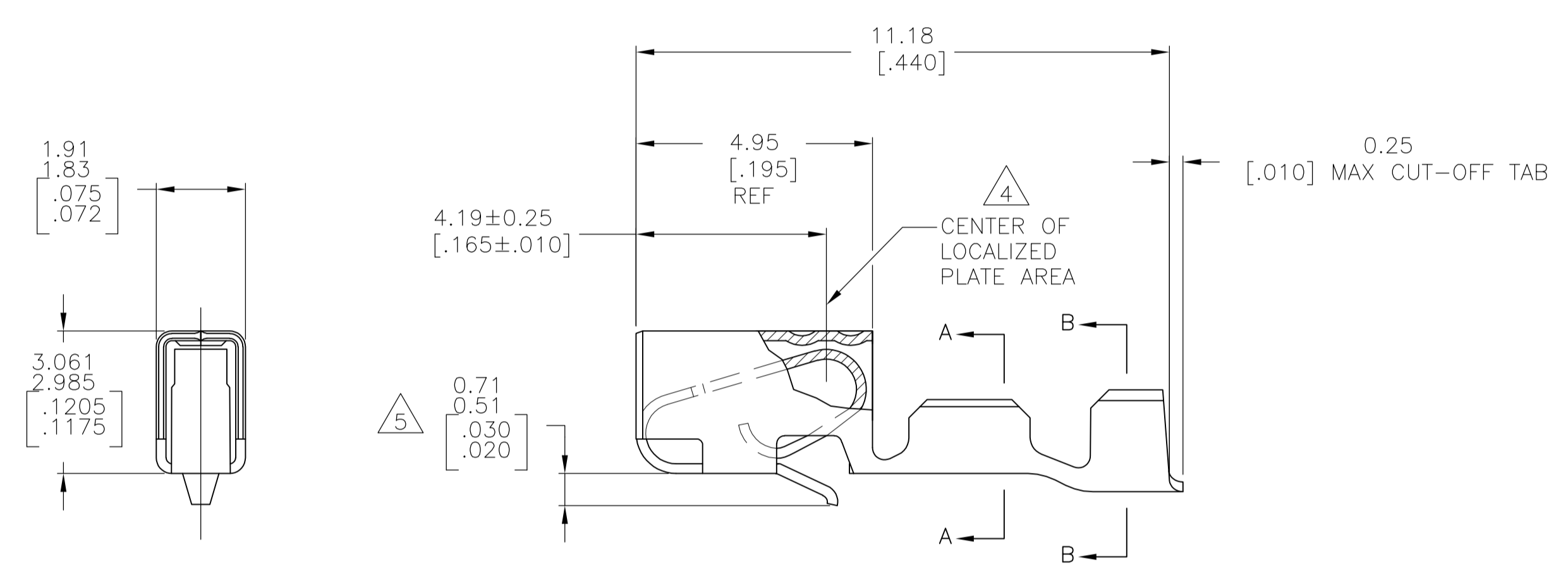
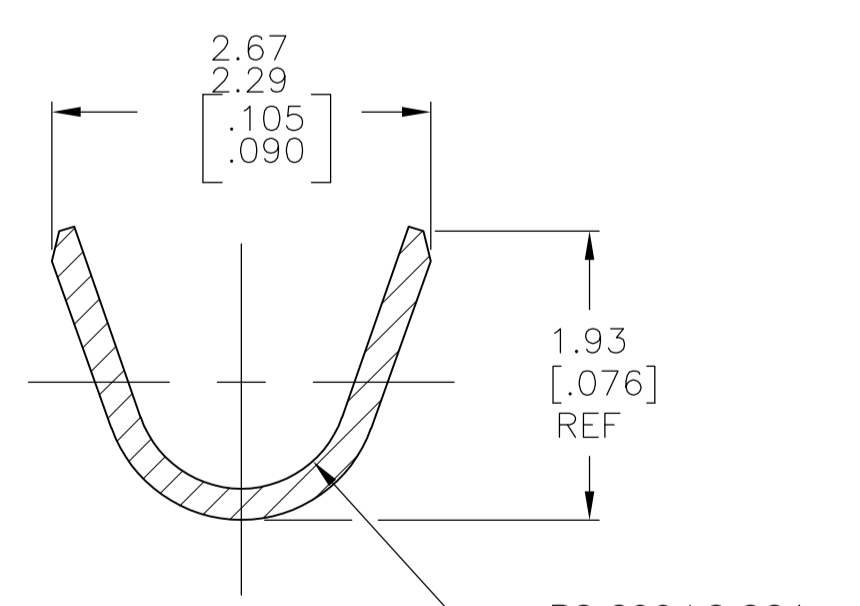


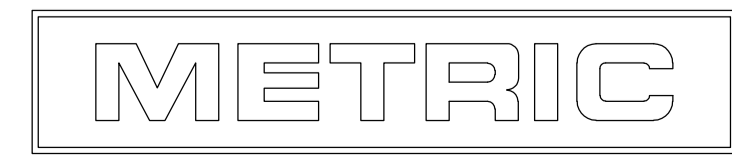
1. WIRE RANGE 0.13-0.35 mm² (26-22 AWG).
 2. INSULATION RANGE: 0.89-1.65 [.035-.065] DIA LARGER SIZES OF 0.68-1.91 [.066-.075] DIA INSULATION REQUIRE WIRE AND CRIMP EVALUATION FROM AMP INCORPATED.
 3. DIMENSIONS IN BRACKETS ARE IN INCHES.
- △ 4 0.00076 [.000030] MIN THK GOLD STRIPES IN LOCALIZED PLATE AREA ON BEAM AND DIMPLE OVER 0.00127 [.000050] MIN THK NICKEL OVER ENTIRE CONTACT
-OR-
OR GOLD FLASH OVER PALLADIUM-NICKEL STRIPES, .00076 [.000030] MIN THK TOTAL IN LOCALIZED PLATE AREA ON BEAM AND DIMPLE OVER .00127 [.000050] MIN NICKEL OVER ENTIRE CONTACT.
- △ 5 AFTER PACKAGING AND SHIPMENT, A LANCE HEIGHT 0.46-0.71 [.018-.030] IS PERMISSABLE.



SECTION A-A
SCALE 20:1



SECTION B-B
SCALE 20:1



| | |
|---------|----------|
| △ | 770666-2 |
| PRE-TIN | 770666-1 |
| FINISH | PART NO. |

| | | | | |
|--|----------------------|----------------------------------|-----------|---------------|
| THIS DRAWING IS A CONTROLLED DOCUMENT. | | DIN | T. BECK | 01MAR91 |
| DIMENSIONS: mm [INCHES] | | CHK | R. SWING | 01MAR91 |
| TOLERANCES UNLESS OTHERWISE SPECIFIED: | | APVD | D. CLARK | 05MAR91 |
| 0 PLC | ± - | NAME | | |
| 1 PLC | ± - | RECEPTACLE, CST-100, LOOSE PIECE | | |
| 2 PLC | ± - | PRODUCT SPEC | | |
| 3 PLC | ± 0.13 [.005] | APPLICATION SPEC | | |
| 4 PLC | ± - | RESTRICTED TO | | |
| ANGLES | ± - | SIZE | CAGE CODE | DRAWING NO |
| MATERIAL | 0.19B [.0078] PH BRZ | WEIGHT | A1 | 00779C=770666 |
| FINISH | SEE TABLE | CUSTOMER DRAWING | SCALE | 10:1 |
| | | SHEET | 1 | OF 1 |
| | | REV | J1 | |